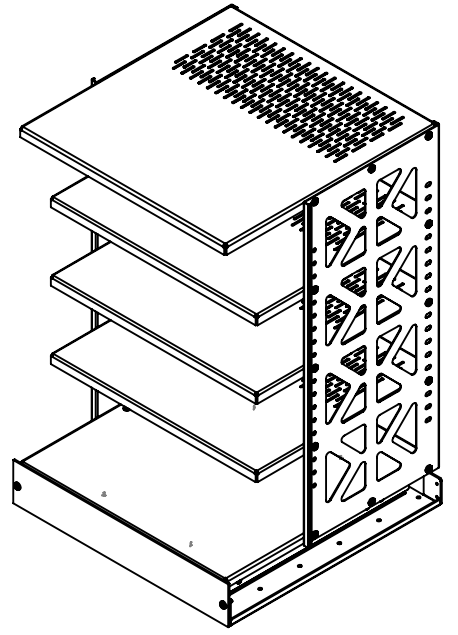
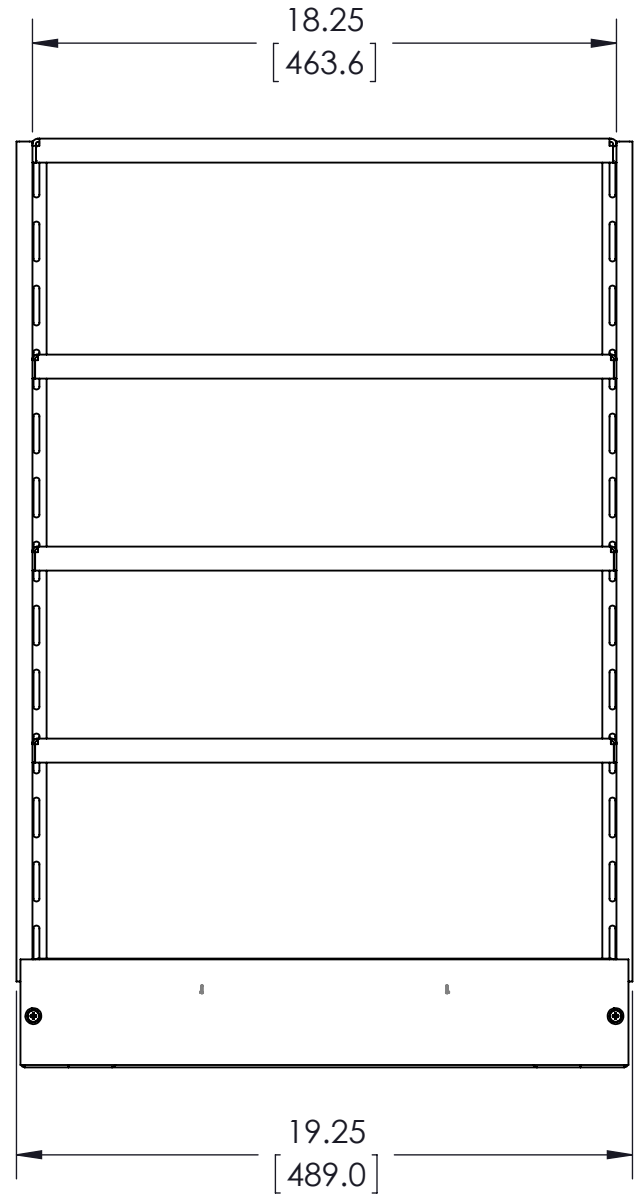
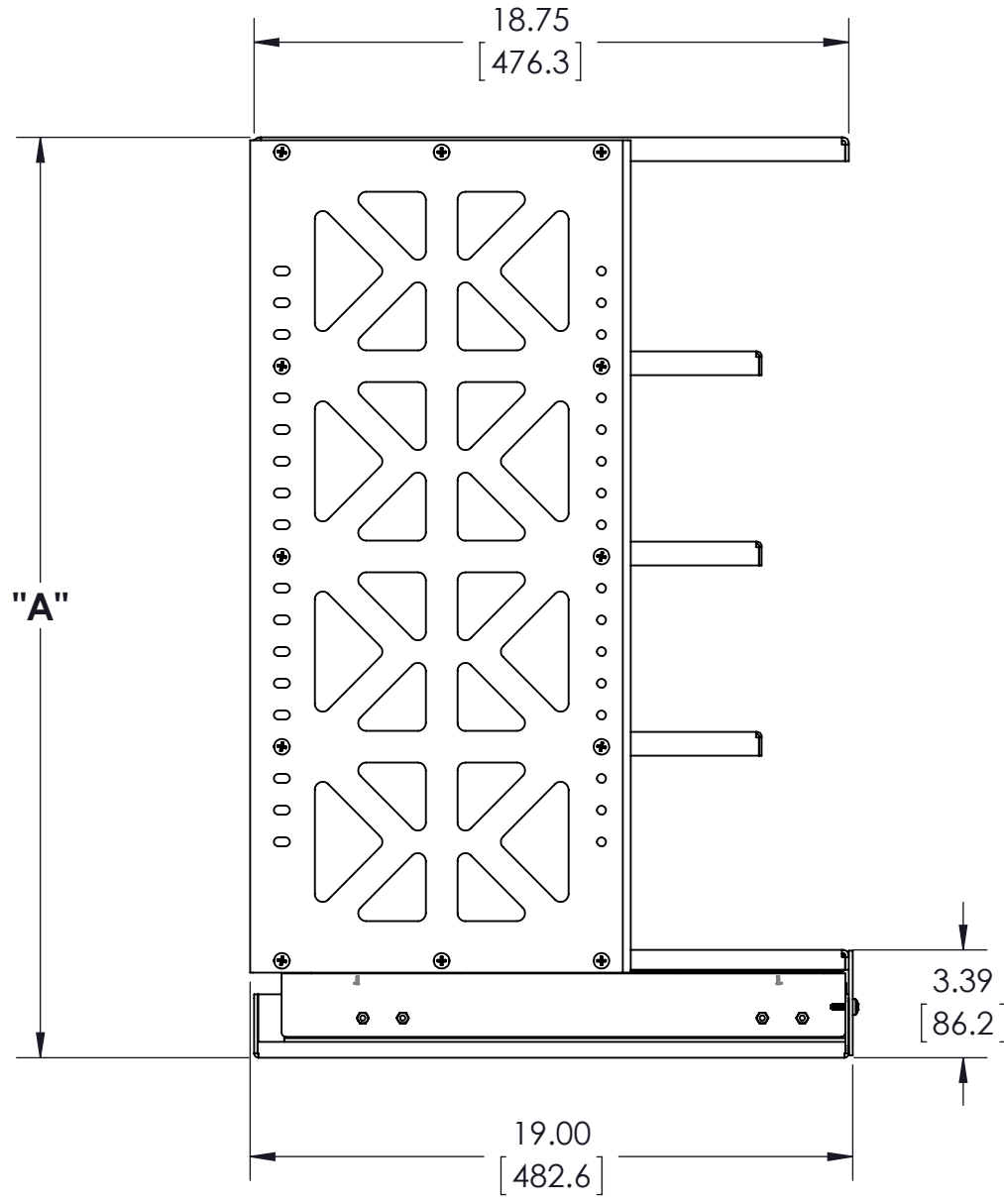


MODEL	"A" HEIGHT	USABLE DEPTH	NUMBER OF SELVES
STROTR-30	29.0 [737mm]	18.75 [476mm]	3 SHELVES
STROTR-36	35.0 [889mm]	18.75 [476mm]	4 SHELVES
STROTR-42	41.0 [1041mm]	18.75 [476mm]	5 SHELVES

STATUS 状态: LP 08/17/2012 - RELEASED ON ECO: 500006393

TECH-000081



SYMBOLS 符号
REVISION CHANGE 版本变更 ▲##
INSPECTION 检验 ○.XXX
ITEM NUMBER 编号 ##
REFERENCE DIM. 参考尺寸 (.XXX)

THE INFORMATION AND DESIGNS CONTAINED IN THIS DRAWING ARE CONFIDENTIAL AND THE PROPRIETARY PROPERTY OF MILESTONE AV TECHNOLOGIES NEITHER THIS DESIGN NOR ANY INFORMATION CONTAINED IN THIS DRAWING MAY BE REPRODUCED OR DISCLOSED TO OTHERS WITHOUT THE EXPRESS WRITTEN CONSENT OF MILESTONE AV TECHNOLOGIES. 本图纸所包含的信息和设计均系 Milestone 机密和知识产权，本图纸所包含的设计和信息在未经 Milestone 允许情况下均不得复制或泄露

THIRD ANGLE PROJECTION 第三角度投影
DIMS. AND TOLERANCES PER ASME Y14.5 - 1994 按照ASME Y14.5 - 1994 规定的尺寸和公差
SPECIFICATIONS 规范 8900-000001 8900-000002
TOOL NO. 模具编号

UNLESS OTHERWISE SPECIFIED 除非另有说明
.X ±.100 [X] ±2.5mm FRACTION分数 ±1/16
.XX ±.030 [X.X] ±.75mm ANGULAR角度 ±0°30'
.XXX ±.010 [X.XX] ±.25mm SURFACE FINISH 125
.XXXX ±.005 [X.XXX] ±.13mm 表面加工
MATERIAL 材质
BREAK ALL SHARP EDGES 除去所有毛边

CAD GENERATED DRAWING, DO NOT MANUALLY UPDATE. CAD 制作图, 非手工更新		
DRAWN BY 绘图者	LRP	7/17/2012
ENG APPROVAL 工程批准	LRP	7/17/2012
MFG APPROVAL 制造批准		
QA APPROVAL 品质批准		
SHEET 清 1 OF 单 1	SCALE 比例 1:16	SIZER 尺寸 DWG. NO. 图纸编号 B TECH-000081

milestone AV Technologies	6436 CITY WEST PKWY EDEN PRAIRIE MN, 55344 PHONE: 866-977-3901 FAX: 877-894-6918
DESCRIPTION 描述	STEEL ROTR SHELVES/TOP/BASE BLACK
REV. 修订	01