



ASSEMBLY INSTRUCTIONS FOR SFRK-4

PARTS:

- 2 - 4 SPACE RACK RAIL
- 2 - SIDES
- 1 - TOP
- 1 - BOTTOM

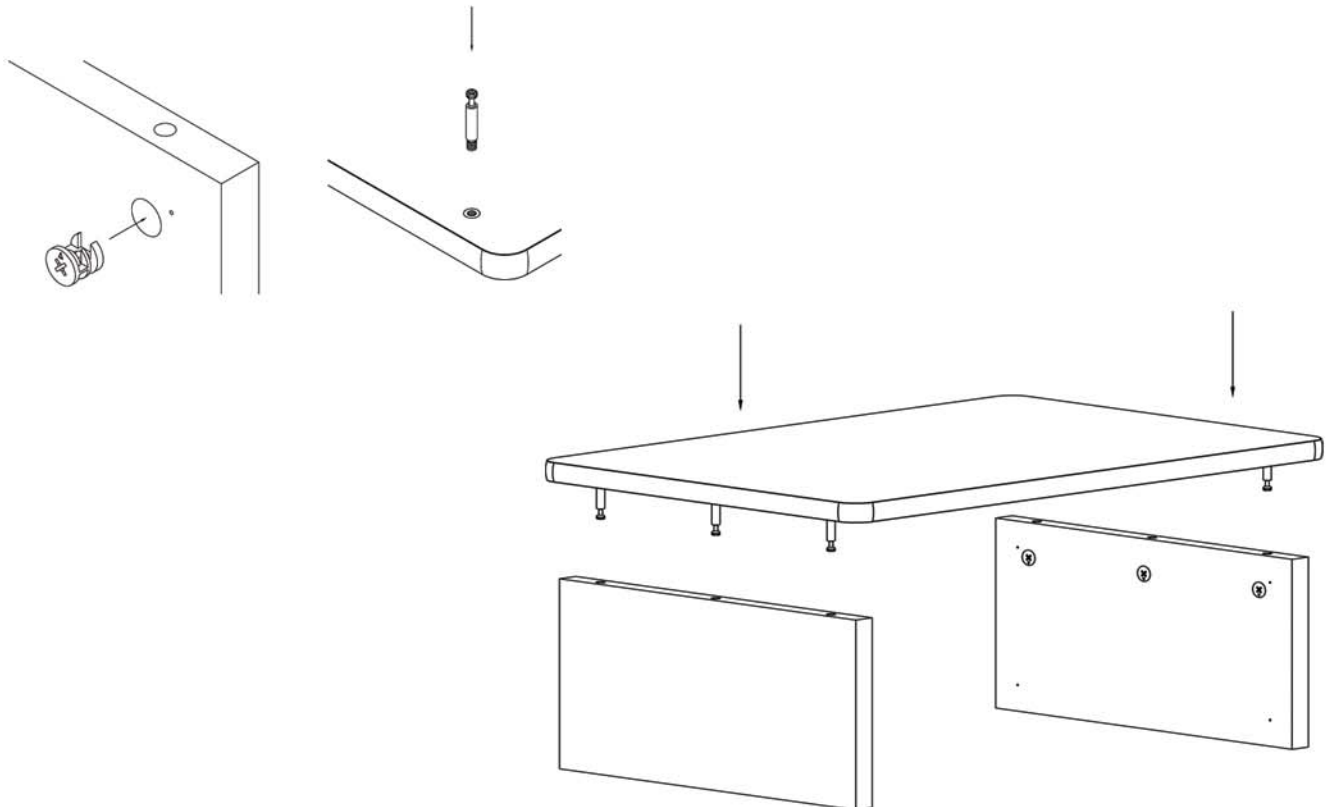
HARDWARE:

- 4 - 10-5/8" WOOD SCREW
- 6 - CONFORMAT SCREWS
- 6 - CAMS
- 6 - CAM STUDS
- 6 - CONFORMAT CAPS

TOOLS NEEDED: PHILLIPS SCREWDRIVER

STEP 1.

INSTALL CAM STUD INTO THE PLASTIC INSERTS IN TOP.
INSTALL THE CAMS INTO THE HOLES IN THE SIDES.



STEP 2.

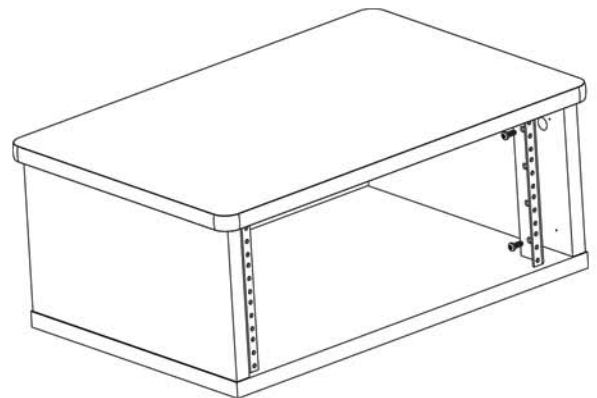
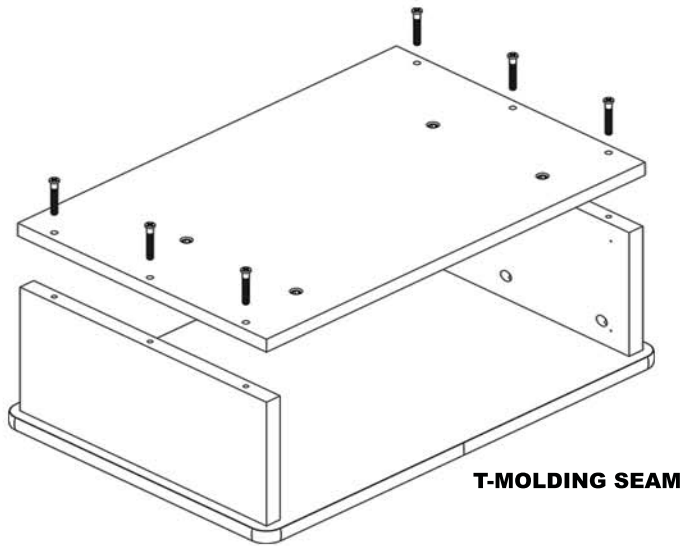
TURN THE CAMS TO MAKE SURE THE ARROW ON THE CAM IS POINTING TOWARD THE EDGE OF THE WOOD. PLACE TOP ON THE SIDES BY MAKING SURE THE STUDS GO INTO THE HOLES. ONCE THE TOP IS ON ALL THE WAY, TURN THE CAMS WITH A SCREW DRIVER TO LOCK THE TOP TO THE SIDES.



CONTINUED ASSEMBLY INSTRUCTIONS FOR SFRK-4

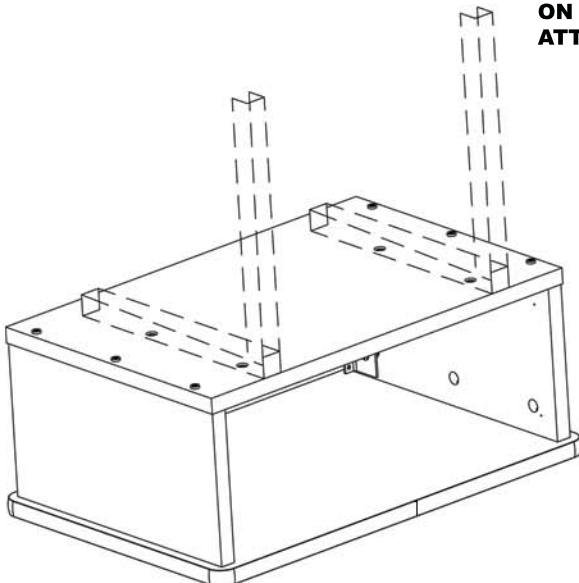
STEP 3.

LOOK AT THE T-MOLDING THAT IS LOCATED ON THE EDGE OF THE TOP. YOU WILL SEE THE SEAM WHERE THE T-MOLDING COMES TOGETHER. THIS WOULD BE THE BACK OF THE UNIT. NOW USING THE CONFORMAT SCREWS, ATTACH THE BOTTOM TO THE SIDES. MAKE SURE THE BRACKET HOLES ARE ON THE BOTTOM AND FACING TOWARD THE BACK OF THE UNIT.



STEP 4.

ON THE INSIDE FRONT OF THE UNIT, USING THE 4 BLACK WOOD SCREWS ATTACH THE RACK RAIL TO THE SIDES.



STEP 5.

ATTACHE THE BRACKETS TO THE BOTTOM. MAKE SURE THE BRACKETS FACE THE BACK OF THE UNIT.

