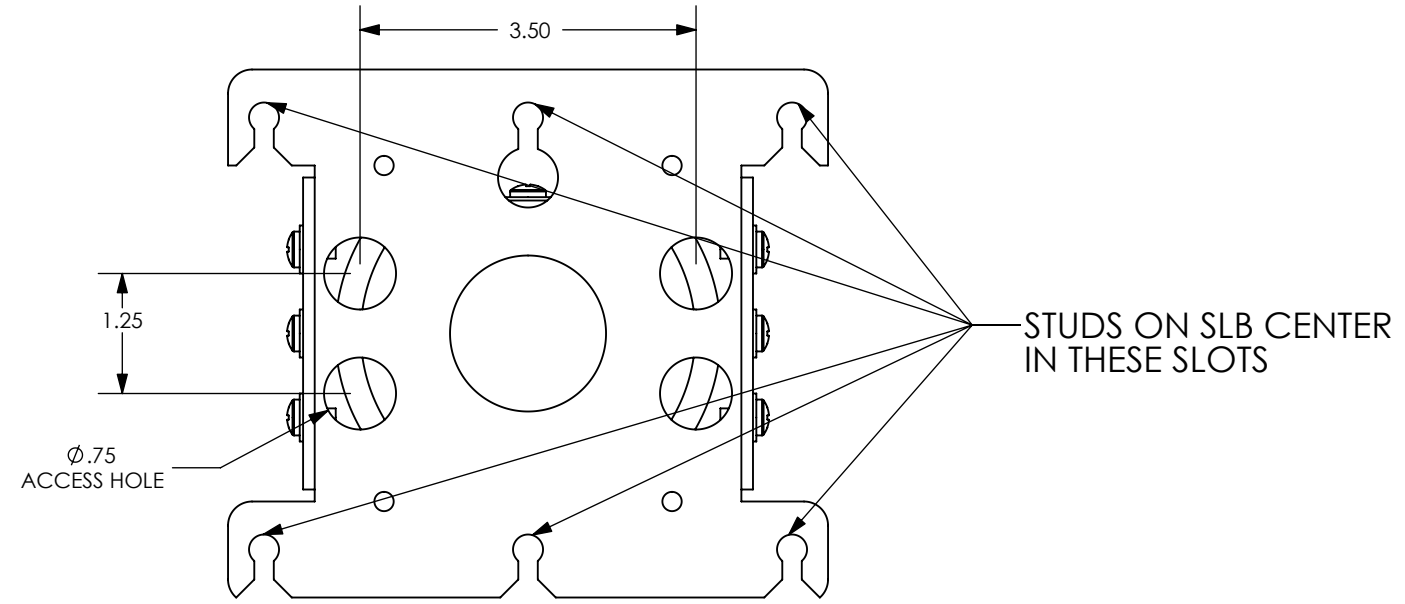
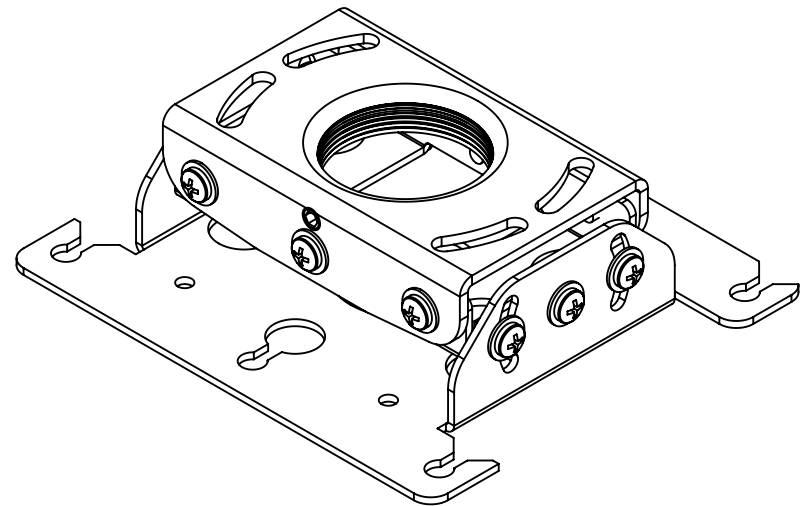
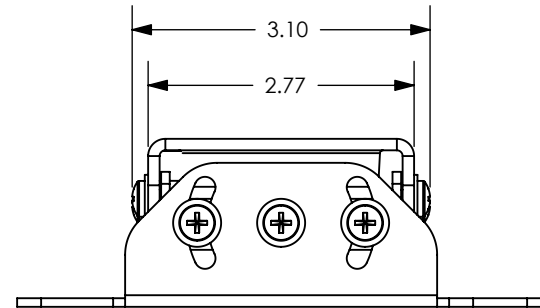
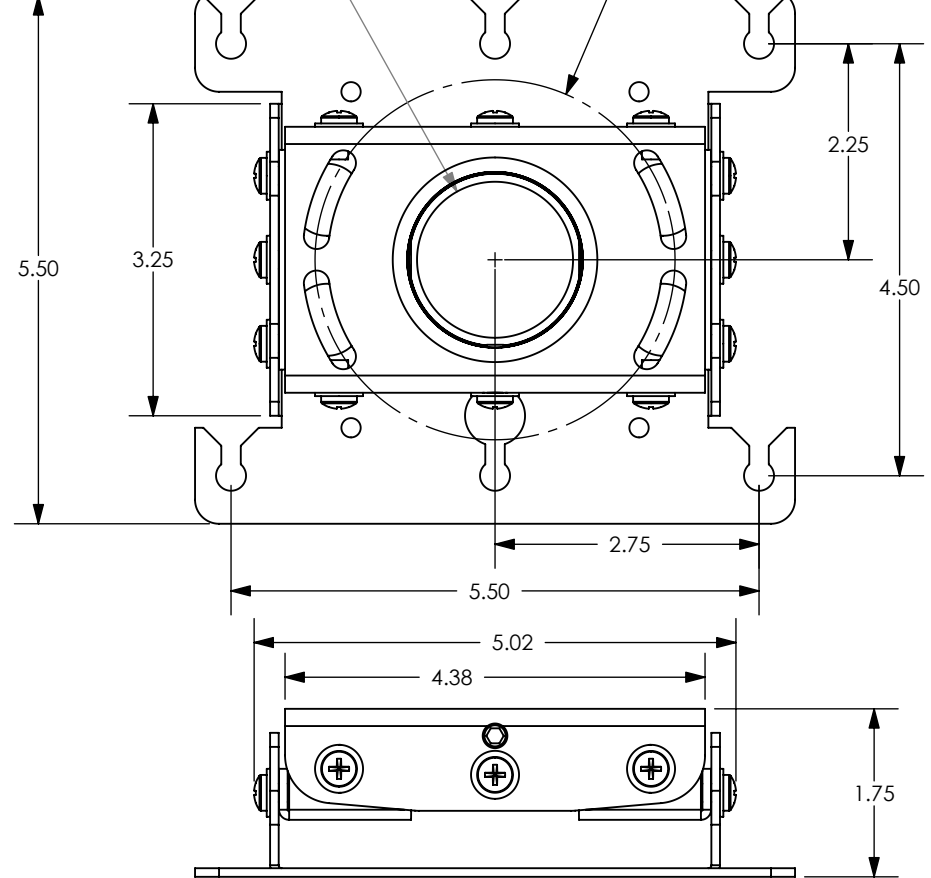


1 1/2" NPT
 Ø3.75 BOLT CIRCLE



NOTE: CUSTOM INTERAFCE BRACKET NOT SHOWN. THE CUSTOM INTERFACE BRACKET NEEDED FOR YOUR PROJECTOR WILL ADD DEPTH TO SINTALLATION AND WILL AFFECT LOCATION OF PROJECTOR ON MOUNT.

SEE SLB-XXXX DRAWING ALSO.



CHIEF MANUFACTURING INC.
MOUNT ORDER NUMBER IS RPA-000
PHONE: 1-800-582-6480

SHEET SCALE = 1:2

THE INFORMATION AND DESIGNS CONTAINED IN THIS DRAWING ARE CONFIDENTIAL AND THE PROPRIETARY PROPERTY OF CHIEF MFG., INC. NEITHER THIS DESIGN NOR ANY INFORMATION CONTAINED IN THIS DRAWING MAY BE REPRODUCED OR DISCLOSED TO OTHERS WITHOUT THE EXPRESS WRITTEN CONSENT OF CHIEF MFG., INC.

CHIEF
 8401 EAGLE CREEK PKY
 SUITE #700
 SAVAGE, MN 55378
 PHONE: 952-894-6280
 FAX: 877-894-6918

TITLE
CUSTOMER PRINT
RPA-000

SIZE DWG. NO.
B RPA-000