

Instruction Sheet

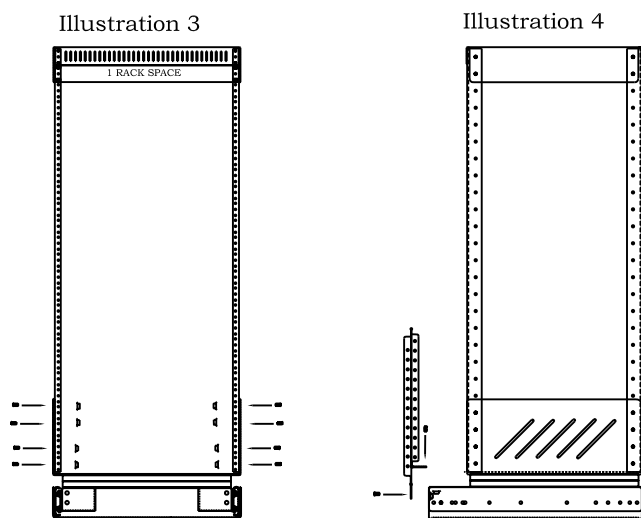
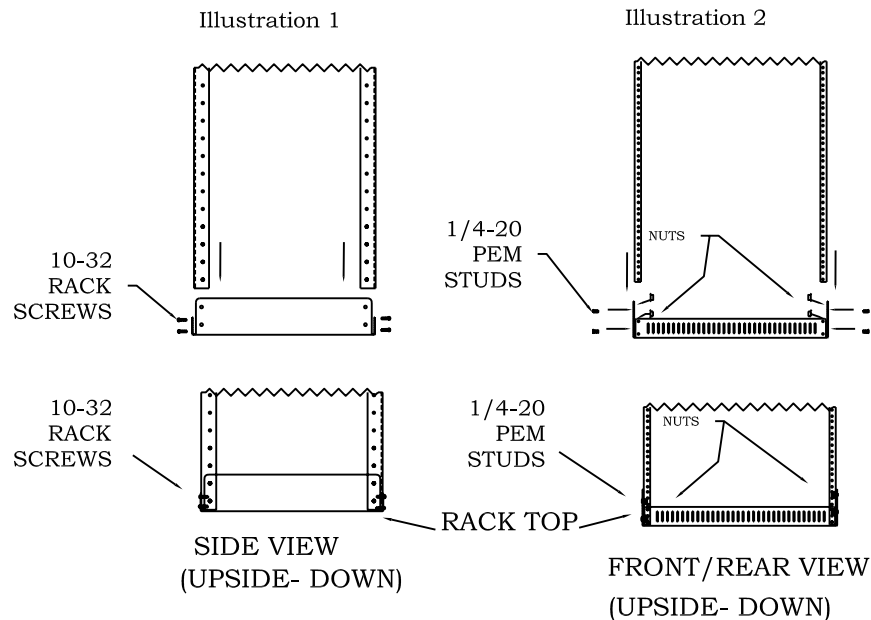
Raxxess ROTR-HD Heavy Duty

Step 1:

Lay the rack top on a table or on the floor, upside down as shown in Illustration 1. The top is about 19" x 18" x 3-1/2", as shown. Lift one of the four rack rails into position, in the corner of the rack, and fasten it with (2) 10-32 x 3/4" rack screws. The screws should go through the holes in the top, and into the threaded holes in the rack rail. Leave these loose for now. Then, do the same for the other three lengths.

Step 2:

Next, insert (2) 1/4-20 pem studs, (screws with really flat little heads), into the side holes of the rack, and again through each of the rails, and secure with the nuts provided. See Illustration 2. Now tighten all of the fasteners. Be careful not to over-tighten, they don't need much torque.



Step 3:

Turn the top assembly over, and place it on the rack as shown. Now line up 1/4-20 pem studs (same headless wonders as before) into the sides and the rails, and secure them in place with the same nuts as before. See Illustration 3.

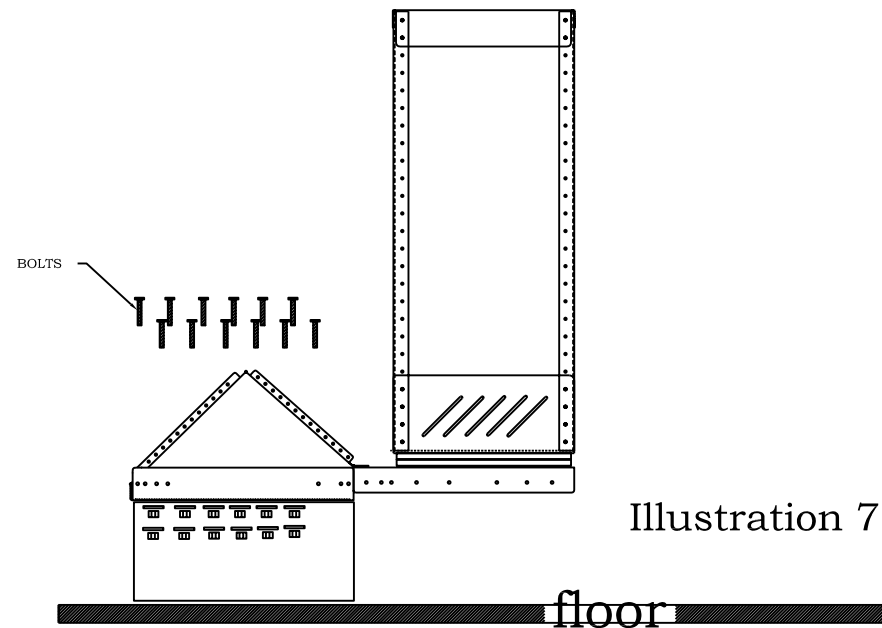
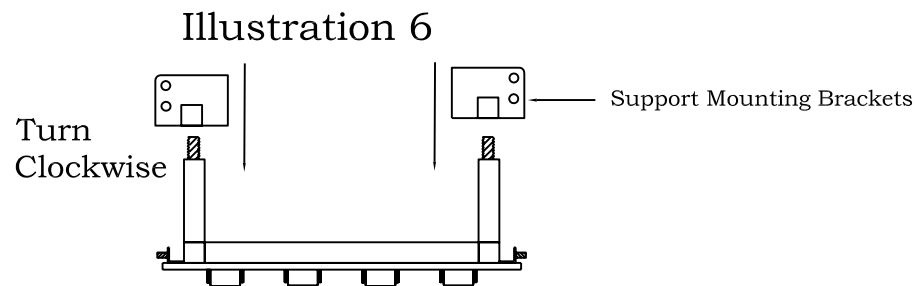
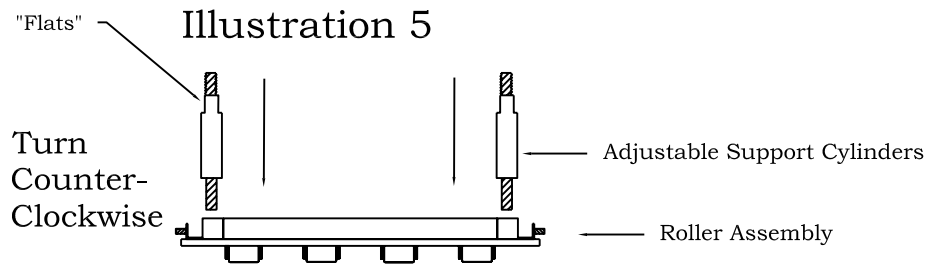
Again, it is usually easier when you leave them loose until the last is in place, then tighten.

Step 4:

The cable carriers fasten to both the stationary base of the unit, and the slide-out portions of the rack, using the same pem studs and nuts, as shown in Illustration 4.

Instruction Sheet

Raxxess ROTR-HD Heavy Duty



Step 5.

The rack can now be attached to the floor of a cabinet, or the pedestal or stand that you have prepared for it. We recommend attaching the roll-out support assembly to the rack directly after doing so.

The Support Cylinders have left handed threads at the bottom, and right handed threads at the top. Thread the cylinders onto the roller assembly, TURNING COUNTER-CLOCKWISE, until they are all the way in. See Illustration 5.

The Support Mounting Brackets thread onto the tops of the cylinders as shown in Illustration 6. These will thread in the opposite direction, so you should turn them "clockwise" until they are all the way in.

Step 6:

You are now ready to attach the support mechanism to the rack.

Remove the (2) screws in the front that hold the decorative cover plate in place, and remove the plate. Remember that the rack will now slide open, and must be held in place, to keep from doing so.

Place the rack on the platform onto which it will be mounted, as in Illustration 7.

Bolt the rack in place.

IMPORTANT SAFETY NOTE: THE RACK MUST BE SECURELY ATTACHED TO THE CABINET OR BASE, AND THE SUPPORT MECHANISM MUST BE USED AT ALL TIMES WHEN OPENING THE UNIT FOR ANY REASON.

Instruction Sheet

Raxxess ROTR-HD Heavy Duty

Illustration 8

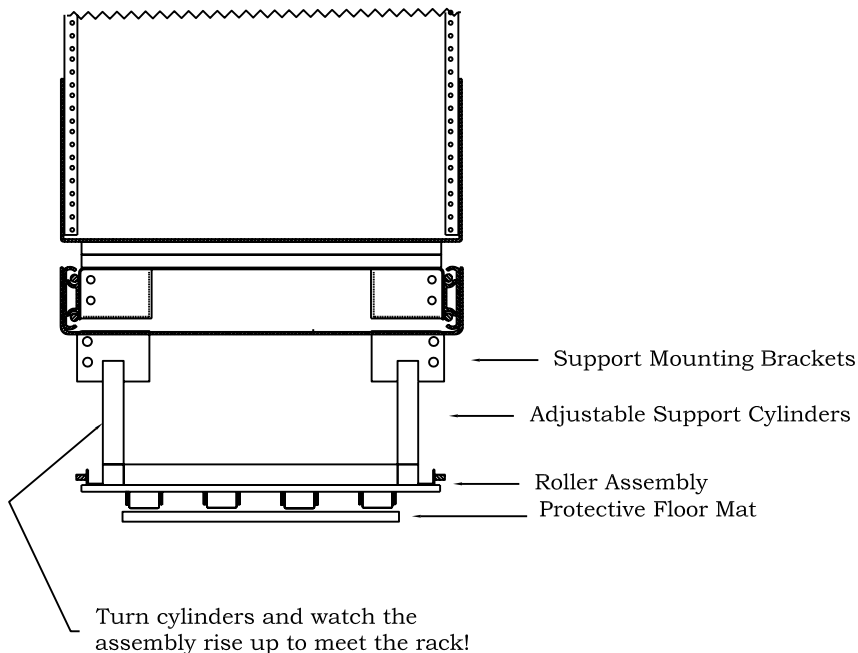
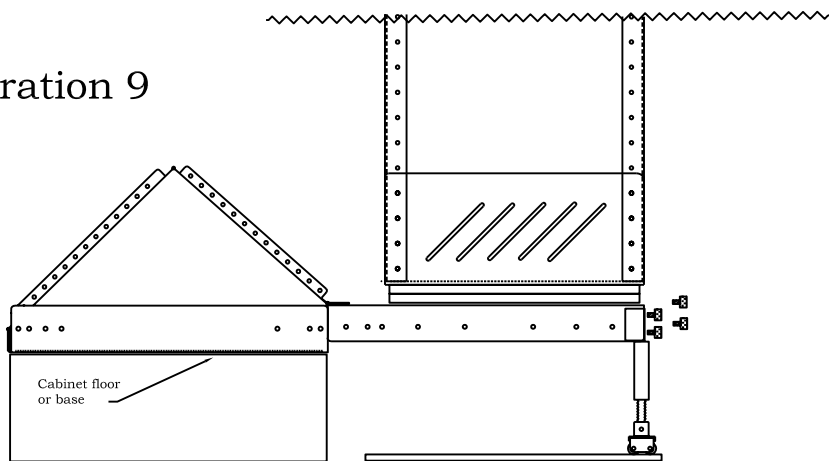


Illustration 9



Step 7:

Place the floor protector about 4" in front of the rack.

Place the support assembly in front of the rack, with the rack open about 3-4 inches.

The support assembly should be lower than the rack, as in Illustration 8. When you turn the cylinders, you will notice that the Mounting brackets raise up in one direction, and lower when you turn in the other direction.

Turn the cylinders "counter-clockwise" until the mounting brackets come up to the height of the matching holes in the front of the rack.

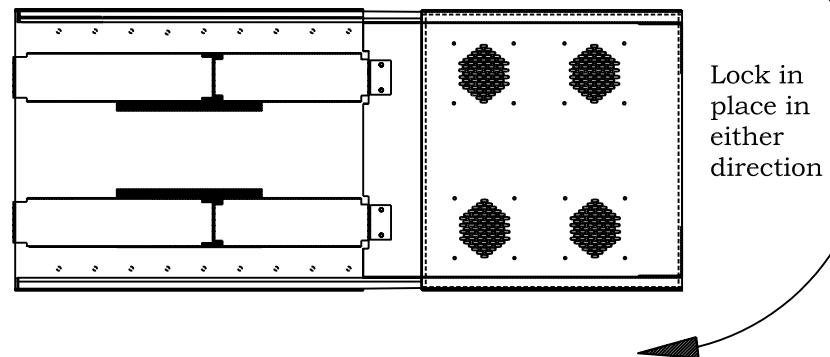
Note that you will need to keep the fronts of the brackets close to the rack, in order to catch the "Hems" in the brackets under the mating brackets in the front of the unit.

Attach the roller assembly brackets to the front of the rack, using the (4) 3/8" cap screws, as in Illustration 9. Tighten with the hex key supplied. The unit should now roll in and out freely, and when you unlock the pull ring in the front, you will be able to swivel the unit, to gain access to the rear. See Illustration 10.

When you complete the installation or servicing, you can store the roller assembly under the front of the unit.

After closing the unit, cover the mechanism with the decorative cover plate supplied, attached with the (2) 1/4-20 screws.

Illustration 10



Overhead view-