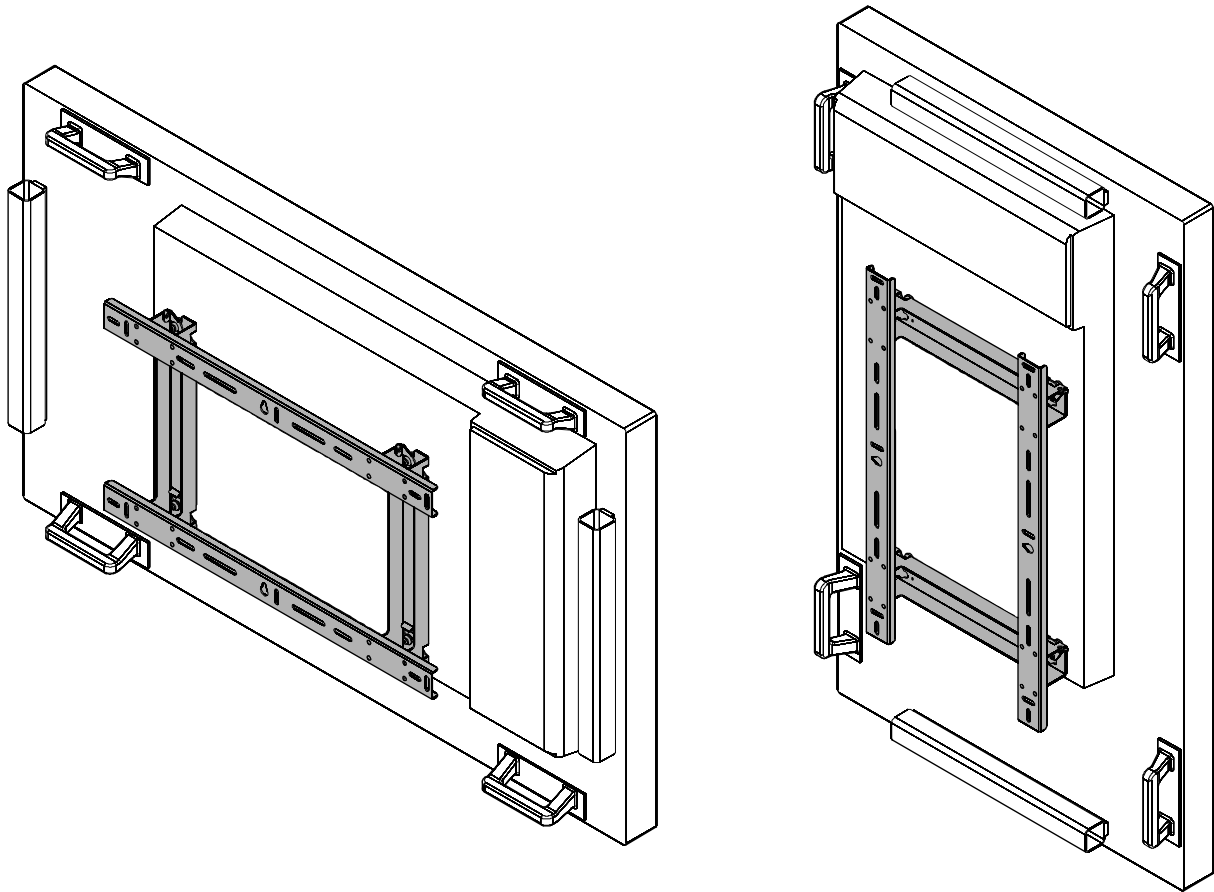


---

# INSTALLATION INSTRUCTIONS

---



---

## Large Flat Panel Landscape/Portrait Static Wall Mount


---


## DISCLAIMER


Milestone AV Technologies and its affiliated corporations and subsidiaries (collectively "Milestone"), intend to make this manual accurate and complete. However, Milestone makes no claim that the information contained herein covers all details, conditions or variations, nor does it provide for every possible contingency in connection with the installation or use of this product. The information contained in this document is subject to change without notice or obligation of any kind. Milestone makes no representation of warranty, expressed or implied, regarding the information contained herein. Milestone assumes no responsibility for accuracy, completeness or sufficiency of the information contained in this document.


Chief® is a registered trademark of Milestone AV Technologies. All rights reserved.


## IMPORTANT WARNINGS AND CAUTIONS!

 **WARNING:** A WARNING alerts you to the possibility of serious injury or death if you do not follow the instructions.



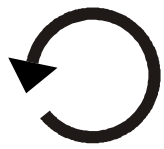



 **CAUTION:** A CAUTION alerts you to the possibility of damage or destruction of equipment if you do not follow the corresponding instructions.

 **WARNING:** Failure to read, thoroughly understand, and follow all instructions can result in serious personal injury, damage to equipment, or voiding of factory warranty! It is the installer's responsibility to make sure all components are properly assembled and installed using the instructions provided.

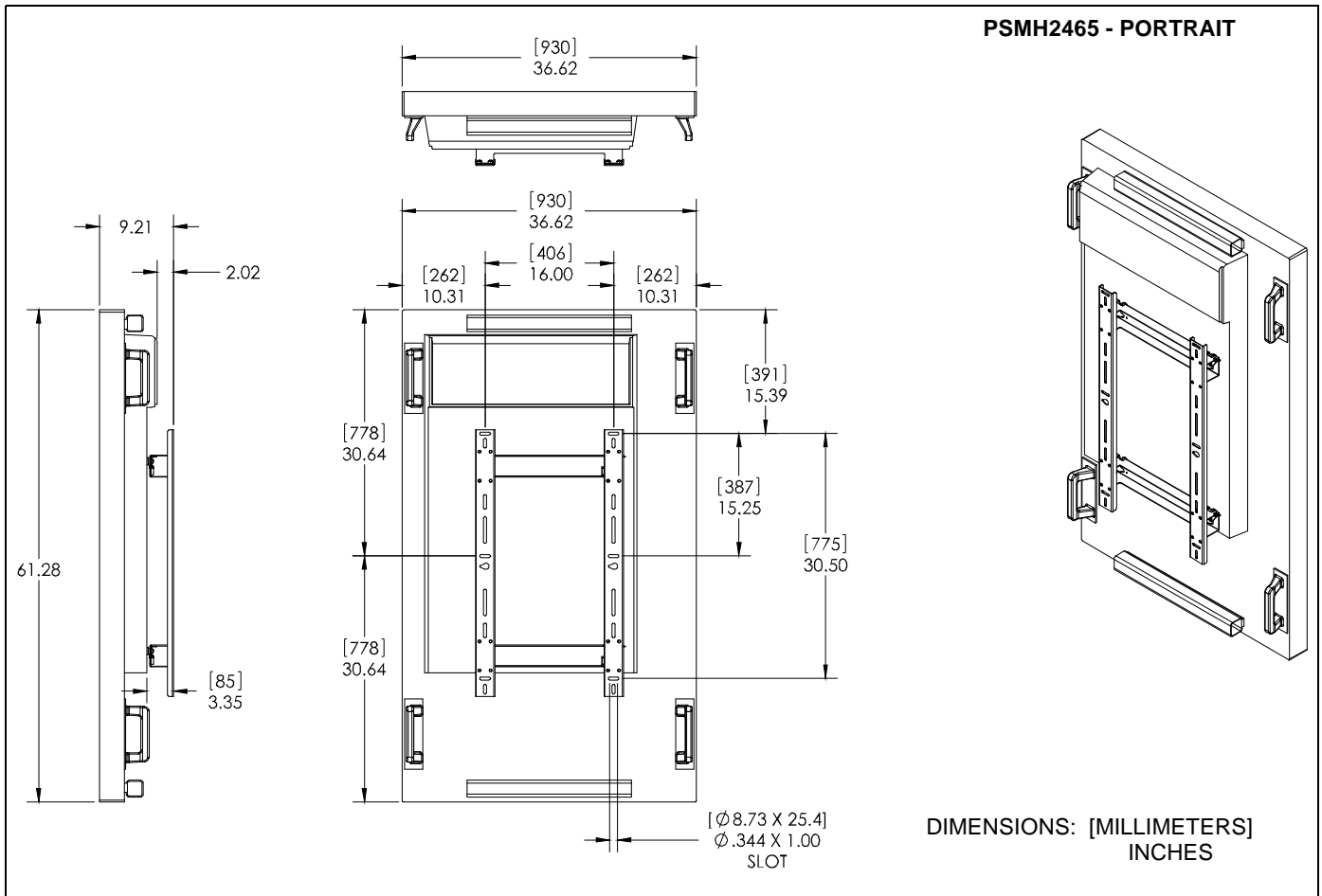
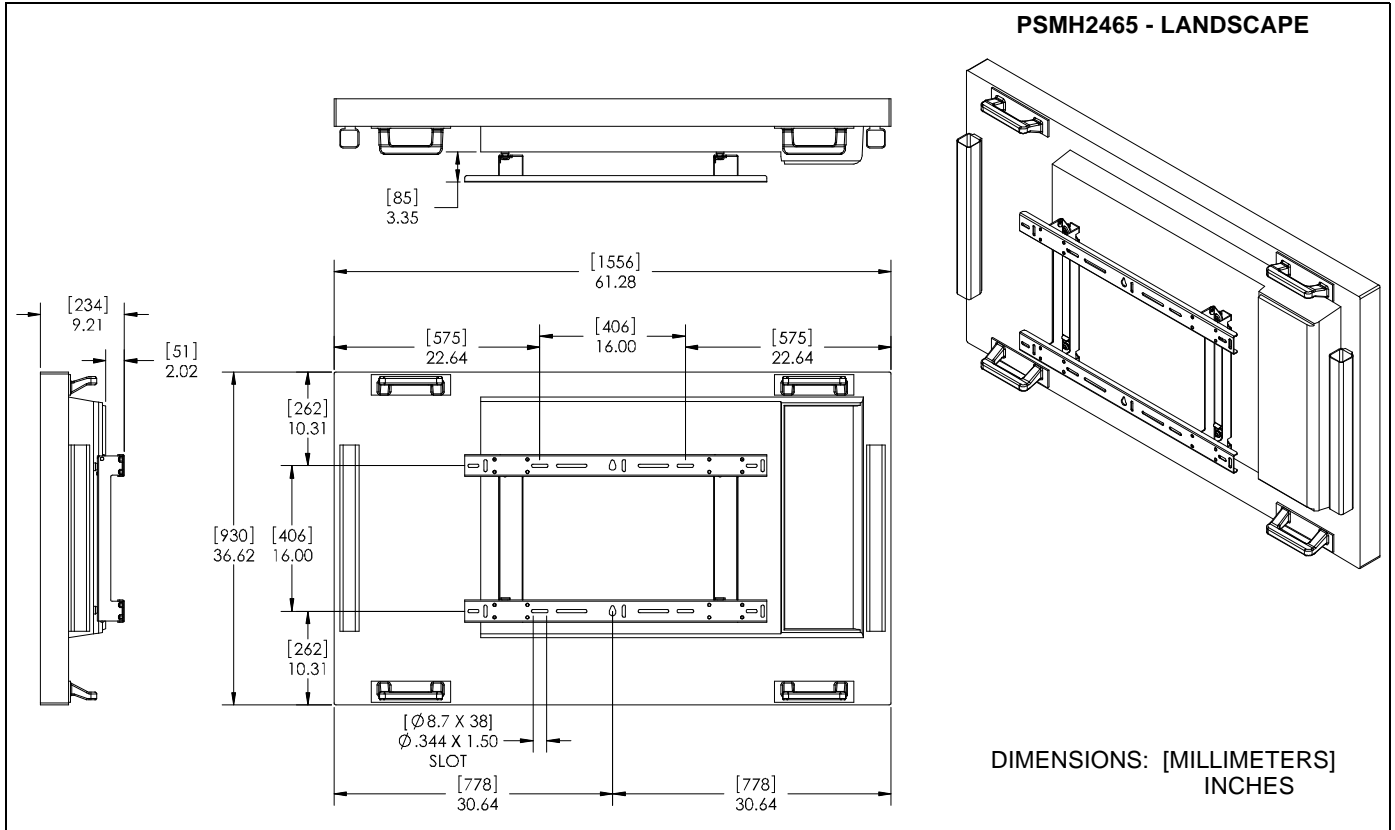
 **WARNING:** Failure to provide adequate structural strength for this component can result in serious personal injury or damage to equipment! It is the installer's responsibility to make sure the structure to which this component is attached can support a minimum of 900 lbs (408.2 kg). Reinforce the structure as required before installing the component. The wall to which the mount is being attached may have a maximum drywall thickness of 5/8" (1.6cm) on a wood stud wall; and a minimum drywall thickness of 1/2" on a steel stud wall.

 **WARNING:** Exceeding the weight capacity can result in serious personal injury or damage to equipment! It is the installer's responsibility to make sure the combined weight of all components attached to the mount does not exceed 225 lbs (102.1 kg) if being installed on a steel stud wall with a minimum 1/2" thick drywall, or on a wood stud wall with a maximum 5/8" thick drywall.

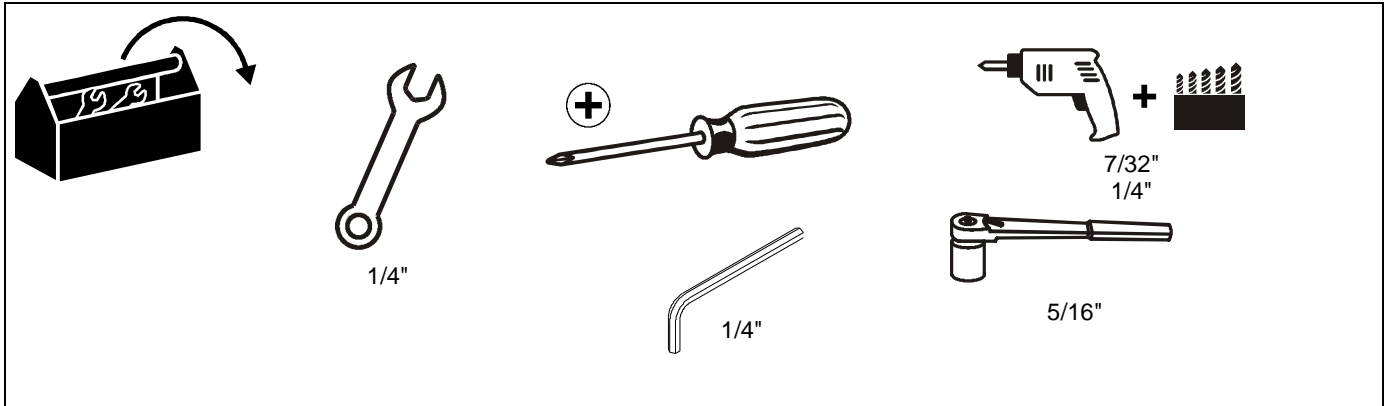
## LEGEND

	<b>Tighten Fastener</b>		<b>Pencil Mark</b>
	Apretar elemento de fijación		Marcar con lápiz
	Befestigungsteil festziehen		Stiftmarkierung
	Apertar fixador		Marcar com lápis
	Serrare il fissaggio		Segno a matita
	Bevestiging vastdraaien		Potloodmerkten
Serrez les fixations	Marquage au crayon		
	<b>Loosen Fastener</b>		<b>Drill Hole</b>
	Aflojar elemento de fijación		Perforar
	Befestigungsteil lösen		Bohrloch
	Desapertar fixador		Fazer furo
	Allentare il fissaggio		Praticare un foro
	Bevestiging losdraaien		Gat boren
Desserrez les fixations	Percez un trou		
	<b>Open-Ended Wrench</b>		<b>Hex-Head Wrench</b>
	Destornillador Phillips		Ajustar
	Kreuzschlitzschraubendreher		Einstellen
	Chave de fendas Phillips		Ajustar
	Cacciavite a stella		Regolare
	Kruiskopschroevendraaier		Afstellen
Tournevis à pointe cruciforme	Ajuster		

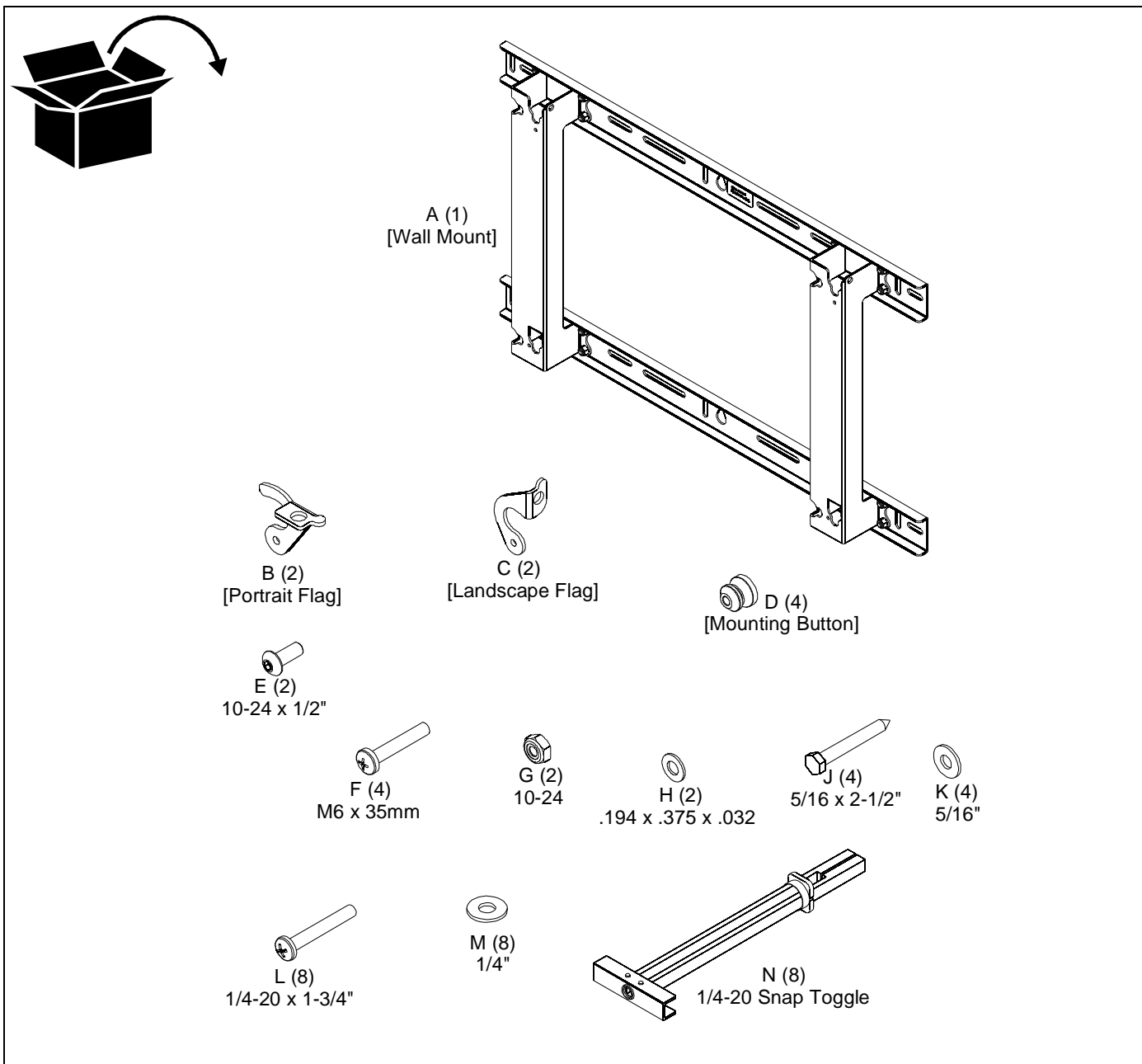
**DIMENSIONS**



**TOOLS FOR INSTALLATION**



**PARTS**



## ASSEMBLY AND INSTALLATION

The PSMH2465 is designed to allow the display to be mounted in either the Landscape or Portrait mode on either a 16" or 24" on-center wood stud or steel stud wall.

**NOTE:** Decide whether the PSMH2465 will be used in either the Landscape or Portrait mode, and proceed to either **Landscape Mount** or **Portrait Mount** section.

### Landscape Mount

#### Attaching Locking Flags

1. Attach locking flag (C) to wall mount (A) right vertical bracket using one 10-24 x 1/2" button head cap screw (E), one .194 x .375 x .032" spacer (H), and one 10-24 lock nut (G) through lower hole on locking flag and upper hole on wall mount right vertical bracket. Repeat with wall mount left vertical bracket. (See Figure 1)

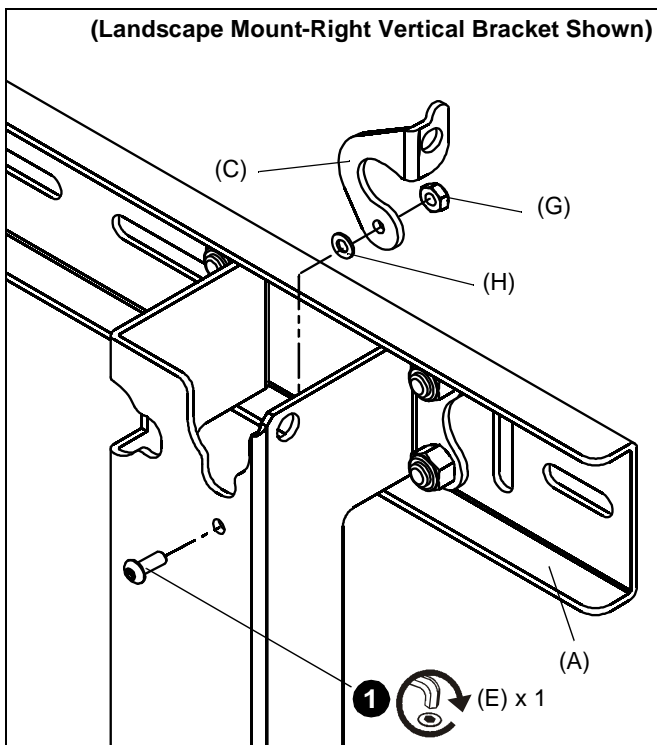


Figure 1

#### Attaching Mount to Wall

##### Wood Stud Wall



**WARNING:** IMPROPER INSTALLATION CAN LEAD TO DISPLAY FALLING CAUSING SERIOUS PERSONAL INJURY OR DAMAGE TO EQUIPMENT! It is the installer's responsibility to make sure the structure to which this mount is being attached can support a minimum of 900 lbs (408.2 kg). Reinforce the structure as required before installing this mount.

1. Place wall mount (A) against wall in desired installation location. (See Figure 2)

2. Level and adjust horizontal position making certain slots in the horizontal brackets are properly positioned over studs. (See Figure 2)
3. Using a pencil or similar marking tool, mark the location of mounting holes in horizontal brackets onto surface. (See Figure 2)
4. Drill four 7/32" pilot holes at marked locations. (See Figure 2)

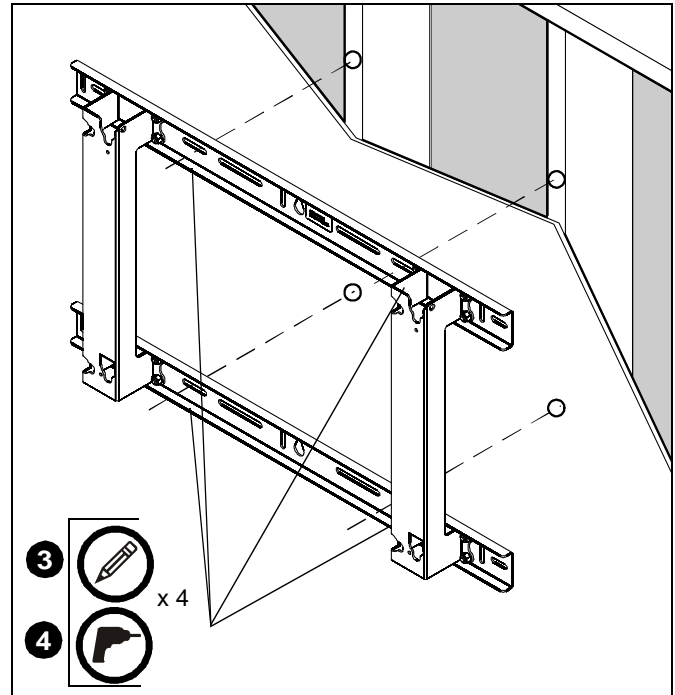


Figure 2

5. Secure wall mount (A) to studs using four 5/16 x 2-1/2" hex head lag screws (J) and four 5/16" flat washers (K). (See Figure 3)

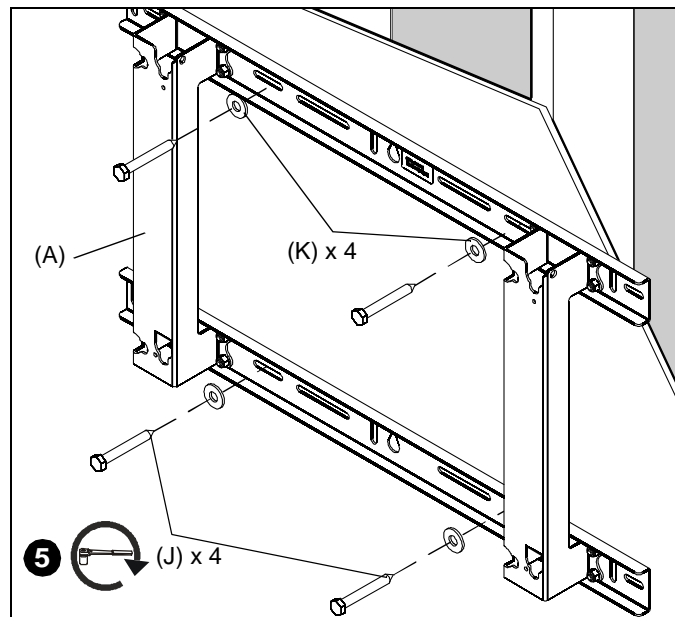


Figure 3

**NOTE:** Proceed to **Installing Display** section.

Steel Stud Wall

**⚠ WARNING:** IMPROPER INSTALLATION CAN LEAD TO EQUIPMENT FALLING CAUSING SERIOUS PERSONAL INJURY OR DAMAGE TO EQUIPMENT! The figure below identifies the minimum requirements for installation of display mounts onto a steel stud structure. If the structure or its components do not meet these requirements contact the mount manufacturer for specific instructions before attempting installation. It should also be noted that no other equipment should be mounted to the same stud.

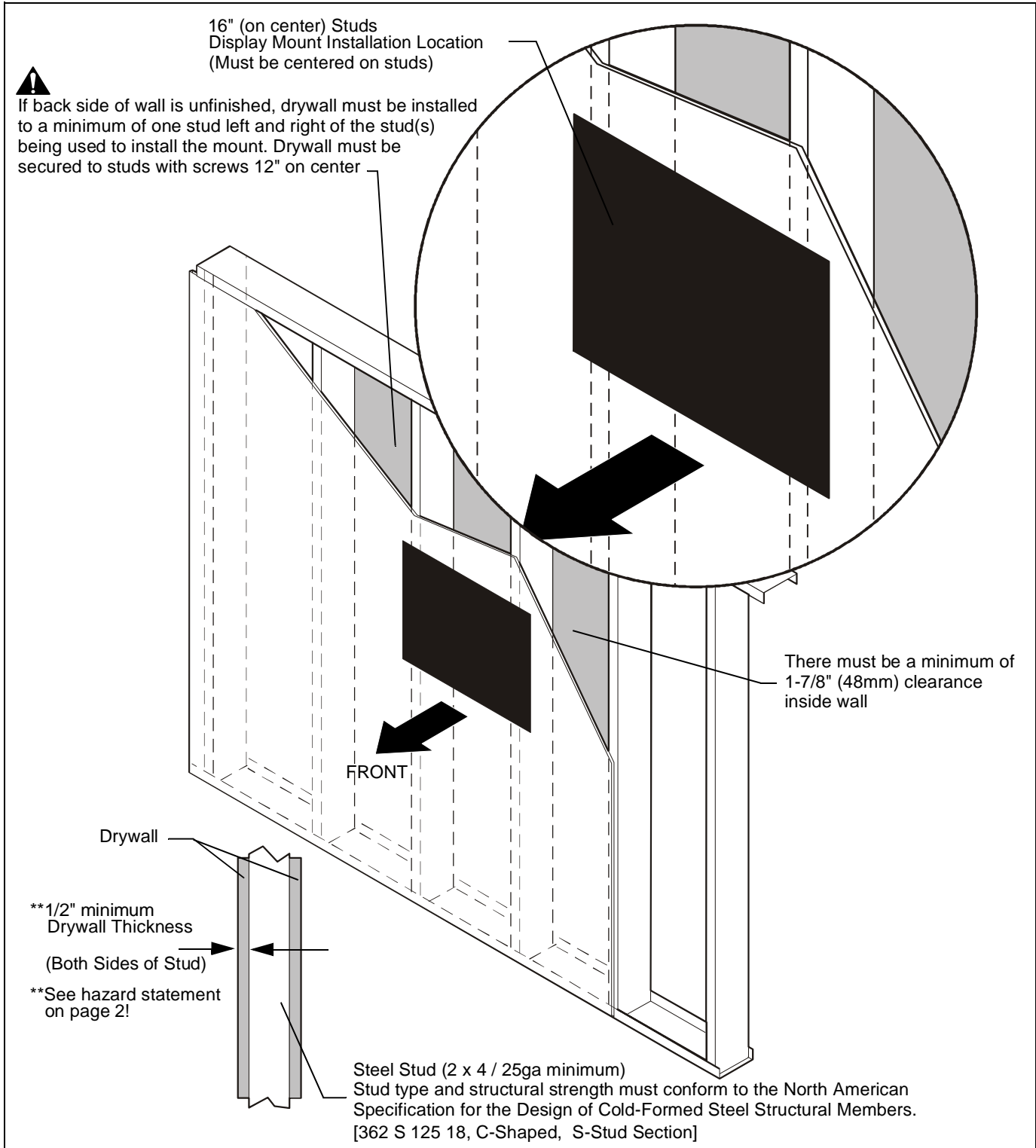
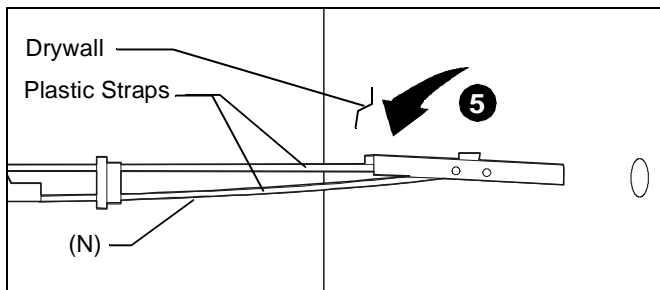


Figure 4



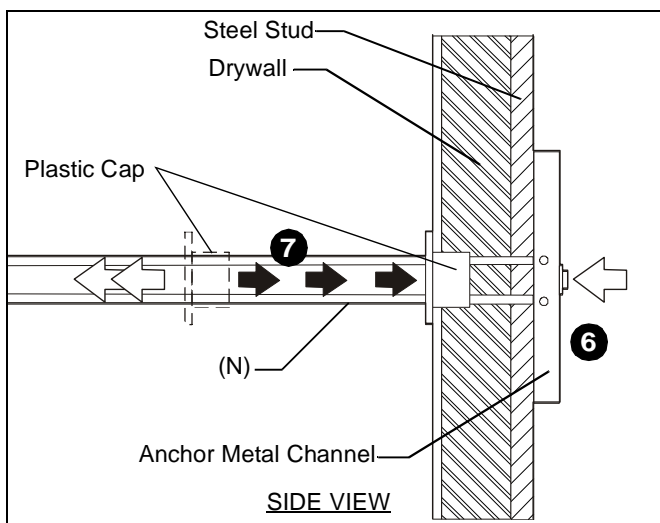
**WARNING:** IMPROPER INSTALLATION CAN LEAD TO DISPLAY FALLING CAUSING SERIOUS PERSONAL INJURY OR DAMAGE TO EQUIPMENT! It is the installer's responsibility to make sure the structure to which this mount is being attached can support a minimum of 900 lbs (408.2 kg). Reinforce the structure as required before installing this mount.

1. Identify desired mounting location on wall.
2. Align mounting holes in mount with studs making sure mounting holes are centered on studs.
3. Mark location of four mounting holes on wall. (See Figure 2)
4. Drill four 1/2" holes.
5. Hold metal channel on anchor (N) flat alongside plastic straps and slide channel through hole. (See Figure 5)



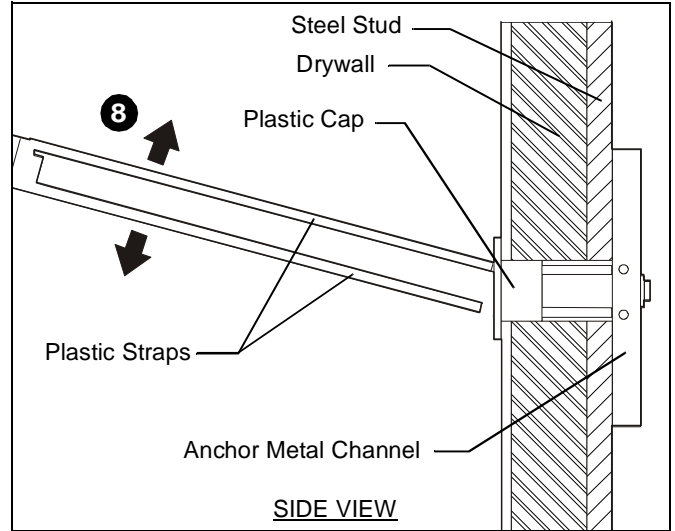
**Figure 5**

6. Holding plastic straps on anchor (N), pull anchor away from wall until channel rests flush behind wall making sure anchor channel is positioned vertically on stud. (See Figure 6)
7. Slide plastic cap on anchor (D) towards wall until flange of cap is flush with wall. (See Figure 6)



**Figure 6**

8. Snap off plastic straps on anchor at wall by pushing side to side, snapping off straps level with flange of plastic cap. (See Figure 7)
9. Repeat Steps 5 through 8 for each mounting hole.

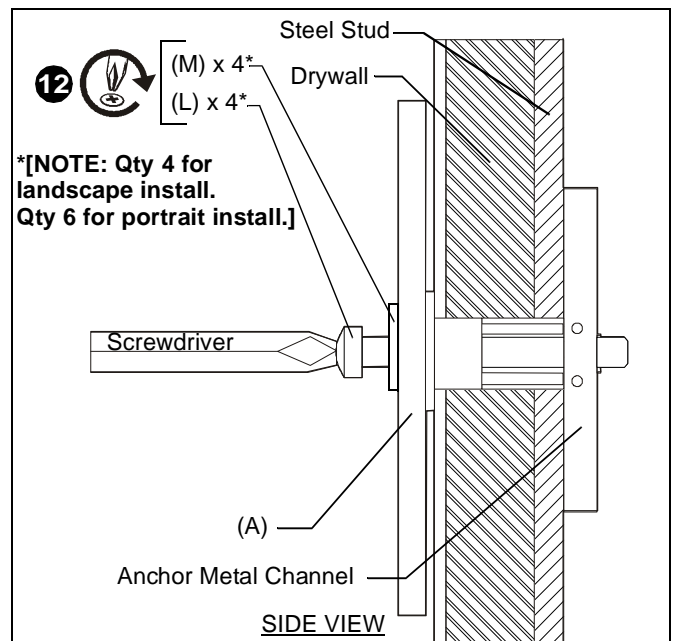


**Figure 7**

10. Place mount over anchors and align mounting holes in display mount with holes in anchors. (See Figure 8)
11. Place 1/4" flat washer (M) onto 1/4-20 x 1-3/4" Phillips pan head screw (L).
12. Insert Phillips pan head screw (L) with flat washer (M) through mounting hole in wall mount (A) and into anchor (N) and tighten until flush against mount. DO NOT overtighten! (See Figure 8)
13. Repeat steps 5 through 12 for remaining mounting holes.



**WARNING:** IMPROPER INSTALLATION CAN LEAD TO EQUIPMENT FALLING CAUSING SERIOUS PERSONAL INJURY OR DAMAGE TO EQUIPMENT! Overtightening of mounting hardware can damage the steel studs. DO NOT overtighten mounting hardware!



**Figure 8**

## Installing Display

**⚠ WARNING:** IMPROPER INSTALLATION CAN LEAD TO MOUNT FALLING CAUSING SERIOUS PERSONAL INJURY OR DAMAGE TO EQUIPMENT! DO NOT substitute hardware.

1. Install four mounting buttons (D) onto display using four M6 x 35mm (F) Phillips pan head screws. (See Figure 9)

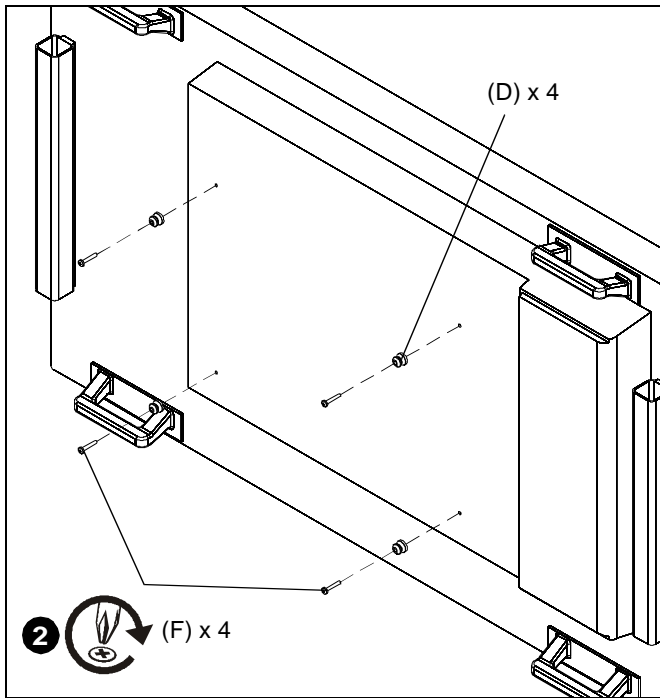


Figure 9

2. Move two locking flags (C) on wall mount (A) to the OPEN position. (See Figure 10)

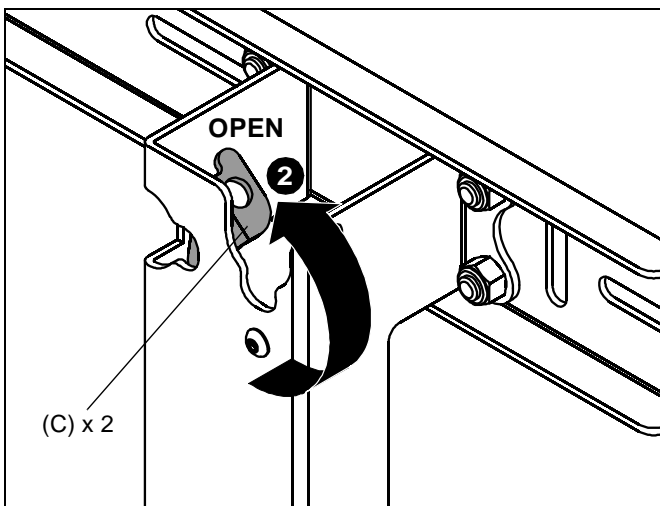


Figure 10

**⚠ WARNING:** IMPROPER INSTALLATION CAN LEAD TO MOUNT FALLING CAUSING SEVERE PERSONAL INJURY OR DAMAGE TO EQUIPMENT. Displays can weigh in excess of 210 lbs (95.3 kg). ALWAYS use at least two people and proper lifting techniques when installing display.

3. Lift display following lifting instructions provided by display manufacturer.
4. Align mounting buttons on display with four teardrop mounting holes in mount. (See Figure 11)

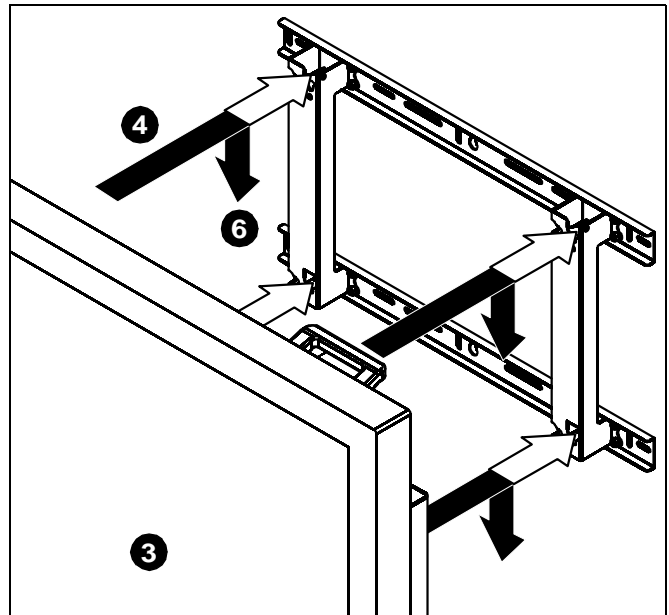


Figure 11

5. Move display forward until recessed area of mounting buttons is positioned over lower area of teardrop mounting holes. (See Figure 11)
6. Lower display until recessed area of mounting buttons is seated in lower area of teardrop mounting holes. (See Figure 11)
7. Move two locking flags (C) to CLOSED position and lock, if desired, with a cable, bolt or padlock. (See Figure 8)

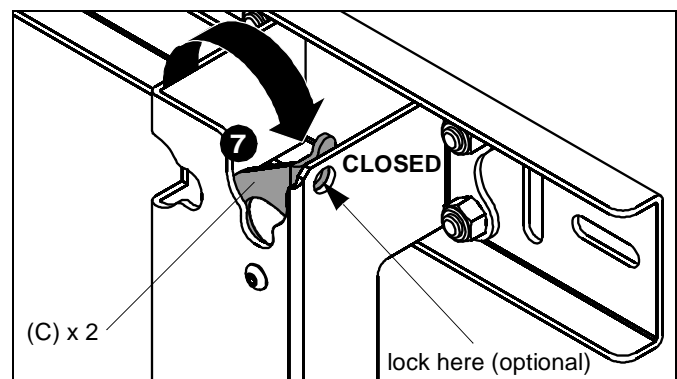


Figure 12

8. Route wires and cables to display.



## Portrait Mount

1. Attach locking flag (B) to wall mount (A) vertical bracket using one 10-24 x 1/2" button head cap screw (E), one .194 x .375 x .032" spacer (H), and one 10-24 lock nut (G) through lower hole on locking flag and upper hole on wall mount vertical bracket. Repeat with lower hole on wall mount vertical bracket. (See Figure 13)

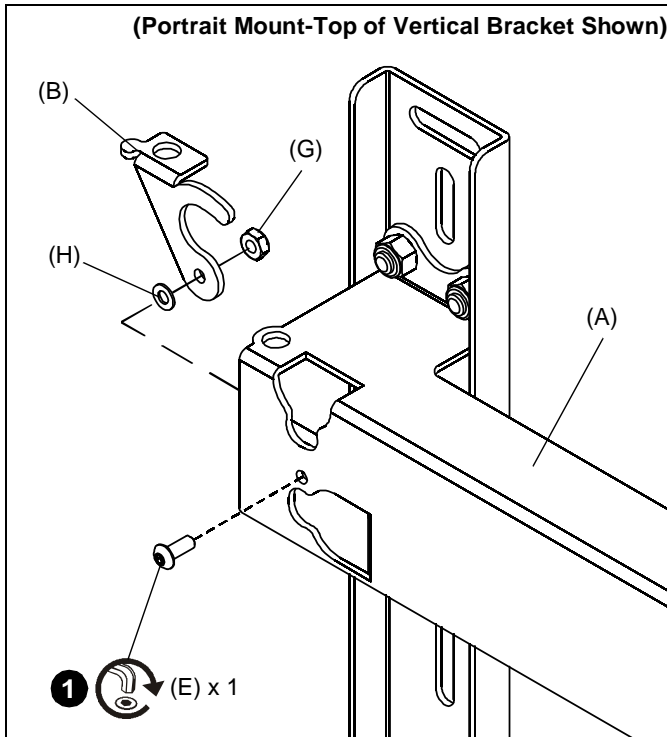


Figure 13

## Attaching Mount to Wall

### Wood Stud Wall



**WARNING:** IMPROPER INSTALLATION CAN LEAD TO DISPLAY FALLING CAUSING SERIOUS PERSONAL INJURY OR DAMAGE TO EQUIPMENT! It is the installer's responsibility to make sure the structure to which this mount is being attached can support a minimum of 900 lbs (408.2 kg). Reinforce the structure as required before installing this mount.

1. Place wall mount (A) against wall in desired installation location. (See Figure 14)
2. Level and adjust horizontal position making certain horizontal slots on the vertical brackets are properly positioned over studs. (See Figure 14)
3. Using a pencil or similar marking tool, mark the location of mounting holes in vertical brackets onto surface. (See Figure 14)
4. Drill four 7/32" pilot holes at marked locations. (See Figure 14)

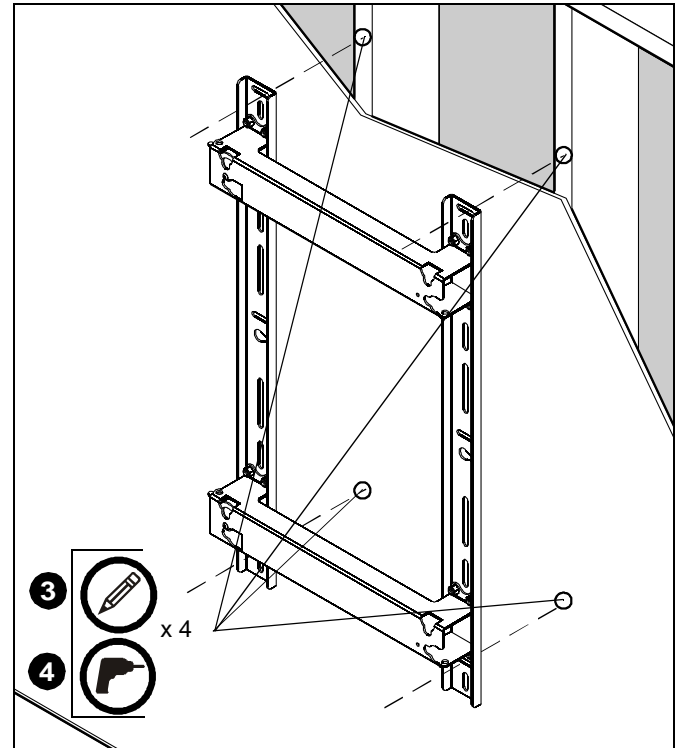


Figure 14

5. Secure wall mount (A) to studs using four 5/16 x 2-1/2" hex head lag screws (J) and four 5/16" flat washers (K). (See Figure 15)

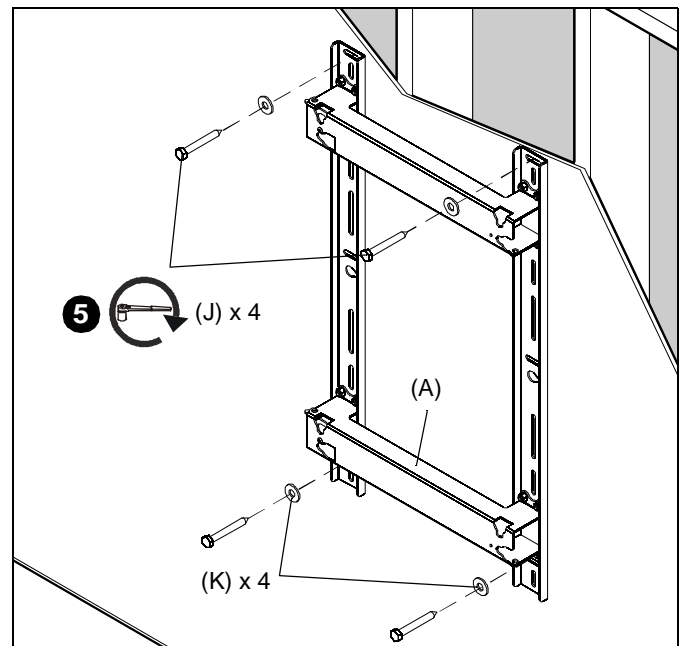


Figure 15

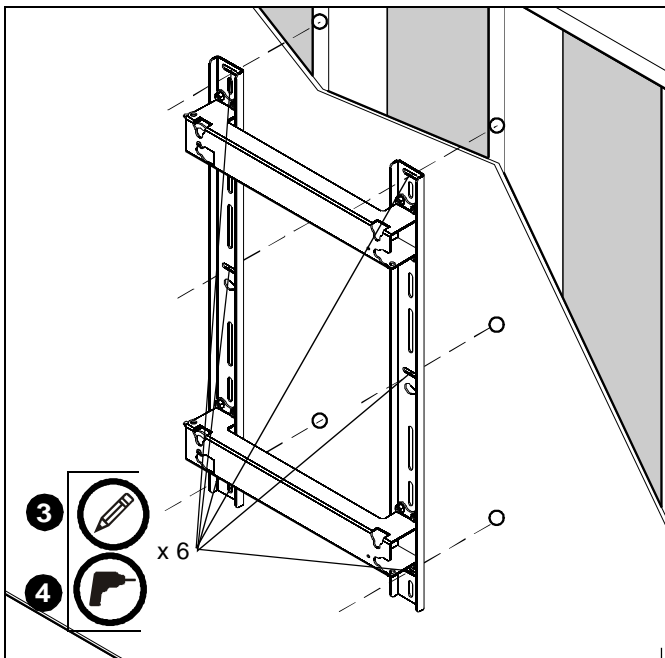
**NOTE:** Proceed to **Installing Display** section.

**Steel Stud Wall**

**⚠ WARNING:** IMPROPER INSTALLATION CAN LEAD TO EQUIPMENT FALLING CAUSING SERIOUS PERSONAL INJURY OR DAMAGE TO EQUIPMENT! Figure 4 identifies the minimum requirements for installation of display mounts onto a steel stud structure. If the structure or its components do not meet these requirements contact the mount manufacturer for specific instructions before attempting installation. It should also be noted that no other equipment should be mounted to the same stud. **(See Figure 4)**

**⚠ WARNING:** IMPROPER INSTALLATION CAN LEAD TO DISPLAY FALLING CAUSING SERIOUS PERSONAL INJURY OR DAMAGE TO EQUIPMENT! It is the installer's responsibility to make sure the structure to which this mount is being attached can support a minimum of 900 lbs (408.2 kg). Reinforce the structure as required before installing this mount.

1. Identify desired mounting location on wall.
2. Align mounting holes in mount with studs making sure mounting holes are centered on studs. (See Figure 16)



**Figure 16**

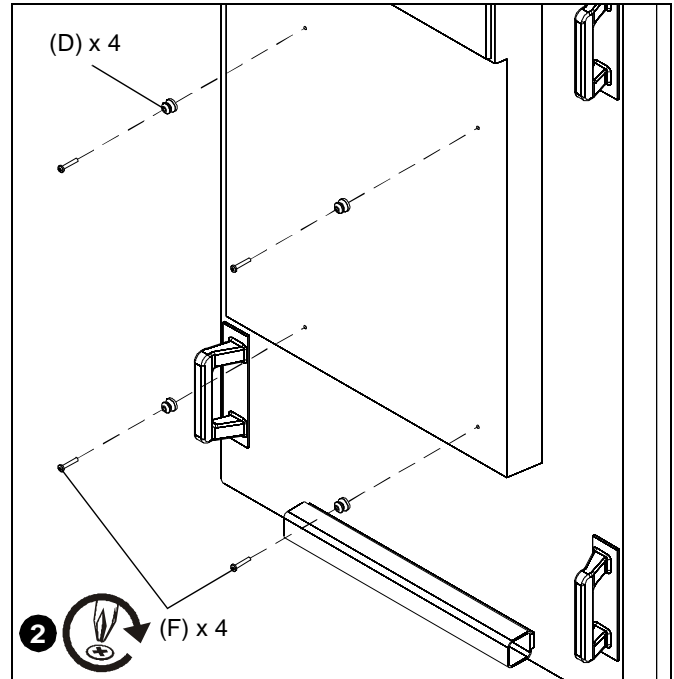
3. Mark location of six mounting holes on wall.(See Figure 16)
4. Drill six 1/2" holes. (See Figure 16)

**NOTE:** Proceed to Steps 5-13 on page7, using six 1/4-20 x 1-3/4" Phillips pan head screws (L), six 1/4" flat washers (M), and six snap-toggles (N).

**Installing Display**

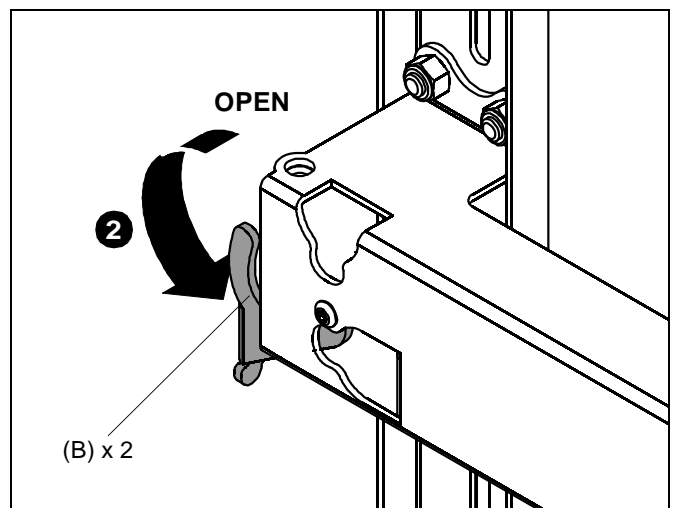
**⚠ WARNING:** IMPROPER INSTALLATION CAN LEAD TO MOUNT FALLING CAUSING SERIOUS PERSONAL INJURY OR DAMAGE TO EQUIPMENT! DO NOT substitute hardware.

1. Install four mounting buttons (D) onto display using four M6 x 35mm (F) Phillips pan head screws. (See Figure 17)



**Figure 17**

2. Move two locking flags (B) on wall mount (A) to the OPEN position. (See Figure 18)

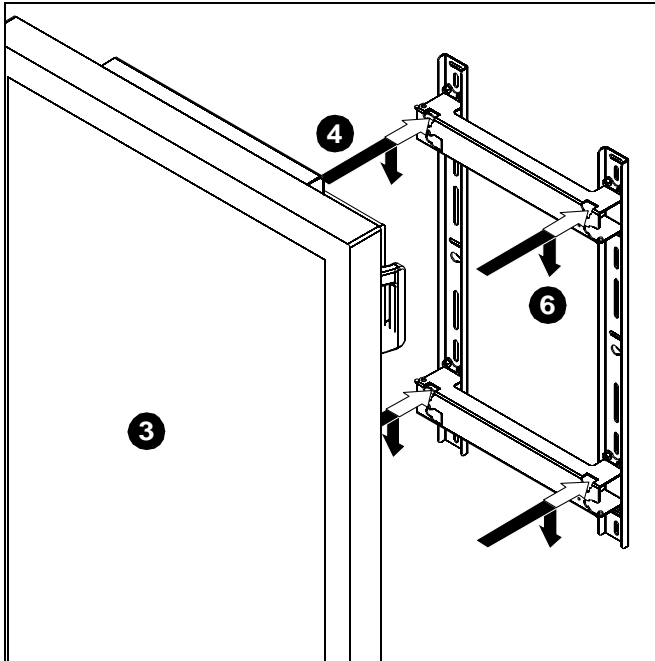


**Figure 18**



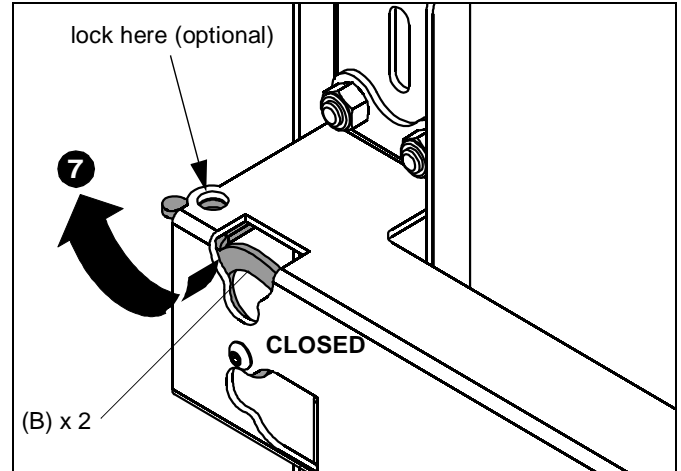
**WARNING:** IMPROPER INSTALLATION CAN LEAD TO MOUNT FALLING CAUSING SEVERE PERSONAL INJURY OR DAMAGE TO EQUIPMENT. Displays can weigh in excess of 210 lbs (95.3 kg). ALWAYS use at least two people and proper lifting techniques when installing display.

3. Lift display following lifting instructions provided by display manufacturer.
4. Align mounting buttons on display with four teardrop mounting holes in mount. (See Figure 19)



**Figure 19**

5. Move display forward until recessed area of mounting buttons is positioned over lower area of teardrop mounting holes. (See Figure 19)
6. Lower display until recessed area of mounting buttons is seated in lower area of teardrop mounting holes. (See Figure 19)
7. Move two locking flags (B) to CLOSED position and lock, if desired, with a cable, bolt or padlock. (See Figure 20)



**Figure 20**

8. Route wires and cables to display.



Our Mounts. **Your Vision.**

Chief Manufacturing, a products division  
of Milestone AV Technologies

8832-002025 REV 00

©2010 Milestone AV Technologies, a  
Duchossois Group Company

[www.chiefmfg.com](http://www.chiefmfg.com)

02/10

<b>USA/International</b>	<b>A</b> 8401 Eagle Creek Parkway, Savage, MN 55378
	<b>P</b> 800.582.6480 / 952.894.6280
	<b>F</b> 877.894.6918 / 952.894.6918
<b>Europe</b>	<b>A</b> Fellenoord 130 5611 ZB EINDHOVEN, The Netherlands
	<b>P</b> +31 (0)40 2668620
	<b>F</b> +31 (0)40 2668615
<b>Asia Pacific</b>	<b>A</b> Office No. 1 on 12/F, Shatin Galleria 18-24 Shan Mei Street Fotan, Shatin, Hong Kong
	<b>P</b> 852 2145 4099
	<b>F</b> 852 2145 4477

