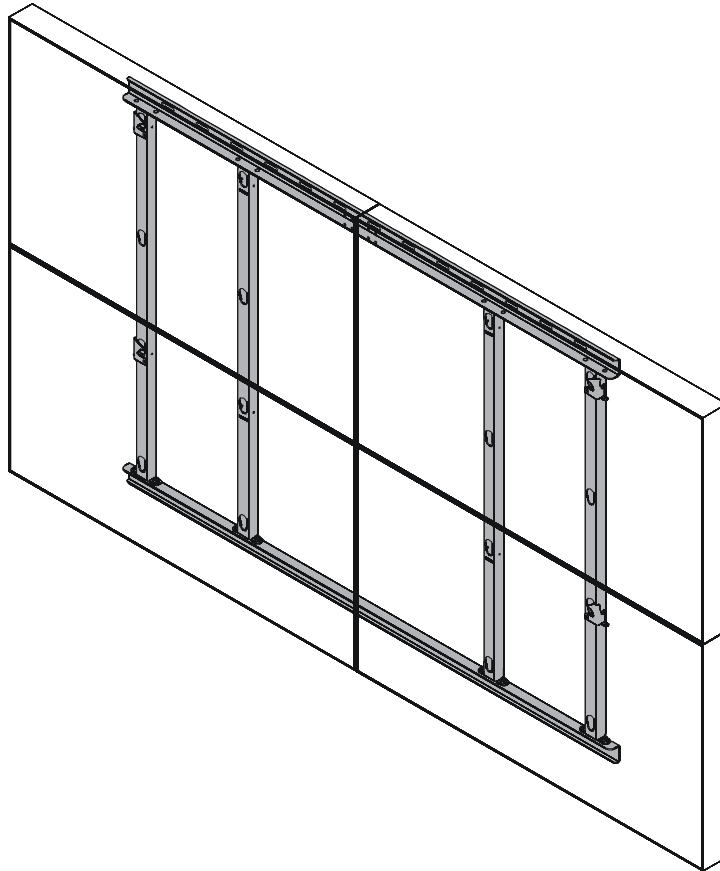

INSTALLATION INSTRUCTIONS



2 X 2 Array Wall Mount

DISCLAIMER

Milestone AV Technologies and its affiliated corporations and subsidiaries (collectively "Milestone"), intend to make this manual accurate and complete. However, Milestone makes no claim that the information contained herein covers all details, conditions or variations, nor does it provide for every possible contingency in connection with the installation or use of this product. The information contained in this document is subject to change without notice or obligation of any kind. Milestone makes no representation of warranty, expressed or implied, regarding the information contained herein. Milestone assumes no responsibility for accuracy, completeness or sufficiency of the information contained in this document.

Chief® is a registered trademark of Milestone AV Technologies. All rights reserved.

! IMPORTANT WARNINGS AND CAUTIONS!

! WARNING: A WARNING alerts you to the possibility of serious injury or death if you do not follow the instructions.

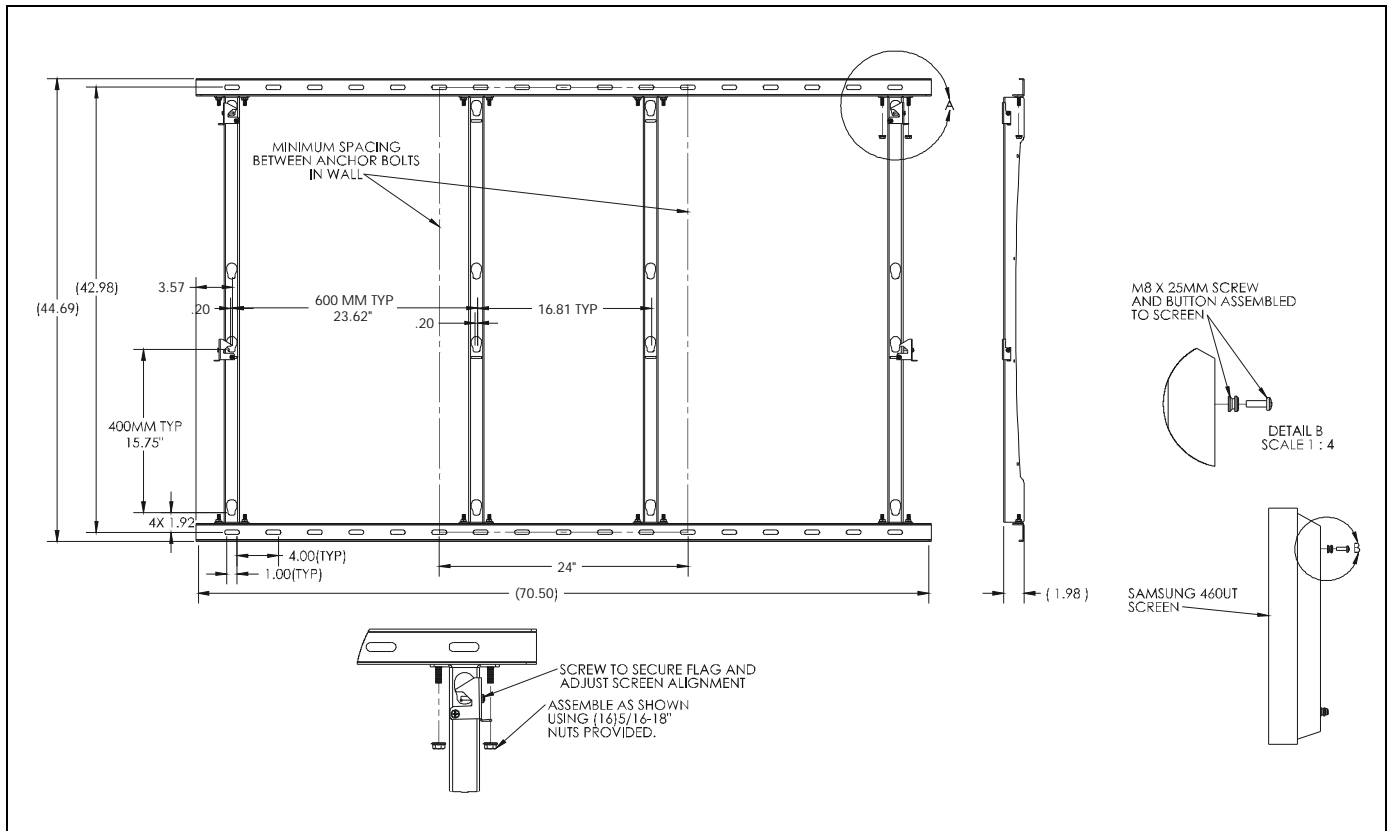
! CAUTION: A CAUTION alerts you to the possibility of damage or destruction of equipment if you do not follow the corresponding instructions.

! WARNING: Failure to read, thoroughly understand, and follow all instructions can result in serious personal injury, damage to equipment, or voiding of factory warranty! It is the installer's responsibility to make sure all components are properly assembled and installed using the instructions provided.



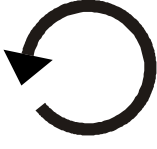


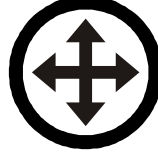






! WARNING: Failure to provide adequate structural strength for this component can result in serious personal injury or damage to equipment! It is the installer's responsibility to make sure the structure to which this component is attached can support a minimum of five times the weight of the mount and displays being mounted. Reinforce the structure as required before installing the component. The wall to which the mount is being attached may have a maximum drywall thickness of 5/8" (1.6cm).

! WARNING: Exceeding the weight capacity can result in serious personal injury or damage to equipment! It is the installer's responsibility to make sure the combined weight of all components attached to the PSMH2124 mount does not exceed 280 lbs (127 kg). The weight of each individual display cannot exceed 70 lbs (31.75 kg).

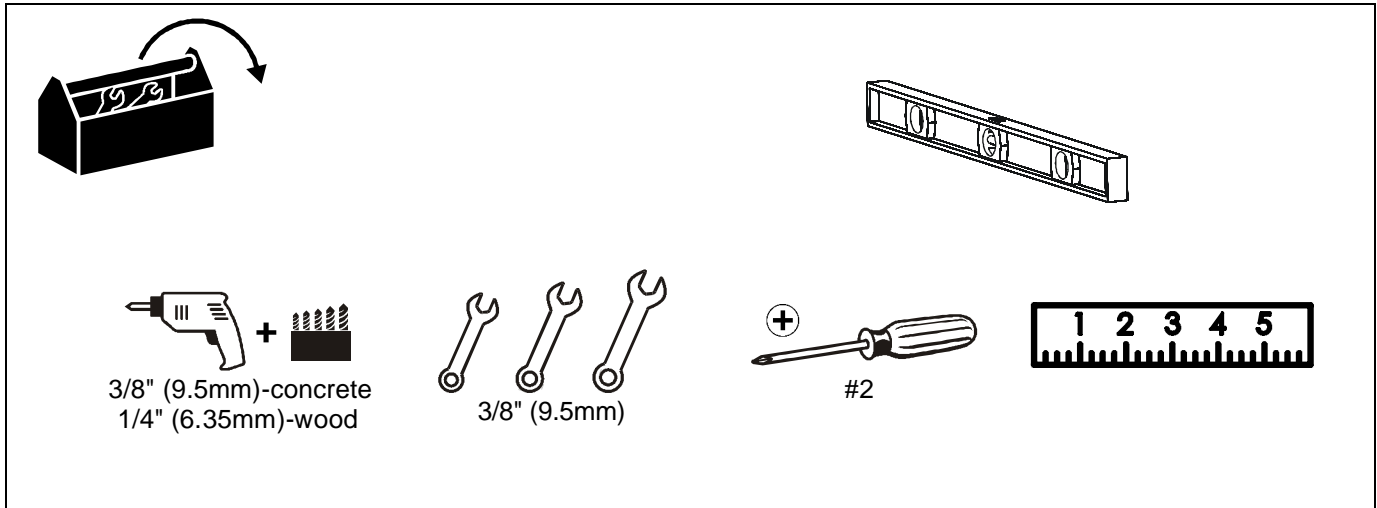
DIMENSIONS



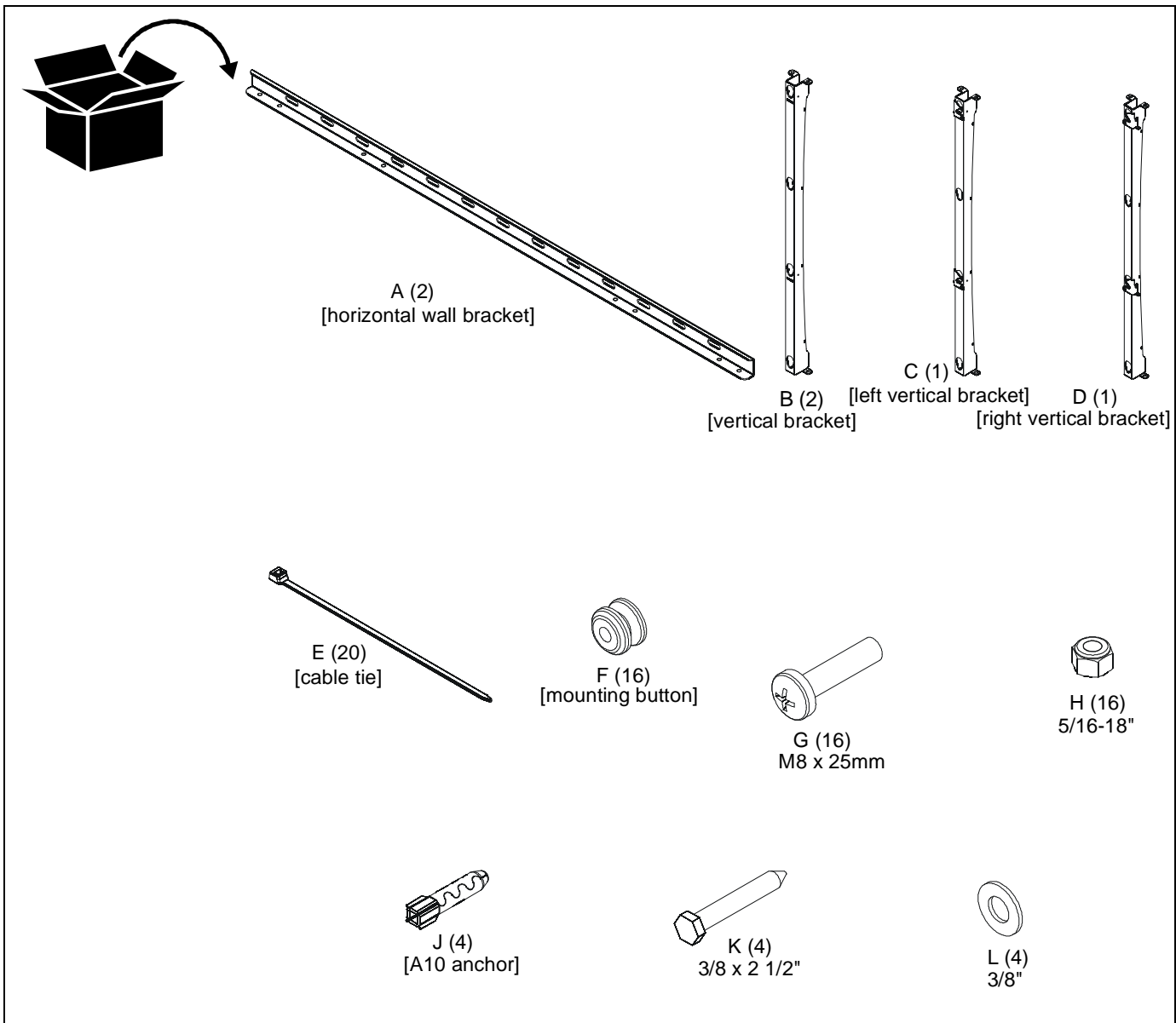
LEGEND

	<p>Tighten Fastener Apretar elemento de fijación Befestigungsteil festziehen Apertar fixador Serrare il fissaggio Bevestiging vastdraaien Serrez les fixations</p>		<p>Pencil Mark Marcar con lápiz Stiftmarkierung Marcar com lápis Segno a matita Potloodmerkten Marquage au crayon</p>
	<p>Loosen Fastener Aflojar elemento de fijación Befestigungsteil lösen Desapertar fixador Allentare il fissaggio Bevestiging losdraaien Desserrez les fixations</p>		<p>Drill Hole Perforar Bohrloch Fazer furo Praticare un foro Gat boren Percez un trou</p>
	<p>Phillips Screwdriver Destornillador Phillips Kreuzschlitzschraubendreher Chave de fendas Phillips Cacciavite a stella Kruiskopschroevendraaier Tournevis à pointe cruciforme</p>		<p>Adjust Ajustar Einstellen Ajustar Regolare Afstellen Ajuster</p>
	<p>Open-Ended Wrench Llave de boca Gabelschlüssel Chave de bocas Chiave a punte aperte Steeksleutel Clé à fourche</p>		<p>Remove Quitar Entfernen Remover Rimuovere Verwijderen Retirez</p>
	<p>By Hand A mano Von Hand Com a mão A mano Met de hand À la main</p>		<p>Optional Opcional Optional Opcional Opzionale Optie En option</p>
	<p>Hex-Head Wrench Llave de cabeza hexagonal Sechskantschlüssel Chave de cabeça sextavada Chiave esagonale Zeskantsleutel Clé à tête hexagonale</p>		<p>Security Wrench Llave de seguridad Sicherheitsschlüssel Chave de segurança Chiave di sicurezza Veiligheidssleutel Clé de sécurité</p>

TOOLS REQUIRED FOR INSTALLATION



PARTS



ASSEMBLY AND INSTALLATION

Mount Assembly

1. Arrange four vertical brackets (B-D) with two horizontal brackets (A) making sure the right vertical bracket (C) is on the far right and the left vertical bracket (D) is on the far left. (See Figure 1)
2. Use 16 5/16-18" lock nuts (H) to attach vertical brackets to horizontal brackets. (See Figure 1)

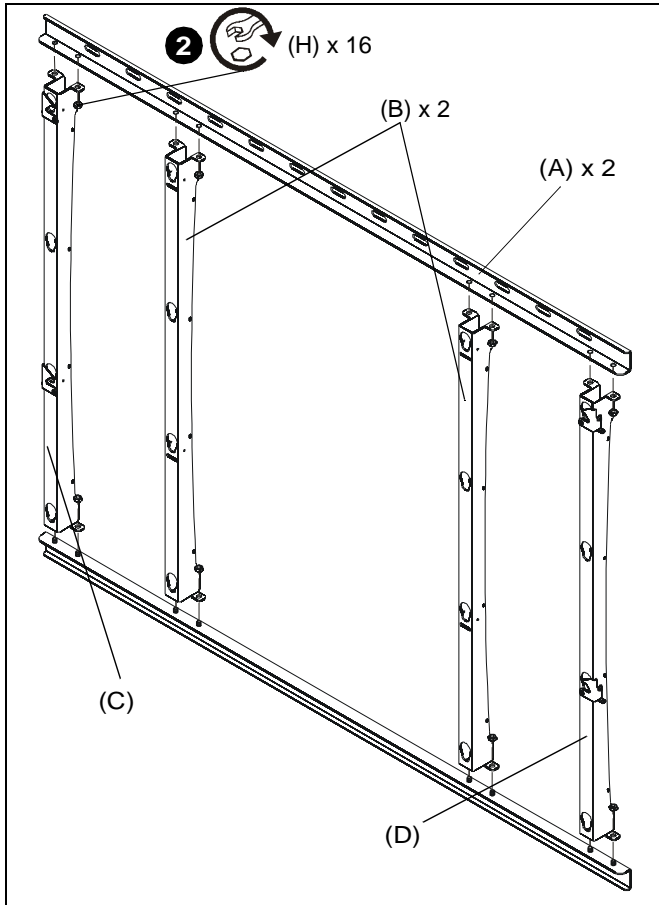


Figure 1

Attach Mount to Wall - Concrete

NOTE: If attaching to wood studs, proceed to Attach Mount to Wall - Wood Studs section.

1. Determine mounting location on wall.
2. Determine mounting slots to be used for installation. (See Note below and Figure 2)

NOTE: Slots used must be at least 24" apart. Mount must be centered on anchors +/- 4 1/2". (See Figure 2)

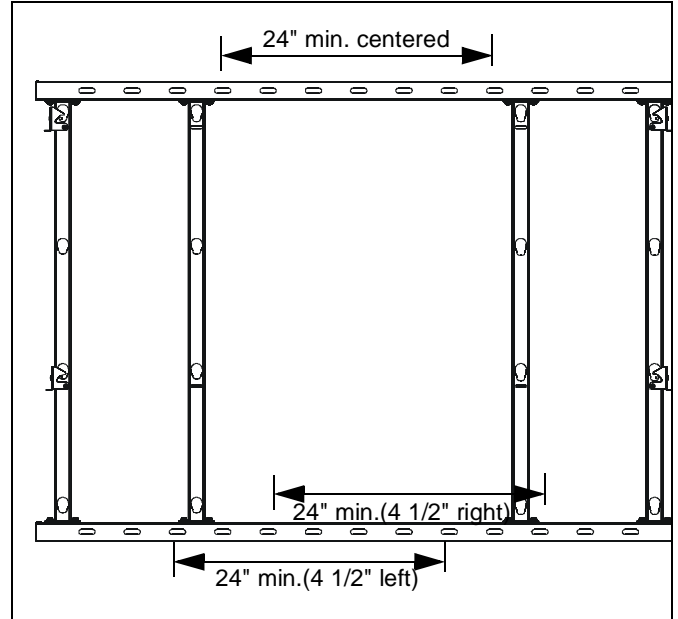


Figure 2

3. Using assembled mount as a template, mark four holes in selected mounting holes on wall. Use a level to make sure of an even mount. (See Figure 3)
4. Drill four 3/8" holes in wall 2 1/2" deep at marked locations. (See Figure 3)
5. Install four concrete anchors (J) into four drilled holes on wall. (See Figure 3)
6. Install four 3/8 x 2 1/2" hex head lag screws (K) through holes on mount and into four concrete anchors (J). (See Figure 3)

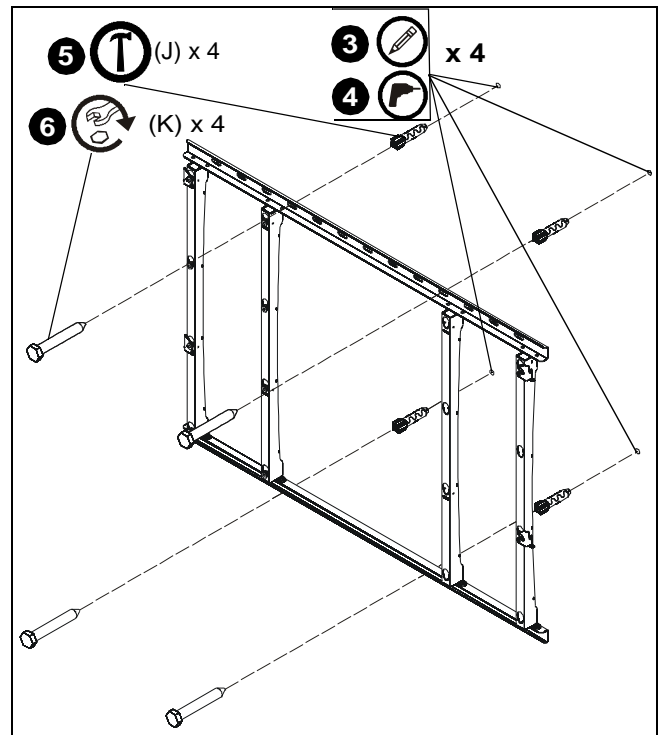


Figure 3

Attach to Wall - Wood Studs

1. Determine mounting location on wall.
2. Determine mounting slots to be used for installation. (See Note below and Figure 4)

NOTE: If mounting to center of 24" studs, slots used must be centered $\pm 4\ 1/2"$. For 16" studs, slots used must be centered over three studs $\pm 4\ 1/2"$. (See Figure 4)

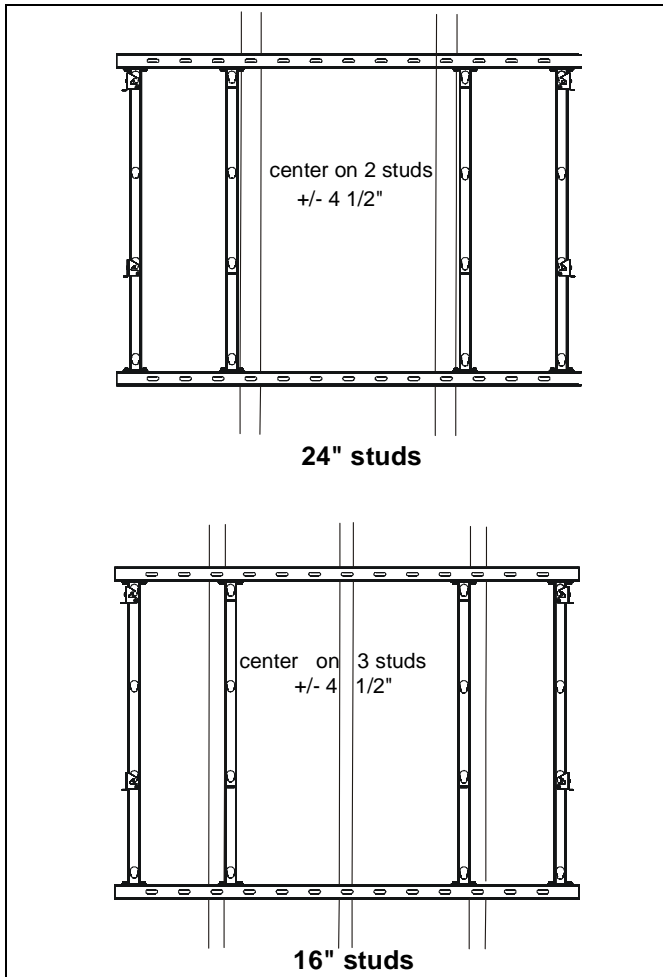


Figure 4

3. Using assembled mount as a template, mark four holes on wall. Use a level to make sure of an even mount. (See Figure 5)
4. Drill four 1/4" holes 2 1/2" deep in wall at marked locations. (See Figure 5)
5. Install four 3/8 x 2 1/2" hex head lag screws (K) through holes on mount and into four drilled holes on wall. (See Figure 5)

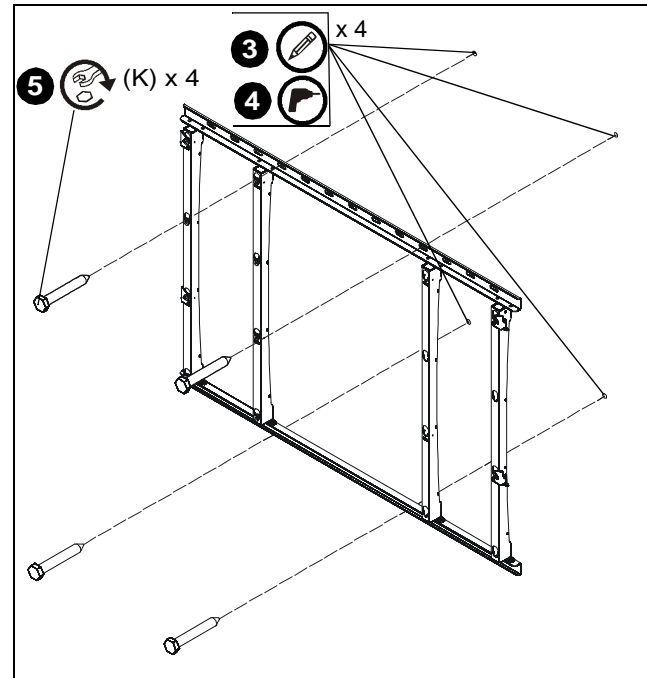


Figure 5

Install Displays



WARNING: Exceeding the weight capacity can result in serious personal injury or damage to equipment! It is the installer's responsibility to make sure the combined weight of all components attached to the PSMH2124 mount does not exceed 280 lbs (127 kg). The weight of each individual display cannot exceed 70 lbs (31.75 kg).

1. Use four M8 x 25mm Phillips pan machine screws (G) to attach four mounting buttons (F) to center holes on back of display. (See Figure 6)
2. Repeat Step 1 for each display to be installed.

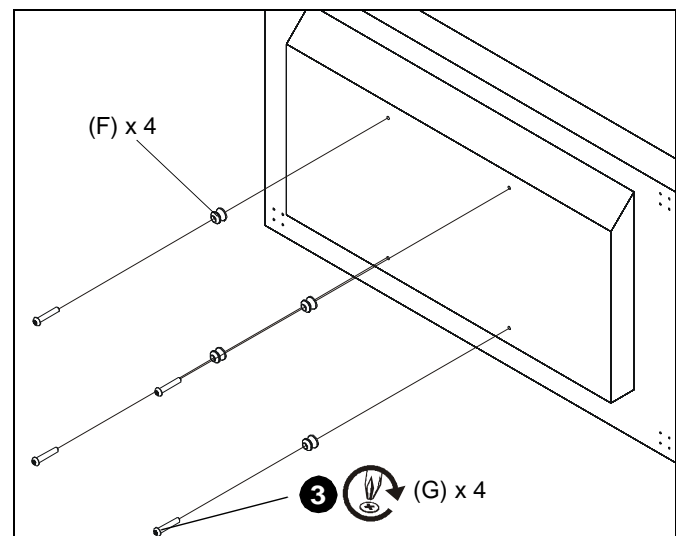


Figure 6

3. Make sure locking flags on mount are in open position. (See Figure 7)

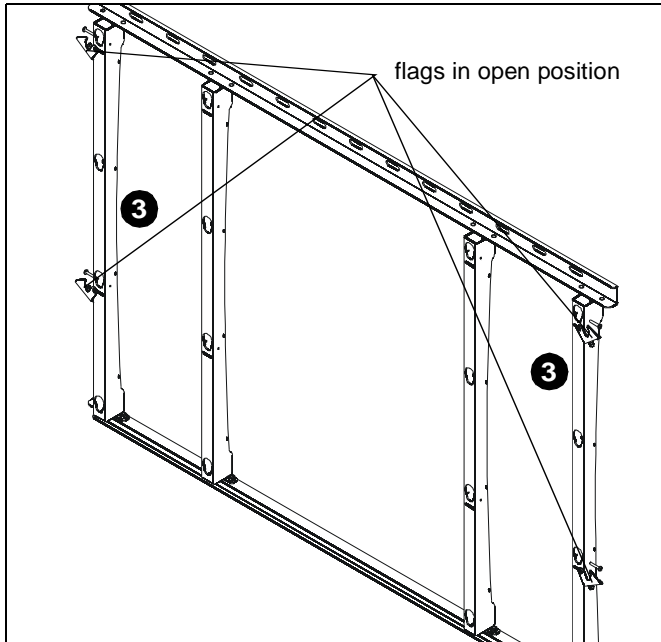


Figure 7

NOTE: The four displays may be installed in any order.

4. Lift display onto mount by inserting mounting buttons into teardrop openings on vertical mounting brackets. (See Figure 8)

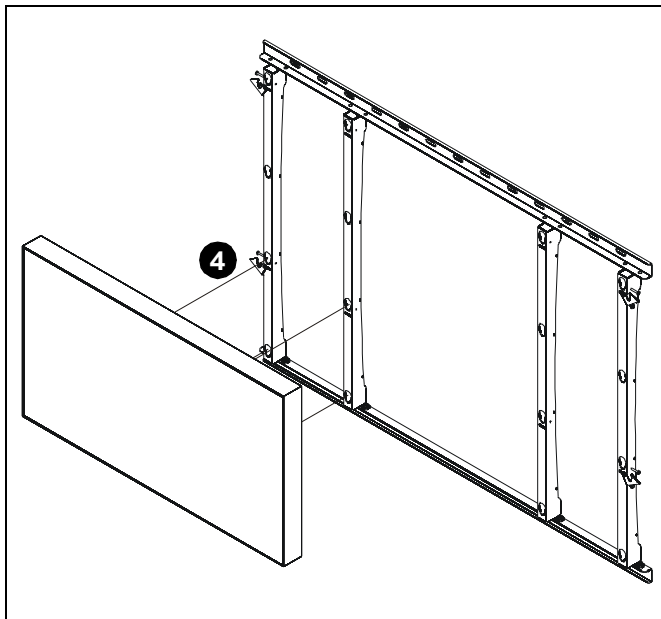


Figure 8

5. Move locking flag to closed position by wrapping it around mounting button. (See Figure 9)
6. Slide flag towards center of the mount to secure flag around mounting button. (See Figure 9)
7. Tighten screw to push mounting button towards center of mount and further secure display to mount. (See Figure 9)

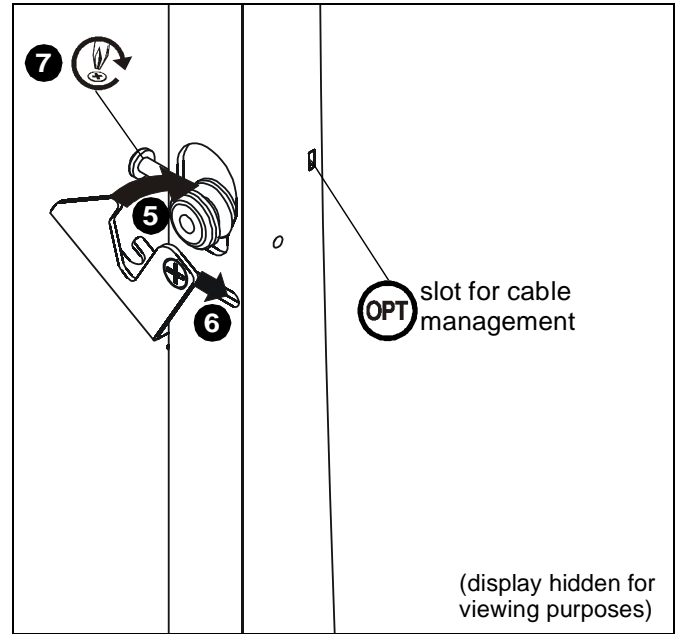


Figure 9

NOTE: Slots on vertical brackets can be used for cable management by using cable ties (G) to secure cables to brackets. (See Figure 9)

8. Repeat Steps 4 through 7 for top left display.
9. Repeat Steps 4 through 7 to install bottom right display.
10. Repeat Steps 4 through 7 to install top right display.



Our Mounts. **Your Vision.**

Chief Manufacturing, a products division
of Milestone AV Technologies

8840-002003 Rev 00

©2011 Milestone Technologies, a
Duchossois Group Company

www.chiefmfg.com

02/11

USA/International A 8401 Eagle Creek Parkway, Savage, MN 55378

P 800.582.6480 / 952.894.6280

F 877.894.6918 / 952.894.6918

Europe

A Fellenoord 130 5611 ZB EINDHOVEN, The Netherlands

P +31 (0)40 2668620

F +31 (0)40 2668615

Asia Pacific

A Room 24F, Block D, Lily YinDu International Building

LuoGang, BuJi Town, Shenzhen, CHINA.

深圳市布吉罗岗村百合银都国际大厦D栋24F

P +86-755-8996 9226

F +86-755-8996 9217

