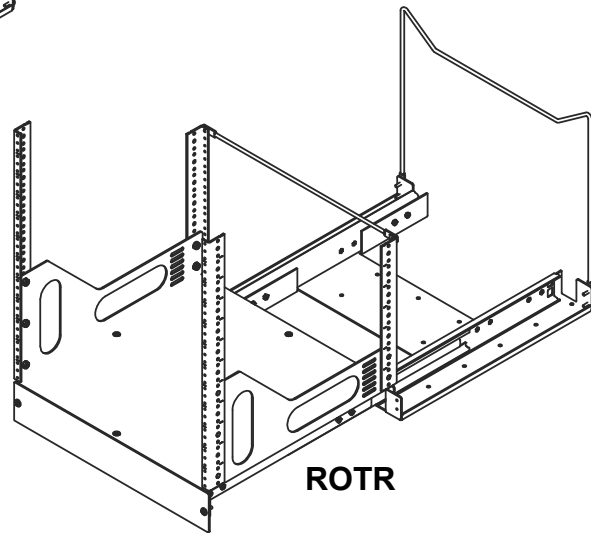
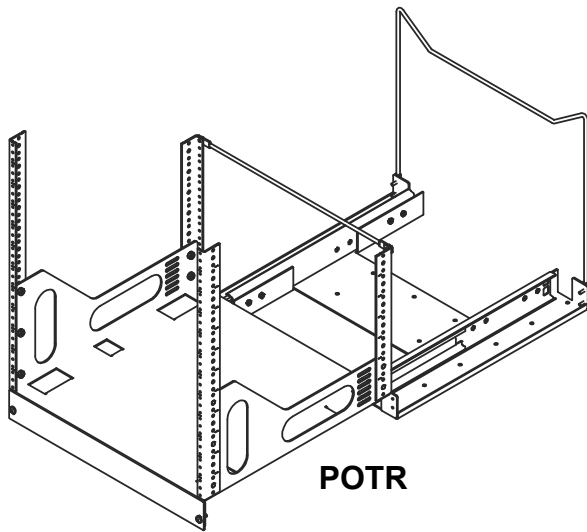

INSTALLATION INSTRUCTIONS



Pull Out and Rotating Rack

DISCLAIMER

Milestone AV Technologies and its affiliated corporations and subsidiaries (collectively "Milestone"), intend to make this manual accurate and complete. However, Milestone makes no claim that the information contained herein covers all details, conditions or variations, nor does it provide for every possible contingency in connection with the installation or use of this product. The information contained in this document is subject to change without notice or obligation of any kind. Milestone makes no representation of warranty, expressed or implied, regarding the information contained herein. Milestone assumes no responsibility for accuracy, completeness or sufficiency of the information contained in this document.

Chief® is a registered trademark of Milestone AV Technologies. All rights reserved.

! IMPORTANT SAFETY INSTRUCTIONS

! WARNING: A WARNING alerts you to the possibility of serious injury or death if you do not follow the instructions.

! CAUTION: A CAUTION alerts you to the possibility of damage or destruction of equipment if you do not follow the corresponding instructions.

! WARNING: Failure to read, thoroughly understand, and follow all instructions can result in serious personal injury, damage to equipment, or voiding of factory warranty! It is the installer's responsibility to make sure all components are properly assembled and installed using the instructions provided.

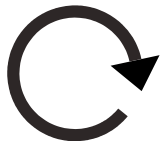


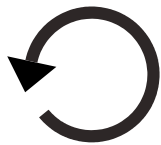
! WARNING: Failure to provide adequate structural strength for this component can result in serious personal injury or damage to equipment! It is the installer's responsibility to make sure the structure to which this component is attached can support five times the combined weight of all equipment. Reinforce the structure as required before installing the component.

! WARNING: Exceeding the weight capacity can result in serious personal injury or damage to equipment! It is the installer's responsibility to make sure the combined weight of all components located within the rack does not exceed 300 lbs (136.1 kg). Use with products heavier than the maximum weight indicated may result in instability or collapse of the rack causing possible injury.

IMPORTANT ! : Minimum spacings between the Accessories and components and the (ITC/AV) Rack Enclosure shall be maintained for safe operation of the equipment when installed in accordance with the National Electric Code, ANSI/NFPA 70-2008. Operating temperature inside rack shall not exceed 104°F.

--SAVE THESE INSTRUCTIONS--

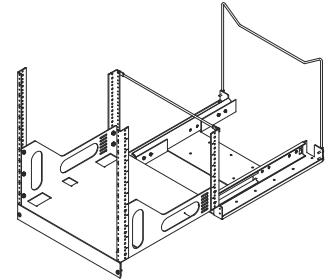
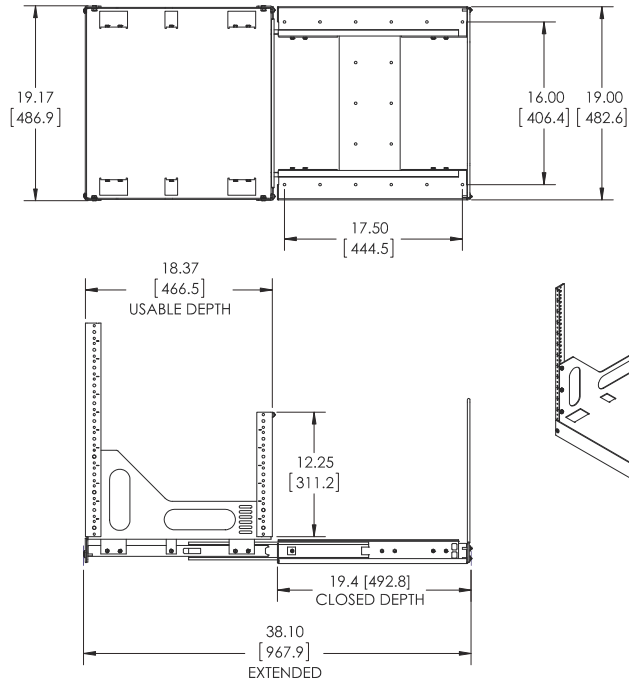
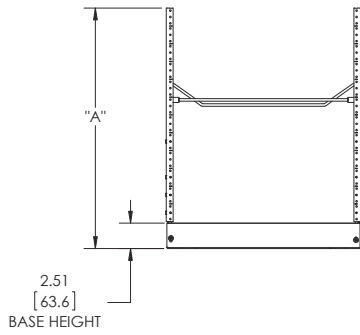
LEGEND

	Tighten Fastener		Phillips Screwdriver
	Apretar elemento de fijación		Destornillador Phillips
	Befestigungsteil festziehen		Kreuzschlitzschraubendreher
	Apertar fixador		Chave de fendas Phillips
	Serrare il fissaggio		Cacciavite a stella
	Bevestiging vastdraaien		Kruiskopschroevendraaier
Serrez les fixations	Tournevis à pointe cruciforme		Open-Ended Wrench
	Loosen Fastener		Llave de boca
	Aflojar elemento de fijación		Gabelschlüssel
	Befestigungsteil lösen		Chave de bocas
	Desapertar fixador		Chiave a punte aperte
	Allentare il fissaggio		Steekslutel
	Bevestiging losdraaien	Clé à fourche	
Desserrez les fixations			

DIMENSIONS

POTR

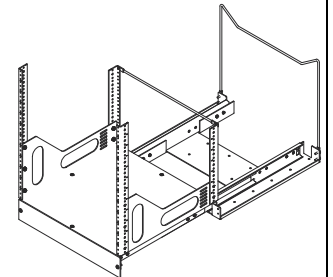
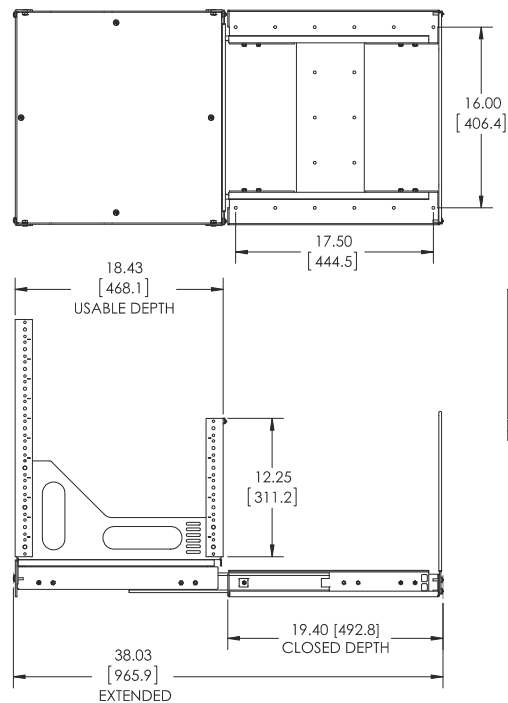
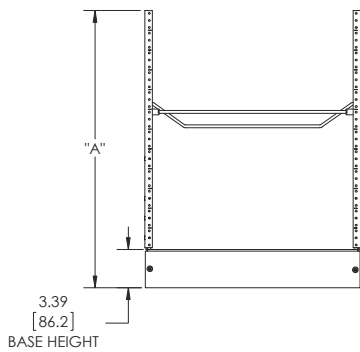
MODEL	RACK HEIGHT	HEIGHT "A"
POTR-8	8U	16.65 [422.9]
POTR-9	9U	18.40 [467.3]
POTR-10	10U	20.15 [511.8]
POTR-11	11U	21.90 [556.2]
POTR-12	12U	23.65 [600.7]
POTR-13	13U	25.40 [645.2]
POTR-14	14U	27.15 [689.6]
POTR-15	15U	28.90 [734.1]
POTR-16	16U	30.65 [778.5]
POTR-17	17U	32.40 [822.9]
POTR-18	18U	34.15 [867.4]
POTR-19	19U	35.90 [911.9]
POTR-20	20U	37.65 [956.3]
POTR-21	21U	39.40 [1000.8]
POTR-22	22U	41.15 [1045.2]
POTR-23	23U	42.90 [1089.7]
POTR-24	24U	44.65 [1134.1]



DIMENSIONS: INCHES
[MILLIMETERS]

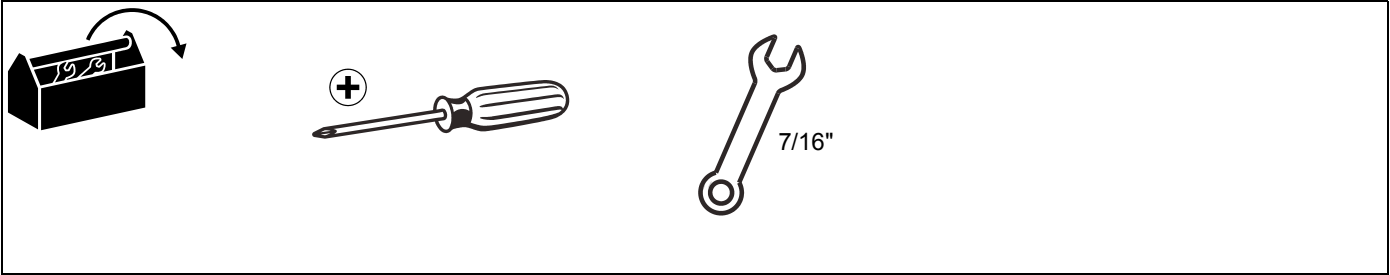
ROTR

MODEL	RACK HEIGHT	HEIGHT "A"
ROTR-8	8U	17.54 [445.5]
ROTR-9	9U	19.29 [490.0]
ROTR-10	10U	21.04 [534.4]
ROTR-11	11U	22.79 [578.9]
ROTR-12	12U	24.54 [623.3]
ROTR-13	13U	26.29 [667.8]
ROTR-14	14U	28.04 [712.2]
ROTR-15	15U	29.79 [756.7]
ROTR-16	16U	31.54 [801.1]
ROTR-17	17U	33.29 [845.6]
ROTR-18	18U	35.04 [890.0]
ROTR-19	19U	36.79 [934.5]
ROTR-20	20U	38.54 [978.9]
ROTR-21	21U	40.29 [1023.4]
ROTR-22	22U	42.04 [1067.8]
ROTR-23	23U	43.79 [1112.3]
ROTR-24	24U	45.54 [1156.7]

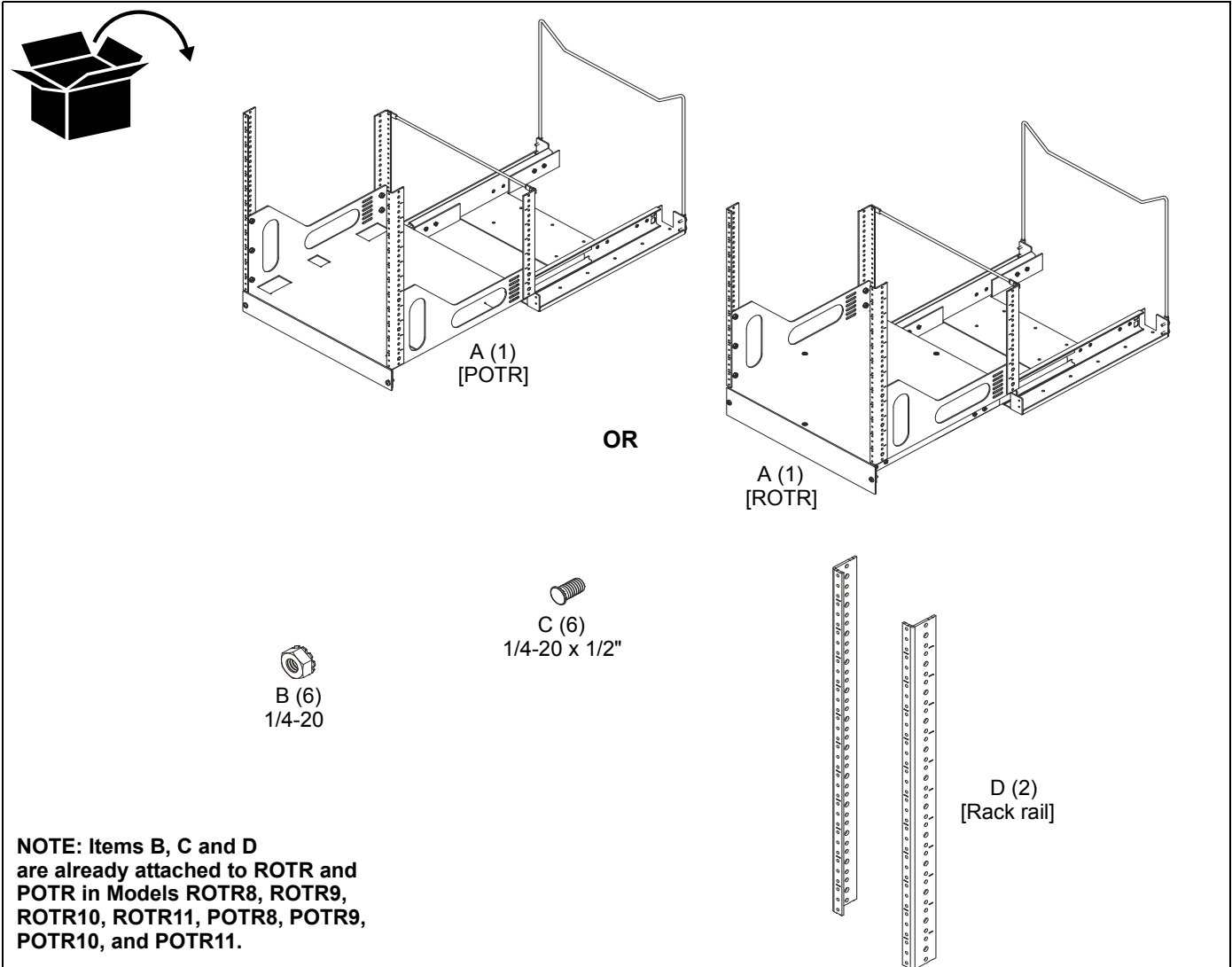


DIMENSIONS: INCHES
[MILLIMETERS]

TOOLS REQUIRED FOR INSTALLATION



PARTS



ASSEMBLY

NOTE: Proceed to Step 2 if assembling Models POTR/ROTR8,-9,-10 or -11.

1. Attach rack rails (D) to POTR/ROTR using three 1/4-20 x 1/2" perm studs (C) and three 1/4-20 lock nuts (B) for each rack rail. (See Figure 1)

NOTE: Leave the hardware loose until all three fasteners on one rack rail have been installed, then tighten.

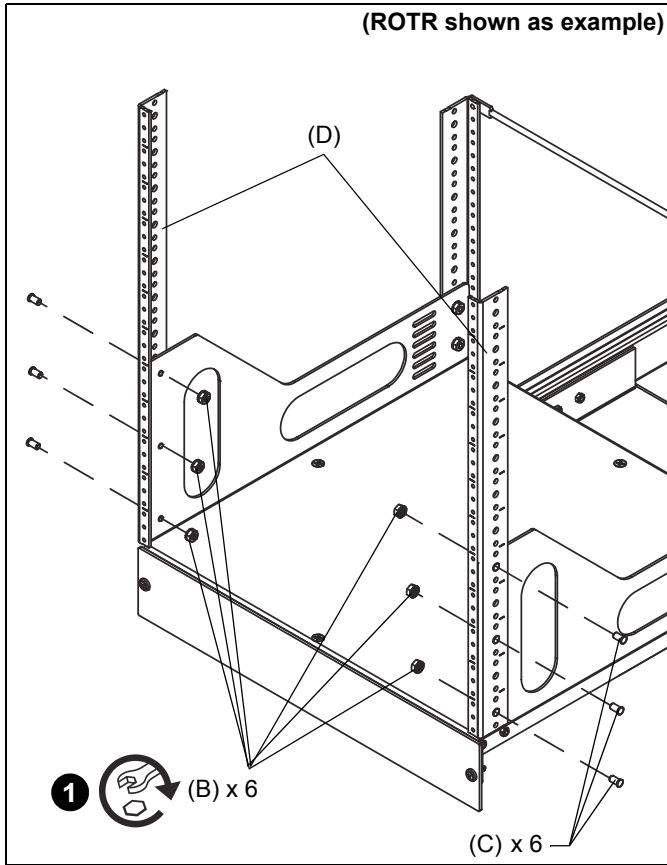


Figure 1

2. Remove and **SAVE** two screws from POTR/ROTR front and remove the cover plate. (See Figure 2)

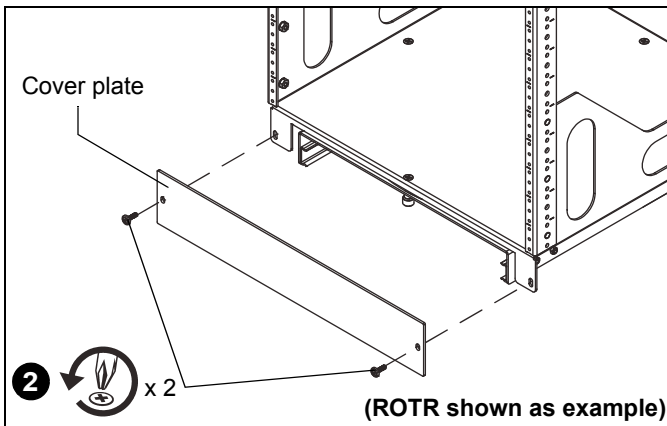


Figure 2

3. Attach POTR/ROTR base to floor of cabinet or to a pedestal or stand using 1/4-20 bolts (not included) through the base. (See Figure 3)
4. The POTR/ROTR may now slide back and forth on the base.
5. Proceed to **Completing Installation** section.

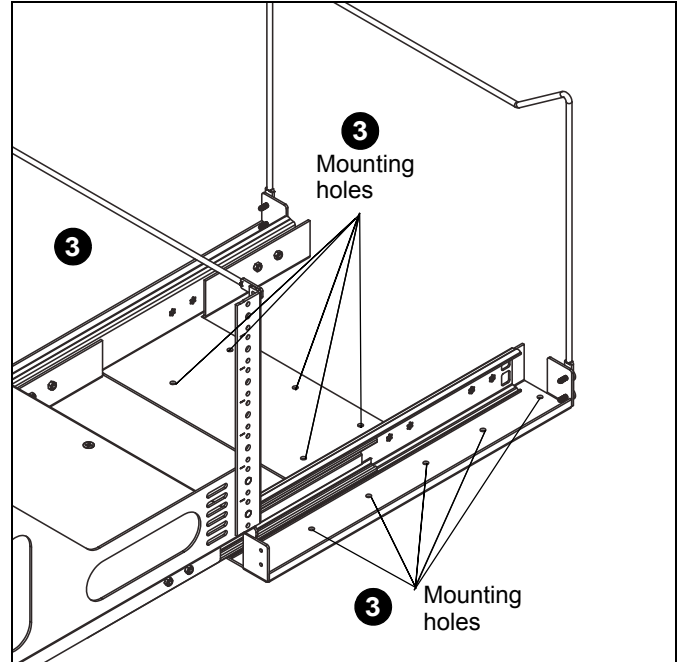


Figure 3

ROTR Only

1. Unlock the thumbscrew in the ROTR front. (See Figure 4)
2. Pull out and swivel the ROTR as needed to gain access to the back.
3. Swivel ROTR to front and tighten thumbscrew to keep from swiveling. (See Figure 4)

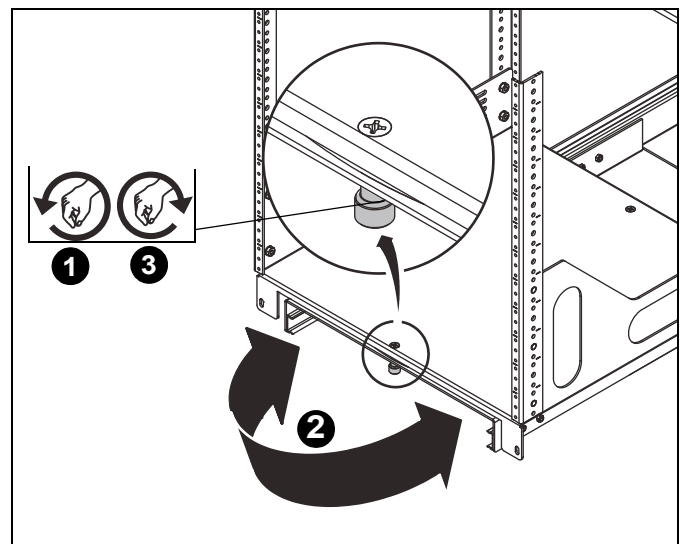


Figure 4

COMPLETING INSTALLATION

1. Close the POTR/ROTR. (See Figure 5)
2. Replace cover plate. (See Figure 5)
3. Attach cover plate to POTR/ROTR with two fasteners removed in earlier step. (See Figure 5)

IMPORTANT ! : Ensure that fasteners fit through cover plate and into front of base.

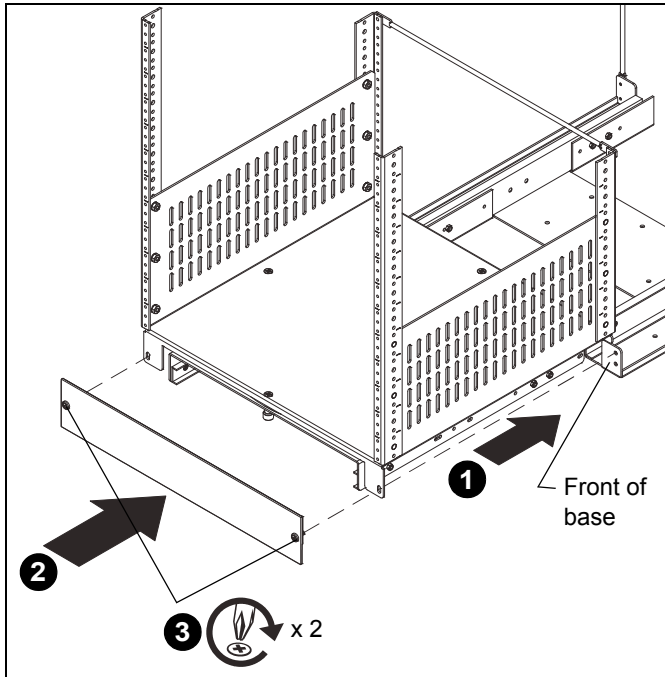


Figure 5



Our Mounts. **Your Vision.**

Chief, a products division of
Milestone AV Technologies

8800-002295 Rev01
©2016 Milestone AV Technologies
www.chiefmfg.com
03/16

USA/International	A 6436 City West Parkway, Eden Prairie, MN 55344 P 800.582.6480 / 952.225.6000 F 877.894.6918 / 952.894.6918
Europe	A Franklinstraat 14, 6003 DK Weert, Netherlands P +31 (0) 495 580 852 F +31 (0) 495 580 845
Asia Pacific	A Office No. 918 on 9/F, Shatin Galleria 18-24 Shan Mei Street Fotan, Shatin, Hong Kong P 852 2145 4099 F 852 2145 4477

