
INSTALLATION INSTRUCTIONS

Projector Cable Lock Accessory

DISCLAIMER

CSAV, Inc., and its affiliated corporations and subsidiaries (collectively, "CSAV"), intend to make this manual accurate and complete. However, CSAV makes no claim that the information contained herein covers all details, conditions or variations, nor does it provide for every possible contingency in connection with the installation or use of this product. The information contained in this document is subject to change without notice or obligation of any kind. CSAV makes no representation of warranty, expressed or implied, regarding the information contained herein. CSAV assumes no responsibility for accuracy, completeness or sufficiency of the information contained in this document.

! IMPORTANT WARNINGS AND CAUTIONS!

! WARNING: A WARNING alerts you to the possibility of serious injury or death if you do not follow the instructions.

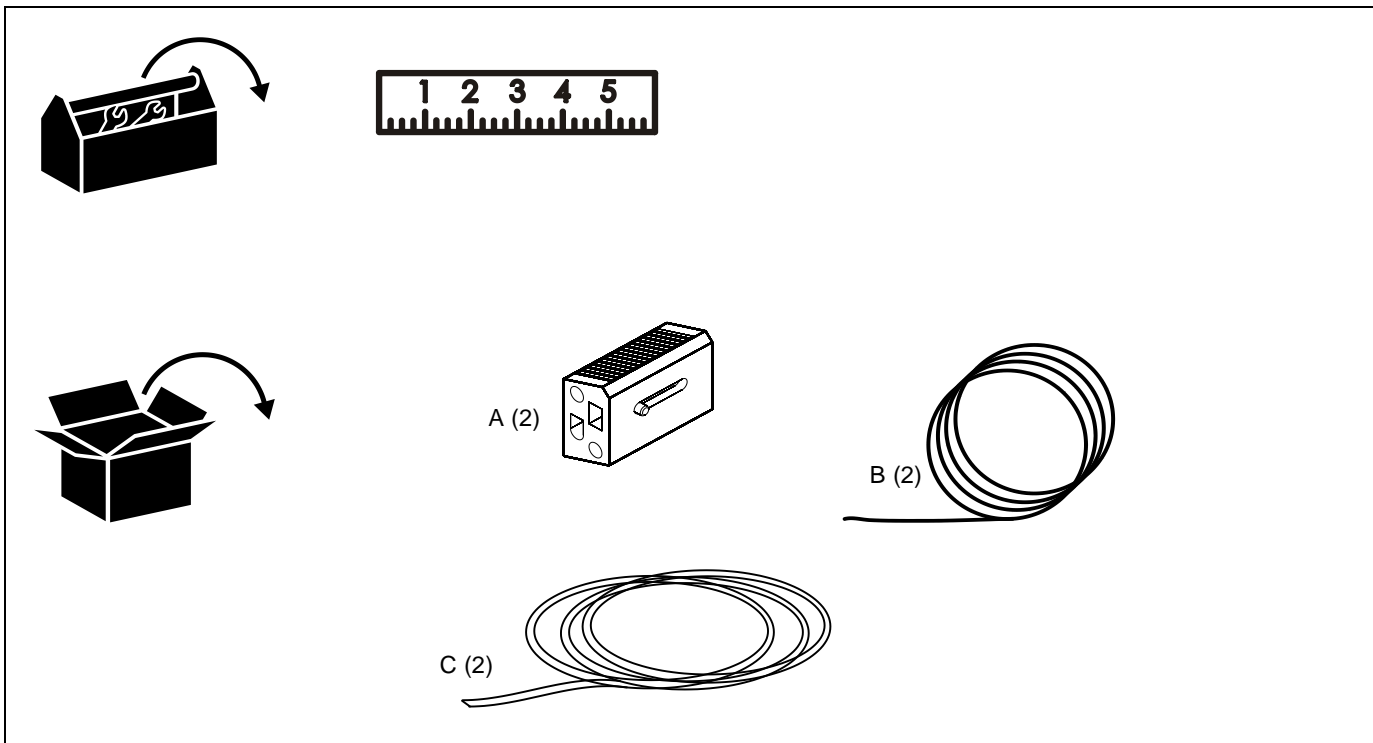
! CAUTION: A CAUTION alerts you to the possibility of damage or destruction of equipment if you do not follow the corresponding instructions.

! WARNING: Failure to read, thoroughly understand, and follow all instructions can result in serious personal injury, damage to equipment, or voiding of factory warranty! It is the installer's responsibility to make sure all components are properly assembled and installed using the instructions provided.

! WARNING: Failure to provide adequate structural strength for this component can result in serious personal injury or damage to equipment! It is the installer's responsibility to make sure the structure to which this component is attached can support five times the combined weight of all equipment. Reinforce the structure as required before installing the component.

! WARNING: Exceeding the weight capacity can result in serious personal injury or damage to equipment! It is the installer's responsibility to make sure the combined weight of all components attached to the PMSC does not exceed 50 lbs (22.68 kg).

TOOLS AND PARTS REQUIRED FOR INSTALLATION



INSTALLATION



CAUTION: The 1/8" 7x19 cable and lock is rated to 50 lbs (22.68 kg). It is the installer's responsibility to ensure that the weight ratings of the cable lock system are not exceeded.

Preparation

1. Measure the distance around the projector and cut tubing (C) to that length.
2. Insert cable (B) into tubing, centering tubing on length of cable.

Feeding Cable Through Cable Lock

NOTE: Cutting cable is not recommended. Instead, store excess cable in projector cage. If cable has been cut, solder cut end of cable to prevent unraveling.

1. Feed small length of cable into the cable lock (A), being sure to push the release button in direction of arrow printed on lock. (See Figure 1)

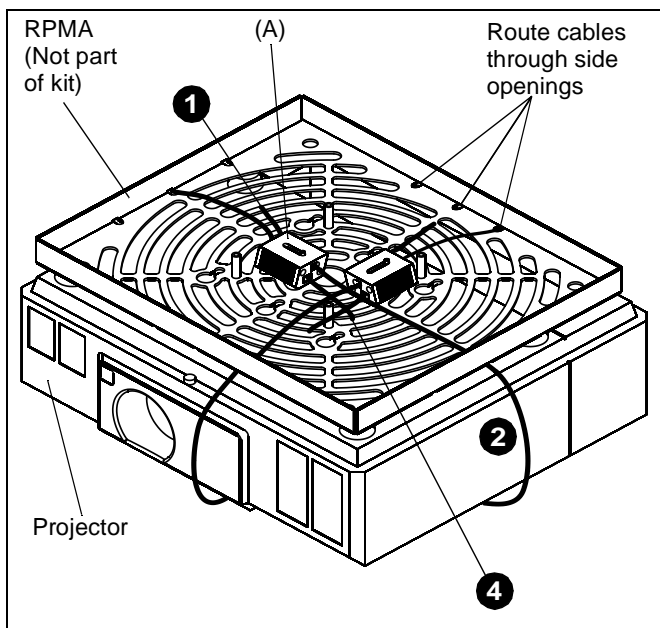


Figure 1

2. Take other end of cable and feed it around projector.
3. Center cable and tubing so that tubing is on the portion of cable wrapped around the projector.
4. Pass wire tail from Step 2 back through the remaining locking channel (See Figure 1).

Unlocking the Cable Lock

To unlock the cable lock:

1. Remove load from cable and cable lock.
2. Push release button in direction of arrow on cable lock.
3. Move cable freely.



8803-000085

©2007 Chief Manufacturing

www.chiefmfg.com

05/07

USA/International	A 8401 Eagle Creek Parkway, Savage, MN 55378 P 800.582.6480 / 952.894.6280 F 877.894.6918 / 952.894.6918
Europe	A Fellenoord 130 5611 ZB EINDHOVEN, The Netherlands P +31 (0)40 2668620 F +31 (0)40 2668615
Asia Pacific	A Room 30I, Block D, Lily YinDu International Building LuoGang, BuJi Town, Shenzhen, CHINA. Post Code: 518112 深圳市布吉罗岗百合银都国际大厦D栋30I P +86-755-8996 9226 ; 8996 9236 ; 8996 9220 F +86-755-8996 9217