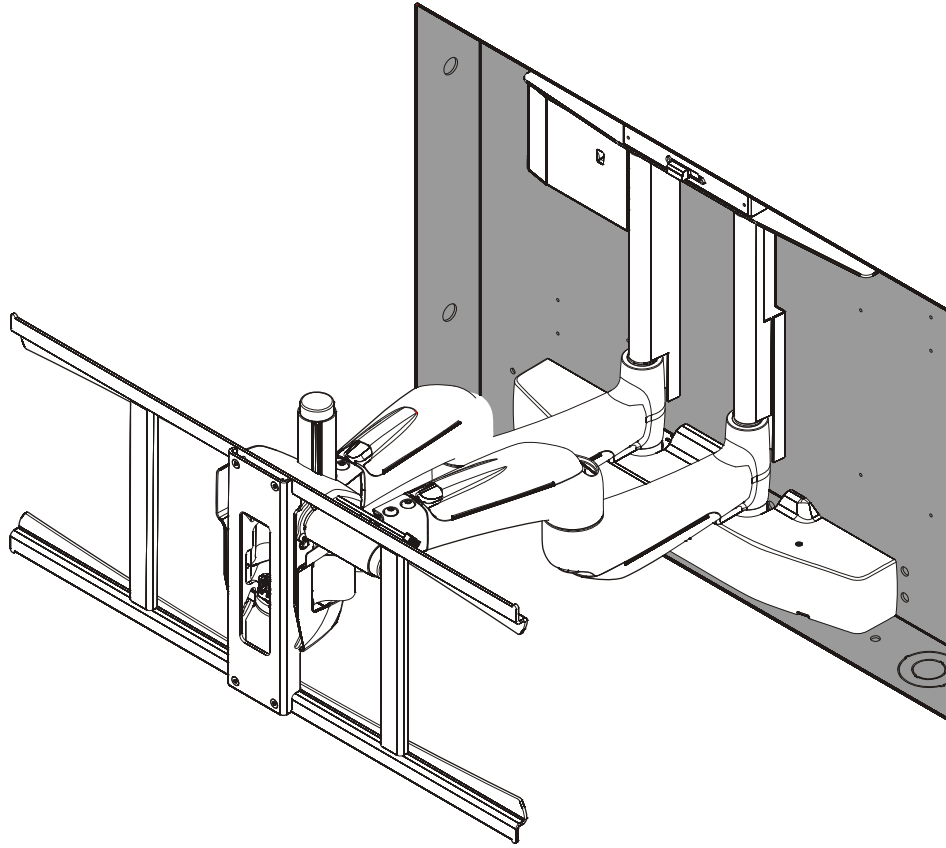

INSTALLATION INSTRUCTIONS



IN-WALL ENCLOSURE

DISCLAIMER

Milestone AV Technologies, and its affiliated corporations and subsidiaries (collectively, "Milestone"), intend to make this manual accurate and complete. However, Milestone makes no claim that the information contained herein covers all details, conditions or variations, nor does it provide for every possible contingency in connection with the installation or use of this product. The information contained in this document is subject to change without notice or obligation of any kind. Milestone makes no representation of warranty, expressed or implied, regarding the information contained herein. Milestone assumes no responsibility for accuracy, completeness or sufficiency of the information contained in this document.

Chief® is a trademark of Milestone AV Technologies.
All rights reserved.

DEFINITIONS

MOUNTING SYSTEM: A MOUNTING SYSTEM is the primary Chief product to which an accessory and/or component is attached.

ACCESSORY: AN ACCESSORY is the secondary Chief product which is attached to a primary Chief product, and may have a component attached or setting on it.

COMPONENT: A COMPONENT is an audiovisual item designed to be attached or resting on an accessory or mounting system such as a video camera, CPU, screen, display, projector, etc.



WARNING: A WARNING alerts you to the possibility of serious injury or death if you do not follow the instructions.



CAUTION: A CAUTION alerts you to the possibility of damage or destruction of equipment if you do not follow the corresponding instructions.



IMPORTANT SAFETY INSTRUCTIONS



WARNING: Failure to read, thoroughly understand, and follow all instructions can result in serious personal injury, damage to equipment, or voiding of factory warranty! It is the installer's responsibility to make sure all accessories are properly assembled and installed using the instructions provided.



WARNING: Failure to provide adequate structural strength for this accessory can result in serious personal injury or damage to equipment! It is the installer's responsibility to make sure the structure to which this accessory is attached can support five times the combined weight of all equipment. Reinforce the structure as required before installing the accessory. The wall to which the accessory is being attached may have a maximum drywall thickness of 5/8" (1.6cm).



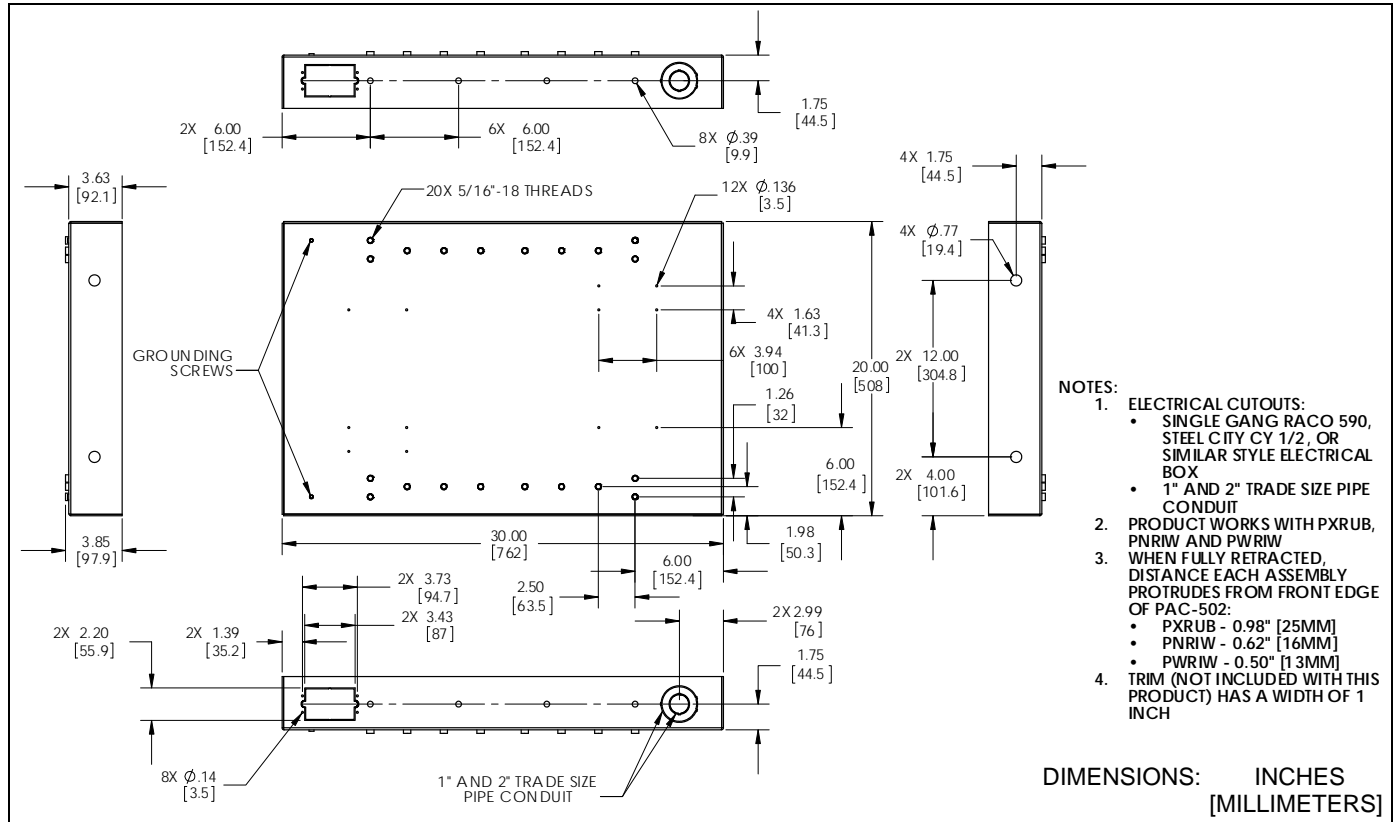
WARNING: Exceeding the weight capacity can result in serious personal injury or damage to equipment! It is the installer's responsibility to make sure the structure to which this accessory is attached can support the combined weight of the box and all equipment not to exceed 150 lbs (68.0 kg).

NOTES:

- It is the installer's responsibility to ensure that the enclosure is bonded to the ground in the switch box, in accordance with the National Electric Code, ANSI/NFPA 70 or Canadian Electrical Code, CSA C22.1. A green grounding screw is provided in the enclosure for the purpose, if required.
- The equipment shall be installed and assembled by qualified service personnel.
- Spacings - To ensure safe operation of the equipment installed in the enclosure, per National Electric Code ANSI/NFPA 70, a minimum separation between power cords and signal or communication cables may be required.
- This Cabinet System accessory is for use with Listed wall mounting systems. Refer to the individual mounting system's installation instructions for compatibility.

--SAVE THESE INSTRUCTIONS--

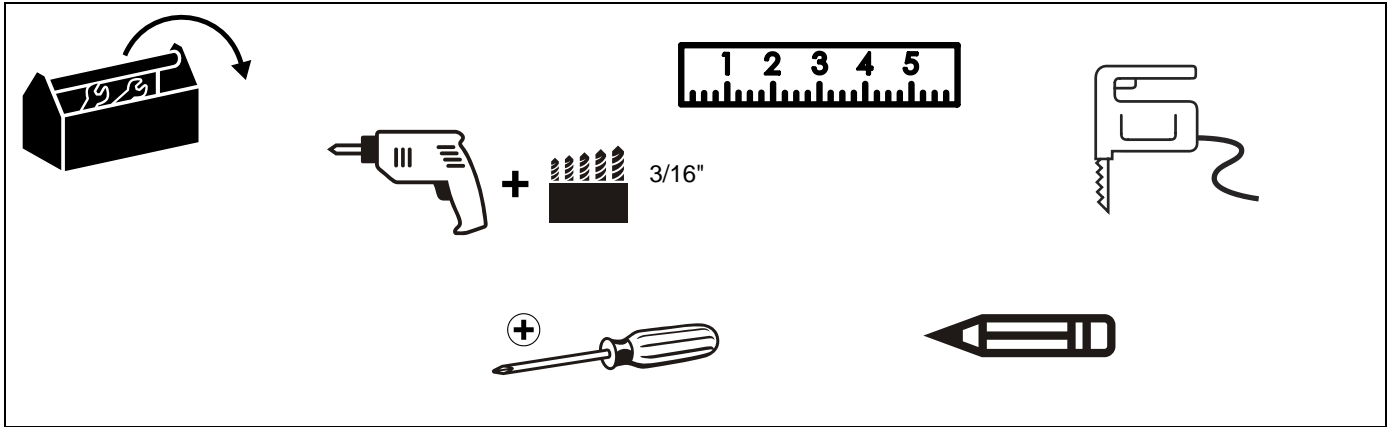
DIMENSIONS



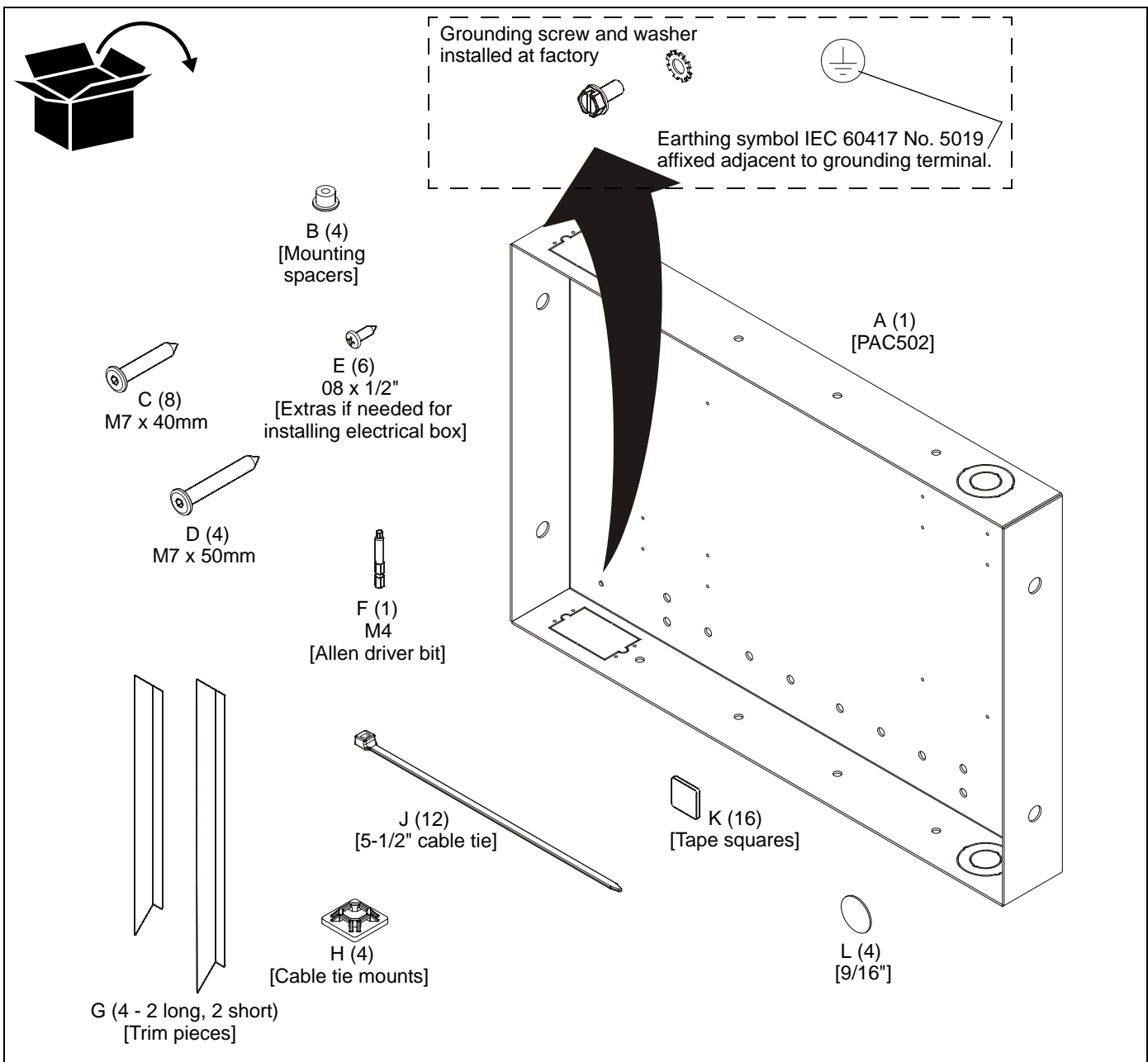
LEGEND

	<p>Tighten Fastener</p> <p>Apretar elemento de fijación</p> <p>Befestigungsteil festziehen</p> <p>Apertar fixador</p> <p>Serrare il fissaggio</p> <p>Bevestiging vastdraaien</p> <p>Serrez les fixations</p>		<p>Pencil Mark</p> <p>Marcar con lápiz</p> <p>Stiftmarkierung</p> <p>Marcar com lápis</p> <p>Segno a matita</p> <p>Potloodmerkteken</p> <p>Marquage au crayon</p>
	<p>Loosen Fastener</p> <p>Aflojar elemento de fijación</p> <p>Befestigungsteil lösen</p> <p>Desapertar fixador</p> <p>Allentare il fissaggio</p> <p>Bevestiging losdraaien</p> <p>Desserrez les fixations</p>		<p>Drill Hole</p> <p>Perforar</p> <p>Bohrloch</p> <p>Fazer furo</p> <p>Praticare un foro</p> <p>Gat boren</p> <p>Percez un trou</p>
	<p>Phillips Screwdriver</p> <p>Destornillador Phillips</p> <p>Kreuzschlitzschraubendreher</p> <p>Chave de fendas Phillips</p> <p>Cacciavite a stella</p> <p>Kruiskopschroevendraaier</p> <p>Tournevis à pointe cruciforme</p>		<p>Hex-Head Wrench</p> <p>Llave de cabeza hexagonal</p> <p>Sechskantschlüssel</p> <p>Chave de cabeça sextavada</p> <p>Chiave esagonale</p> <p>Zeskantsleutel</p> <p>Clé à tête hexagonale</p>

TOOLS REQUIRED FOR INSTALLATION



PARTS



INSTALLATION



WARNING: IMPROPER INSTALLATION CAN RESULT IN DEATH OR SERIOUS PERSONAL INJURY! This accessory should be installed by qualified personnel.

Site Preparation

Locate and Prepare Mounting Site

1. Identify a suitable wall location for the in-wall enclosure.

IMPORTANT ! : The PAC502 is designed for in-wall installation spanning a minimum of three wood studs, 16" on center. Installation of PAC502 in 2 x 4 wall results in nearly direct contact with vertical studs and back wall. Inadequate space will remain for electrical wires/cables, plumbing, ductwork, or insulation. Locate installation accordingly.



WARNING: ELECTRICAL SHOCK HAZARD! CUTTING OR DRILLING INTO ELECTRICAL WIRES OR CABLES CAN CAUSE DEATH OR SERIOUS PERSONAL INJURY! ALWAYS make certain area behind mounting surfaces is free of electrical wires and cables before cutting, drilling, or installing fasteners.



WARNING: EXPLOSION AND FIRE HAZARD! CUTTING OR DRILLING INTO GAS PLUMBING CAN CAUSE DEATH OR SERIOUS PERSONAL INJURY! ALWAYS make certain area behind mounting surfaces is free of gas, water, waste, or any other plumbing before cutting, drilling, or installing fasteners.

2. Using a stud sensor, locate and mark studs.
3. Center and level housing between marked studs.
4. Using PAC502 (A) as a template, draw pencil line completely around in-wall enclosure. (See Figure 1)
5. Cut drywall on *outside* edge of line and remove.

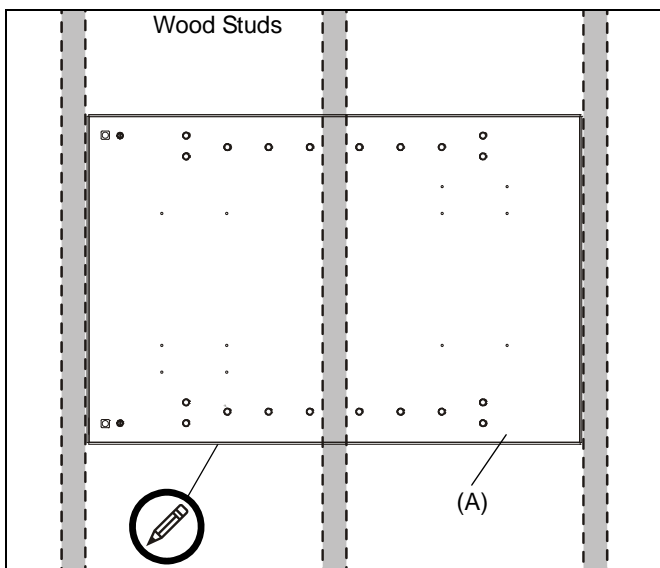


Figure 1

Frame Housing

The exposed portion of the center wood stud must be removed and the resulting cavity completely framed with wood. The following steps are suggested. The actual procedure is dependent upon the specific installation.



WARNING: STRUCTURAL FAILURE HAZARD! FAILURE TO TAKE ADEQUATE PRECAUTIONS CAN LEAD TO DEATH OR SERIOUS INJURY! Ensure removal of center stud will not cause unacceptable loss of structural strength. Consult a qualified building contractor and applicable building codes.

1. Remove exposed portion of center wood stud flush with upper and lower drywall edges.

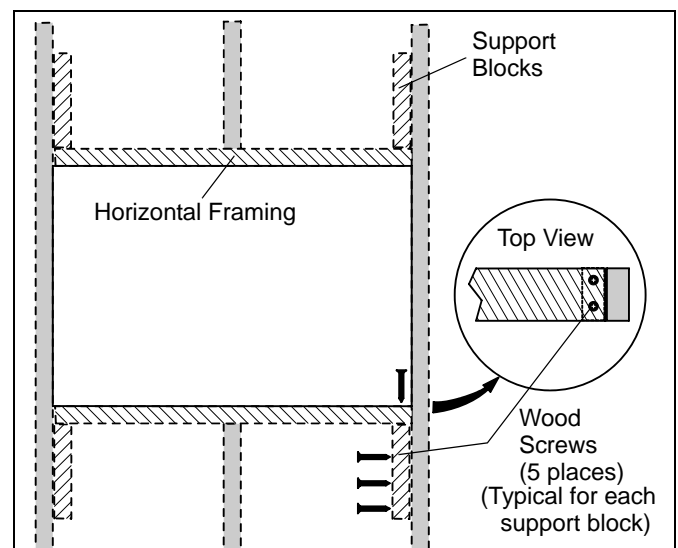


Figure 2

2. Cut four 8" long support blocks out of 2" x 4" wood.
3. Using three #10 x 2-1/2" countersunk wood screws (not provided), attach each support block to the studs (See Figure 2)

NOTE: Ensure screws are far enough from block end to prevent interference with framing screws installed in **In-Wall Enclosure Installation** section.

4. If necessary, cut rectangular hole in horizontal framing to accommodate the PAC-GB1 Listed electrical box accessory (not included).
5. Attach horizontal framing to each support block with two #10 x 2-1/2" countersunk wood screws (not provided). (See Figure 2)

In-Wall Enclosure Installation

1. Install PAC-GB1 Listed electrical box accessory (not included) into the PAC502 (A) following instructions included with the PAC-GB1.
2. Connect electrical wiring according to National Electrical Code (NEC) ANSI/NFPA 70 - 2008, wire connection requirements.
3. Route audio/visual cables into housing.

- Center PAC502 (A) in opening and insert into opening. Align front of box with front face of wall. (See Figure 3)

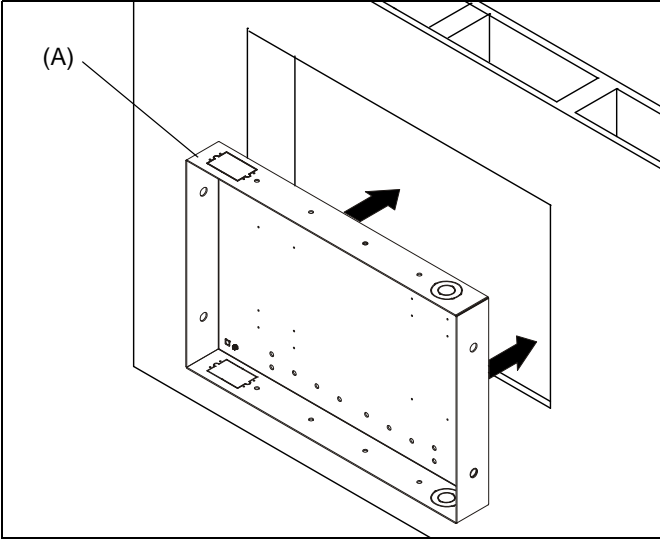


Figure 3

WARNING: ELECTRICAL SHOCK HAZARD! CUTTING OR DRILLING INTO ELECTRICAL WIRES OR CABLES CAN CAUSE DEATH OR SERIOUS PERSONAL INJURY! ALWAYS make certain area behind mounting surfaces is free of electrical wires and cables before cutting, drilling, or installing fasteners.

- Drill four 3/16" diameter pilot holes in studs at side mounting holes. (See Figure 4)
- Attach the PAC502 (A) to side studs using four M7 x 50mm Allen head connector screws (D) and mounting spacers (B) using an M4 Allen head drill bit (F). (See Figure 4)

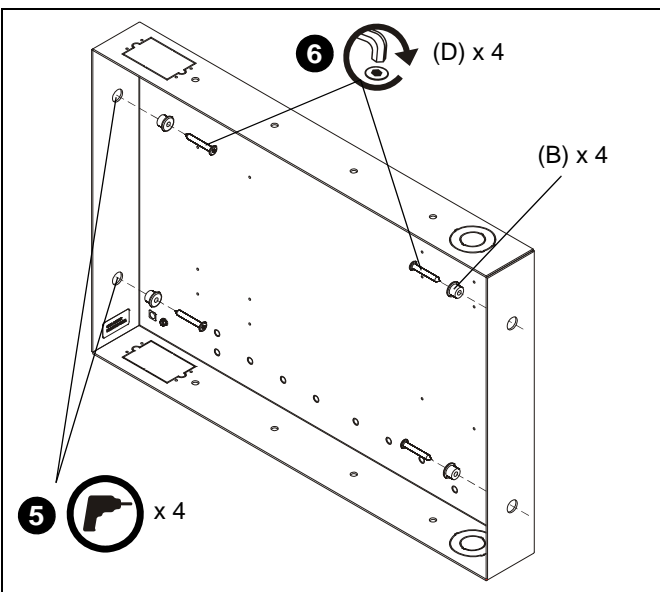


Figure 4

NOTE: The PAC502 has 1/2" total clearance between the two studs. The spacers allow side to side adjustment.

- Drill eight 3/16" diameter pilot holes in horizontal framing at top and bottom mounting holes. (See Figure 5)
- Attach the PAC502 (A) to horizontal framing using eight M7 x 40mm Allen head connector screws (C) using an M4 Allen head drill bit (F). (See Figure 5)

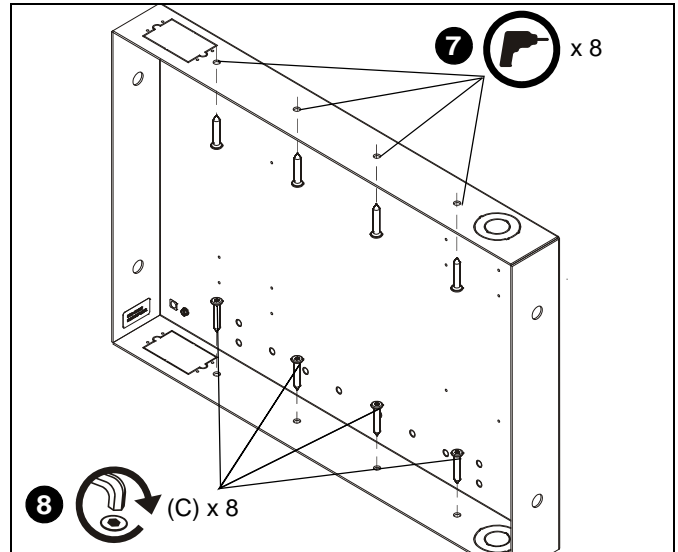


Figure 5

DANGER: IMPROPER WIRING CAN LEAD TO DEATH OR SEVERE PERSONAL INJURY! Grounding must be installed by qualified personnel using a UL Recognized No. 12AWG Green and Yellow grounding wire connected to grounding lug on mount.

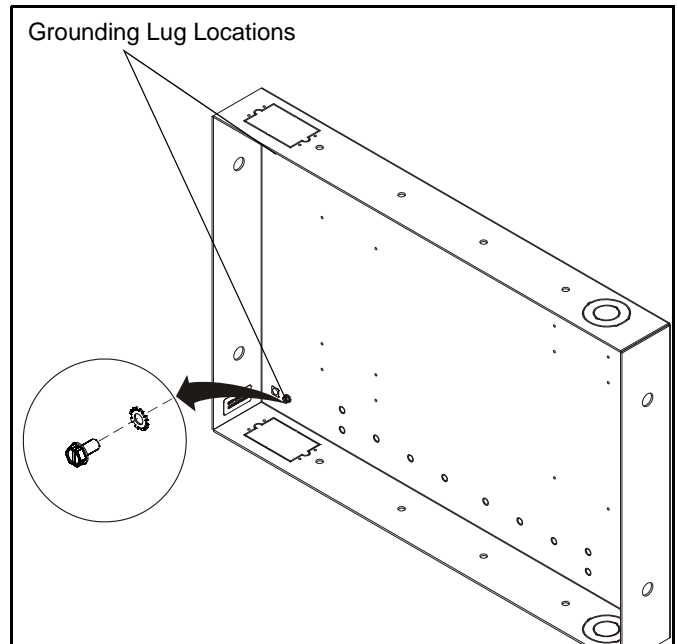
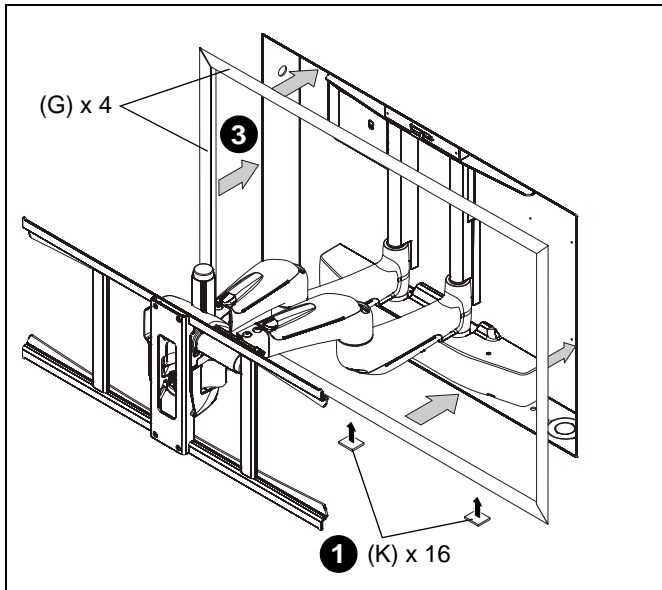


Figure 6

Trim Kit (Optional)

1. Remove paper covering adhesive and affix three tape squares (K) to inside lower flange of each trim piece (G). (See Figure 7)
2. Orient trim pieces (G). (See Figure 7)
3. Remove paper covering adhesive back from tape squares (K) on trim and press trim (G) against inner wall of box. (See Figure 7)

**Figure 7****Installing Mount Assembly**

1. Install mount assembly following instructions included with the mount.
2. OPTIONAL: Cover unused mounting holes in PAC502 with 9/16" caps (L).

Cable Management

1. Attach all cables to display.
2. If necessary, use cable tie mounts (H) and cable ties (J) to secure cables within PAC502.



Our Mounts. **Your Vision.**

Chief, a products division of
Milestone AV Technologies

8807-002019 Rev04
©2016 Milestone AV Technologies
www.milestone.com
04/16

USA/International	A 6436 City West Parkway, Eden Prairie, MN 55344 P 800.582.6480 / 952.225.6000 F 877.894.6918 / 952.894.6918
Europe	A Franklinstraat 14, 6003 DK Weert, Netherlands P +31 (0) 495 580 852 F +31 (0) 495 580 845
Asia Pacific	A Office No. 918 on 9/F, Shatin Galleria 18-24 Shan Mei Street Fotan, Shatin, Hong Kong P 852 2145 4099 F 852 2145 4477

