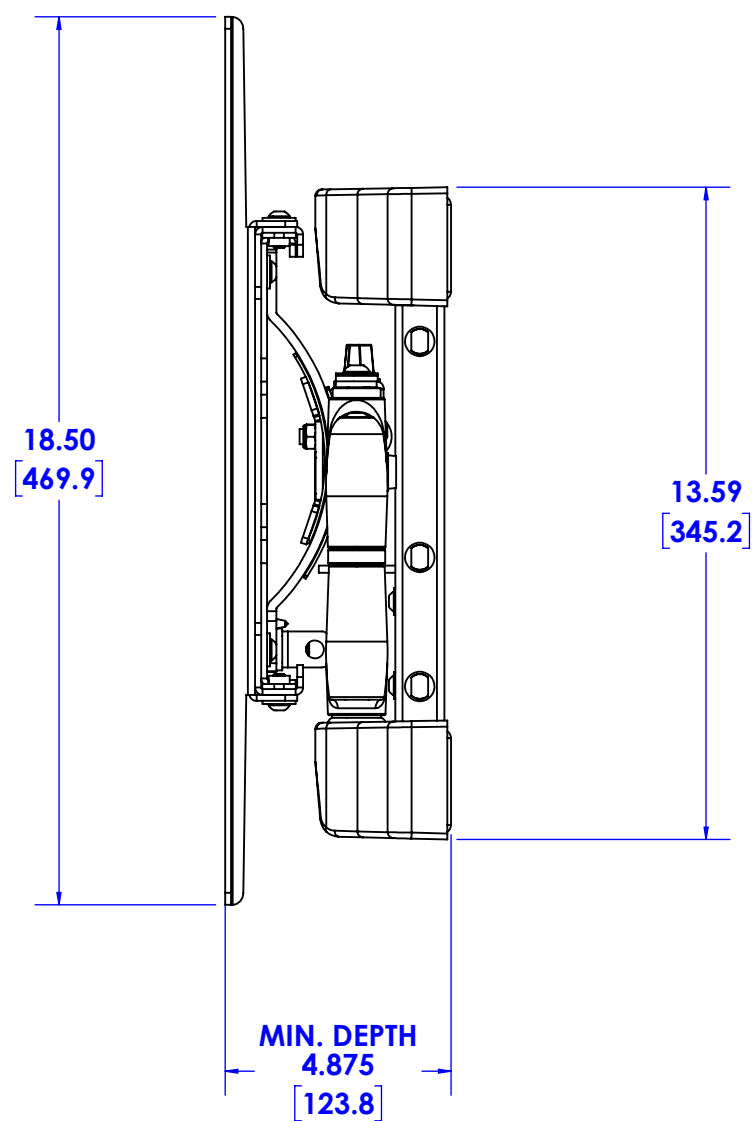
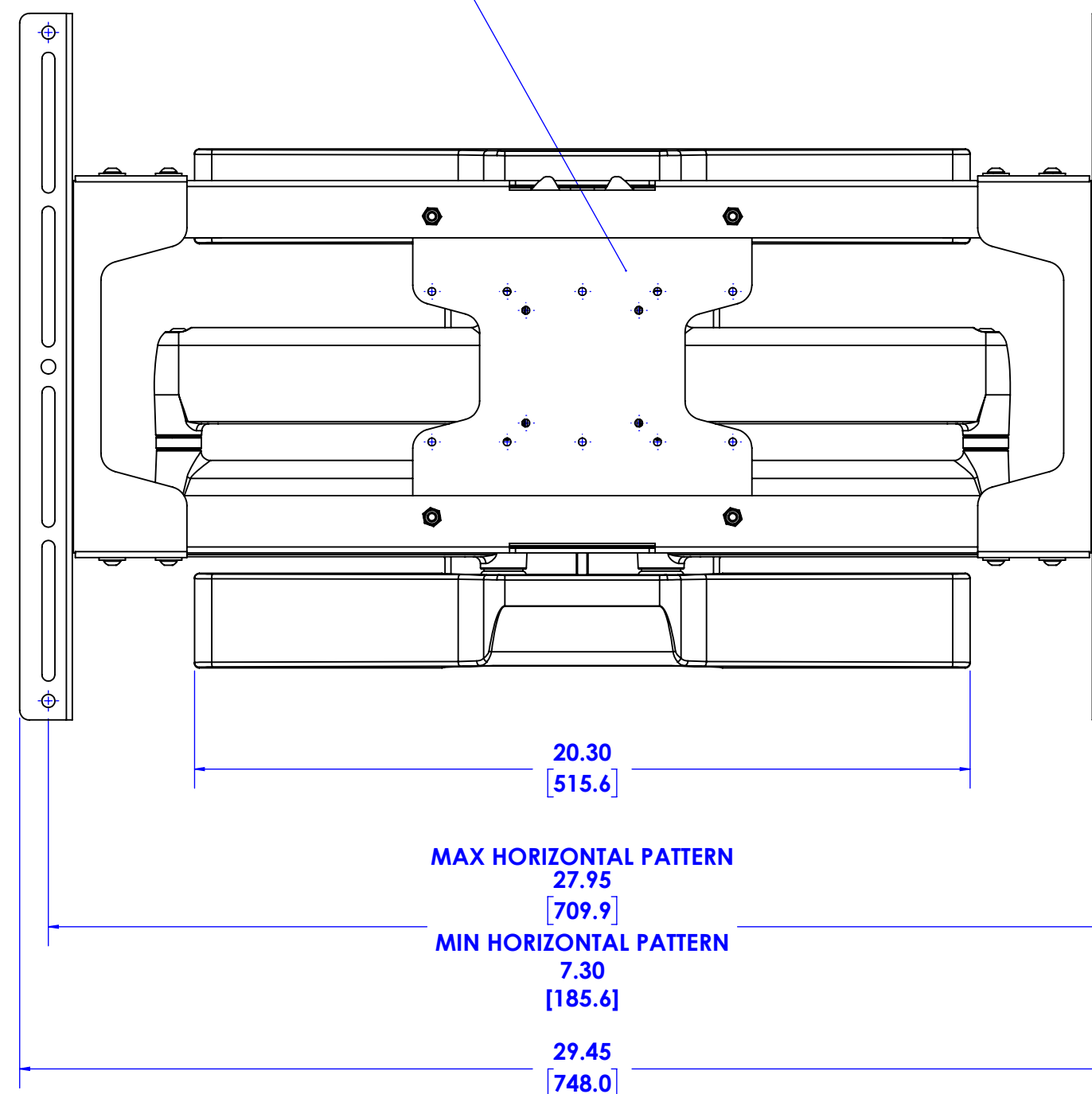
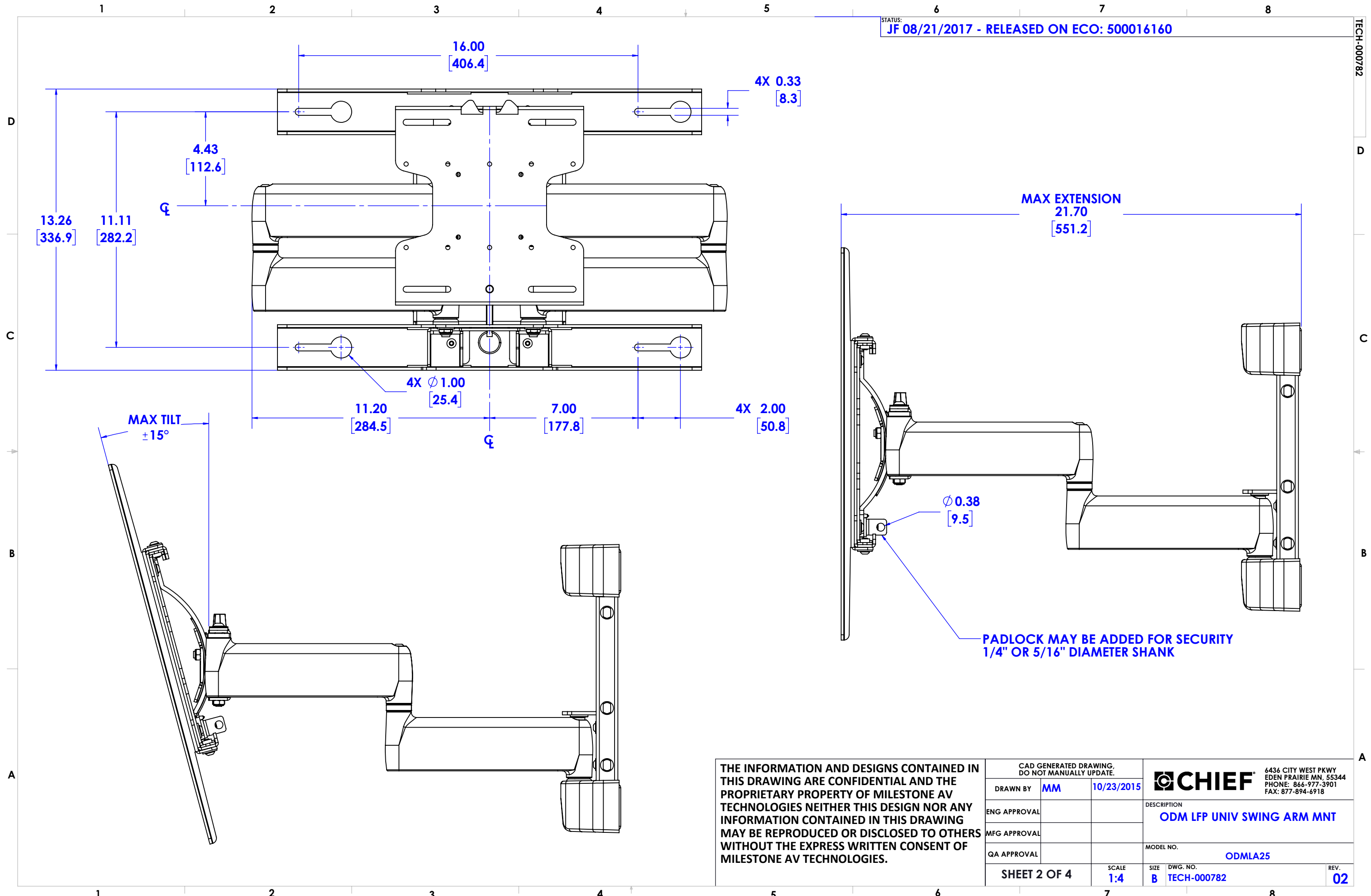


CENTER PLATE INCLUDES 75MM; 100MM & 200 X 100 MM MOUNTING PATTERNS



THE INFORMATION AND DESIGNS CONTAINED IN THIS DRAWING ARE CONFIDENTIAL AND THE PROPRIETARY PROPERTY OF MILESTONE AV TECHNOLOGIES NEITHER THIS DESIGN NOR ANY INFORMATION CONTAINED IN THIS DRAWING MAY BE REPRODUCED OR DISCLOSED TO OTHERS WITHOUT THE EXPRESS WRITTEN CONSENT OF MILESTONE AV TECHNOLOGIES.

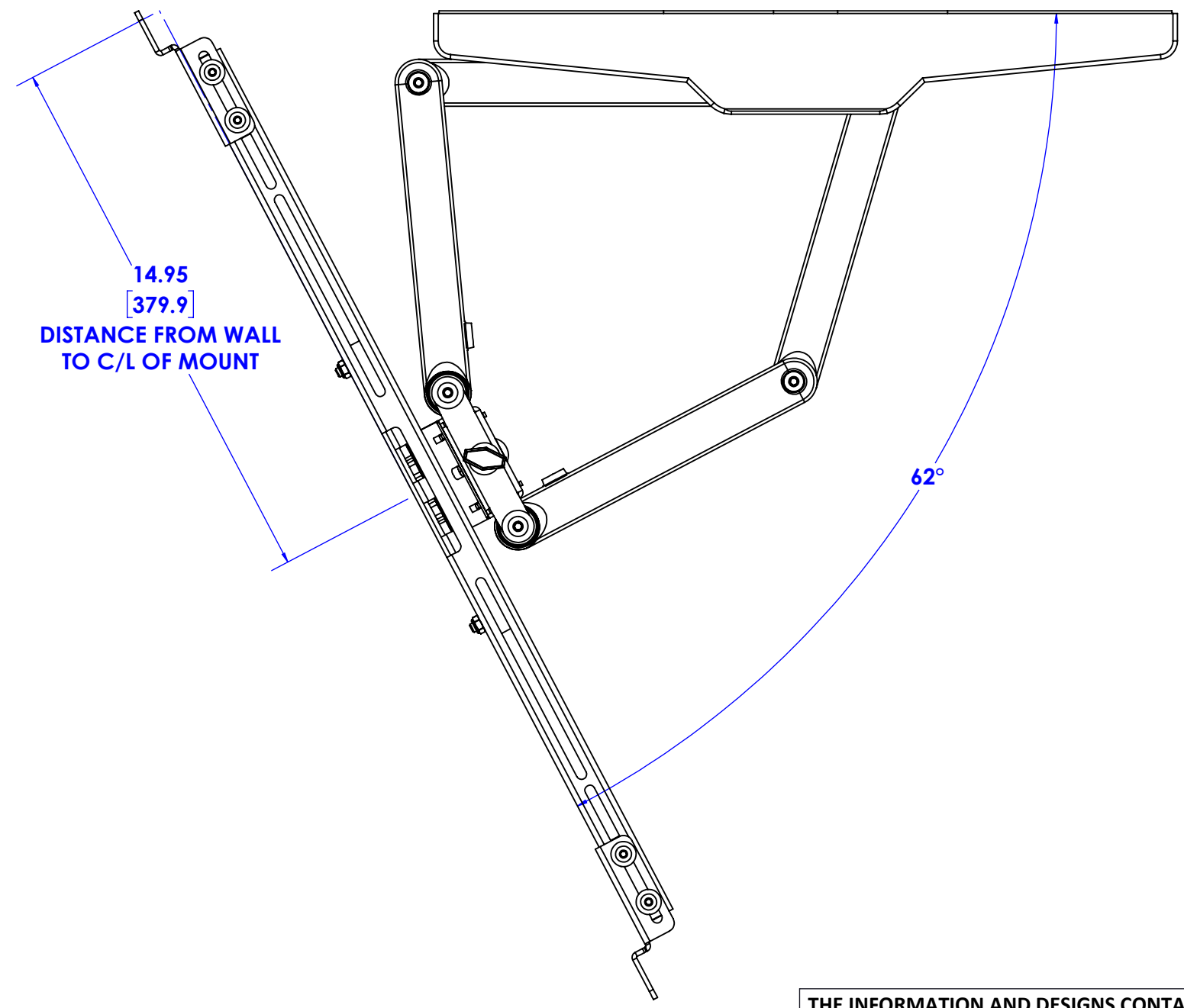
CAD GENERATED DRAWING, DO NOT MANUALLY UPDATE.			<b>CHIEF</b> 6436 CITY WEST PKWY EDEN PRAIRIE MN, 55344 PHONE: 866-977-3901 FAX: 877-894-6918	
DRAWN BY	MM	10/23/2015	DESCRIPTION <b>ODM LFP UNIV SWING ARM MNT</b>	
ENG APPROVAL			MODEL NO. <b>ODMLA25</b>	
MFG APPROVAL			SCALE	1:4
QA APPROVAL			SIZE	B
SHEET 1 OF 4		DWG. NO.	TECH-000782	
		REV.	02	



THE INFORMATION AND DESIGNS CONTAINED IN THIS DRAWING ARE CONFIDENTIAL AND THE PROPRIETARY PROPERTY OF MILESTONE AV TECHNOLOGIES NEITHER THIS DESIGN NOR ANY INFORMATION CONTAINED IN THIS DRAWING MAY BE REPRODUCED OR DISCLOSED TO OTHERS WITHOUT THE EXPRESS WRITTEN CONSENT OF MILESTONE AV TECHNOLOGIES.

CAD GENERATED DRAWING, DO NOT MANUALLY UPDATE.				6436 CITY WEST PKWY EDEN PRAIRIE MN, 55344 PHONE: 866-977-3901 FAX: 877-894-6918	
DRAWN BY	MM	10/23/2015		DESCRIPTION <b>ODM LFP UNIV SWING ARM MNT</b>	
ENG APPROVAL			MODEL NO. <b>ODMLA25</b>		
MFG APPROVAL			SIZE	DWG. NO.	REV.
QA APPROVAL			B	TECH-000782	02
SHEET 2 OF 4			SCALE		
			1:4		

**MAXIMUM SIDE SWIVEL**



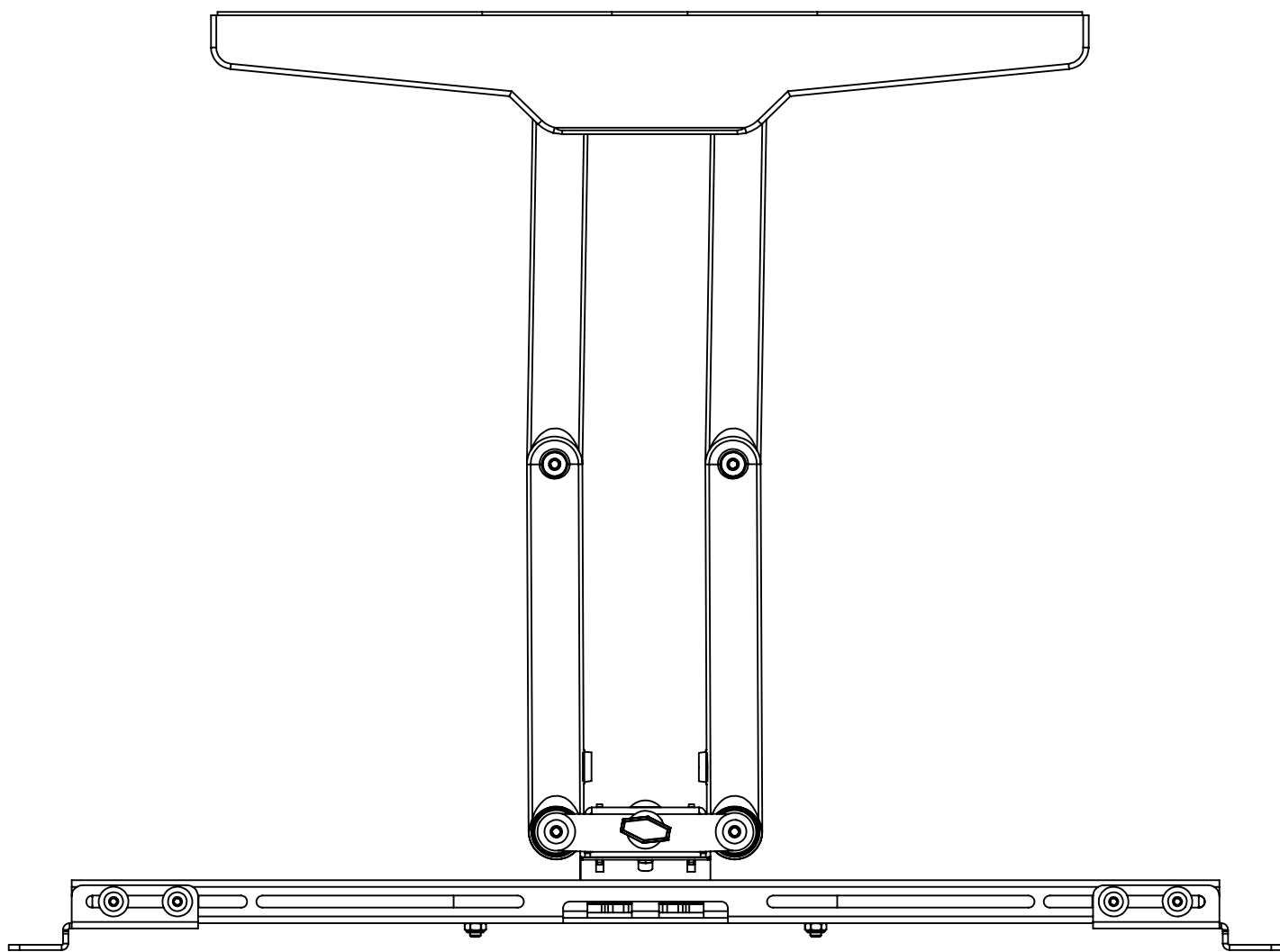
14.95  
[379.9]  
DISTANCE FROM WALL  
TO C/L OF MOUNT

62°

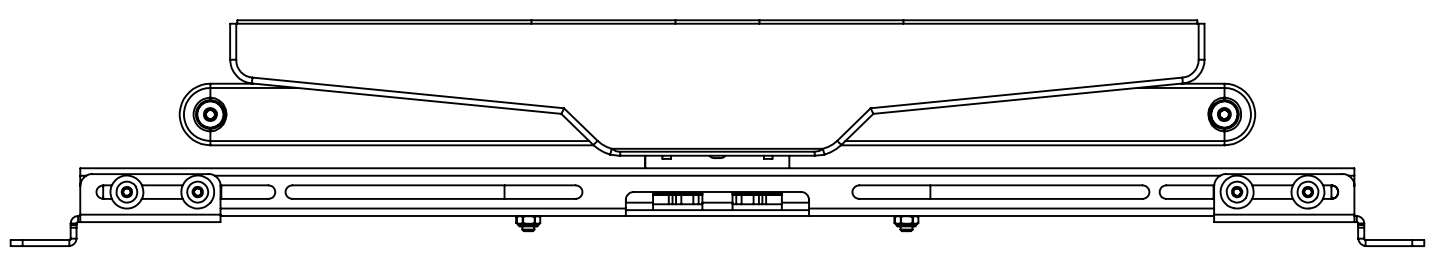
THE INFORMATION AND DESIGNS CONTAINED IN THIS DRAWING ARE CONFIDENTIAL AND THE PROPRIETARY PROPERTY OF MILESTONE AV TECHNOLOGIES NEITHER THIS DESIGN NOR ANY INFORMATION CONTAINED IN THIS DRAWING MAY BE REPRODUCED OR DISCLOSED TO OTHERS WITHOUT THE EXPRESS WRITTEN CONSENT OF MILESTONE AV TECHNOLOGIES.

CAD GENERATED DRAWING, DO NOT MANUALLY UPDATE.			<b>CHIEF</b> 6436 CITY WEST PKWY EDEN PRAIRIE MN, 55344 PHONE: 866-977-3901 FAX: 877-894-6918		
DRAWN BY	MM	10/23/2015	DESCRIPTION <b>ODM LFP UNIV SWING ARM MNT</b>		
ENG APPROVAL			MODEL NO. <b>ODMLA25</b>		
MFG APPROVAL			SIZE DWG. NO. <b>B TECH-000782</b>		
QA APPROVAL			REV. <b>02</b>		
SHEET 3 OF 4		SCALE <b>1:4</b>			


**MAXIMUM EXTENSION**



**MINIMUM EXTENTION**



THE INFORMATION AND DESIGNS CONTAINED IN THIS DRAWING ARE CONFIDENTIAL AND THE PROPRIETARY PROPERTY OF MILESTONE AV TECHNOLOGIES NEITHER THIS DESIGN NOR ANY INFORMATION CONTAINED IN THIS DRAWING MAY BE REPRODUCED OR DISCLOSED TO OTHERS WITHOUT THE EXPRESS WRITTEN CONSENT OF MILESTONE AV TECHNOLOGIES.

CAD GENERATED DRAWING, DO NOT MANUALLY UPDATE.			 6436 CITY WEST PKWY EDEN PRAIRIE MN, 55344 PHONE: 866-977-3901 FAX: 877-894-6918
DRAWN BY	MM	10/23/2015	
ENG APPROVAL			DESCRIPTION
MFG APPROVAL			<b>ODM LFP UNIV SWING ARM MNT</b>
QA APPROVAL			MODEL NO.
SHEET 4 OF 4			<b>ODMLA25</b>
SCALE	1:4	SIZE	DWG. NO.
		B	<b>TECH-000782</b>
			REV.
			<b>02</b>