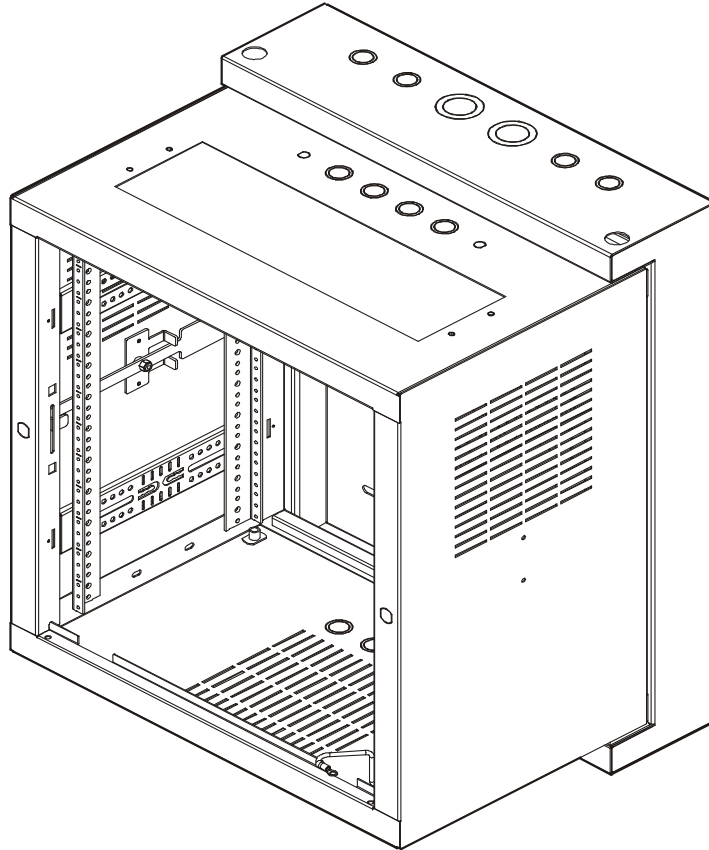


---

# INSTALLATION INSTRUCTIONS

---



---

## Sectional Wall Rack


---

## DISCLAIMER

Milestone AV Technologies and its affiliated corporations and subsidiaries (collectively "Milestone"), intend to make this manual accurate and complete. However, Milestone makes no claim that the information contained herein covers all details, conditions or variations, nor does it provide for every possible contingency in connection with the installation or use of this product. The information contained in this document is subject to change without notice or obligation of any kind. Milestone makes no representation of warranty, expressed or implied, regarding the information contained herein. Milestone assumes no responsibility for accuracy, completeness or sufficiency of the information contained in this document.


Chief® is a registered trademark of Milestone AV Technologies. All rights reserved.


## IMPORTANT SAFETY INSTRUCTIONS


 **WARNING:** A WARNING alerts you to the possibility of serious injury or death if you do not follow the instructions.


 **CAUTION:** A CAUTION alerts you to the possibility of damage or destruction of equipment if you do not follow the corresponding instructions.


 **WARNING:** Failure to read, thoroughly understand, and follow all instructions can result in serious personal injury, damage to equipment, or voiding of factory warranty! It is the installer's responsibility to make sure all components are properly assembled and installed using the instructions provided.

 **WARNING:** Failure to provide adequate structural strength for this component can result in serious personal injury or damage to equipment! It is the installer's responsibility to make sure the structure to which this component is attached can support five times the combined weight of all equipment. Reinforce the structure as required before installing the component. The wall to which the mount is being attached may have a maximum drywall thickness of 5/8" (1.6cm).

 **WARNING:** Exceeding the weight capacity can result in serious personal injury or damage to equipment! It is the installer's responsibility to make sure the combined weight of all components located within the rack does not exceed 300 lbs (136.1 kg). Use with products heavier than the maximum weight indicated may result in instability or collapse of the rack causing possible injury.

 **WARNING:** Use this mounting system only for its intended use as described in these instructions. Do not use attachments not recommended by the manufacturer.

 **WARNING:** Never operate this mounting system if it is damaged. Return the mounting system to a service center for examination and repair.

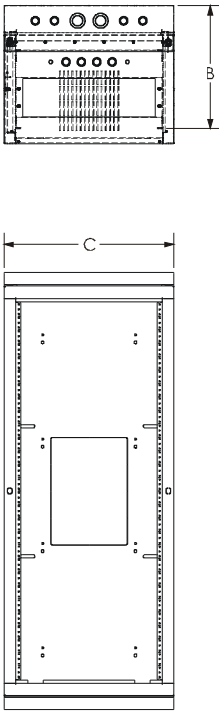
 **WARNING:** Do not use this product outdoors.

**IMPORTANT ! :** Minimum spacings between the Accessories and components and the (AV) Equipment Cabinet shall be maintained for safe operation of the equipment when installed in accordance with the National Electric Code, ANSI/NFPA 70-2008. Operating temperature inside rack shall not exceed 104° F.

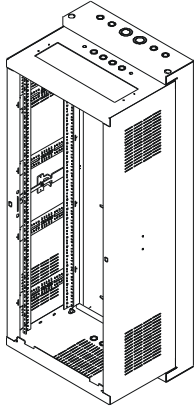
**IMPORTANT ! :** The W1 sectional wall racks are designed to be mounted to a 2" x 4" wood studs (16" on center) wall.

**--SAVE THESE INSTRUCTIONS--**

**DIMENSIONS**





MODEL	WEIGHT CAPACITY	RACKING HEIGHT	OVERALL DEPTH (A)	USABLE DEPTH (B)	WIDTH (C)	HEIGHT (D)	CENTER SECTION DEPTH (E)
NW1F1218	300 (136)	12	18 (457)	16.0 (406)	22.13 (562)	28.9 (734)	14.1 (358)
NW1F1223	300 (136)	12	23 (584)	21.0 (533)	22.13 (562)	28.9 (734)	19.1 (485)
NW1F2018	300 (136)	20	18 (457)	16.0 (406)	22.13 (562)	42.9 (1089)	14.1 (358)
NW1F2023	300 (136)	20	23 (584)	21.0 (533)	22.13 (562)	42.9 (1089)	19.1 (485)
NW1F2818	300 (136)	28	18 (457)	16.0 (406)	22.13 (562)	56.9 (1445)	14.1 (358)
NW1F2823	300 (136)	28	23 (584)	21.0 (533)	22.13 (562)	56.9 (1445)	19.1 (485)
NW1F2828	300 (136)	28	28 (711)	26.0 (660)	22.13 (562)	56.9 (1445)	24.1 (612)
NW1F3618	300 (136)	36	18 (457)	16.0 (406)	22.13 (562)	70.9 (1800)	14.1 (358)
NW1F3623	300 (136)	36	23 (584)	21.0 (533)	22.13 (562)	70.9 (1800)	19.1 (485)
NW1F3628	300 (136)	36	28 (711)	26.0 (660)	22.13 (562)	70.9 (1800)	24.1 (612)

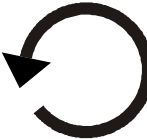



NW1F2818 SHOWN


**LEGEND**


	<b>Tighten Fastener</b>
	Apretar elemento de fijación
	Befestigungsteil festziehen
	Apertar fixador
	Serrare il fissaggio
	Bevestiging vastdraaien
	Serrez les fixations

	<b>Pencil Mark</b>
	Marcar con lápiz
	Stiftmarkierung
	Marcar com lápis
	Segno a matita
	Potloodmerkten
	Marquage au crayon

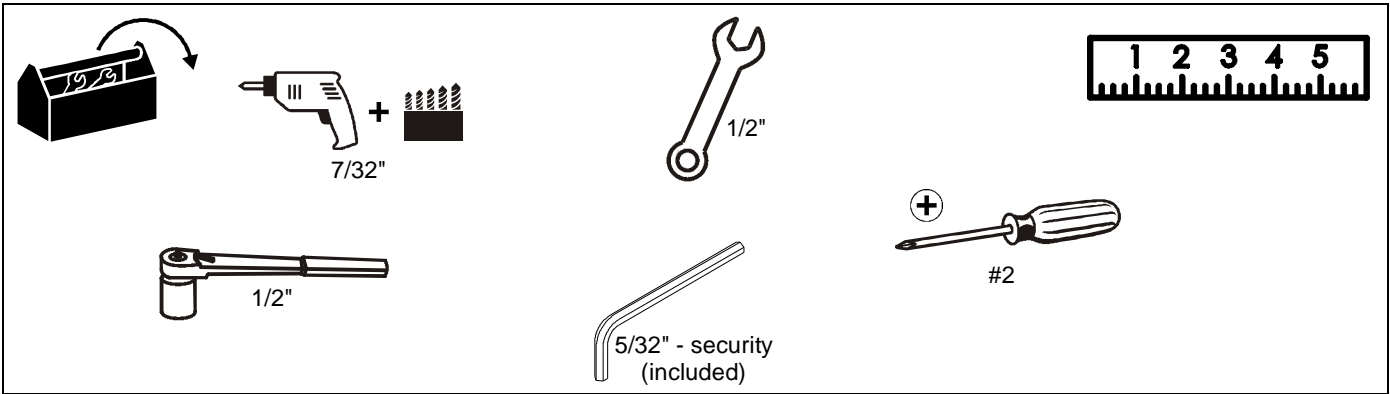
	<b>Loosen Fastener</b>
	Aflojar elemento de fijación
	Befestigungsteil lösen
	Desapertar fixador
	Allentare il fissaggio
	Bevestiging losdraaien
	Desserrez les fixations

	<b>Drill Hole</b>
	Perforar
	Bohrloch
	Fazer furo
	Praticare un foro
	Gat boren
	Percez un trou

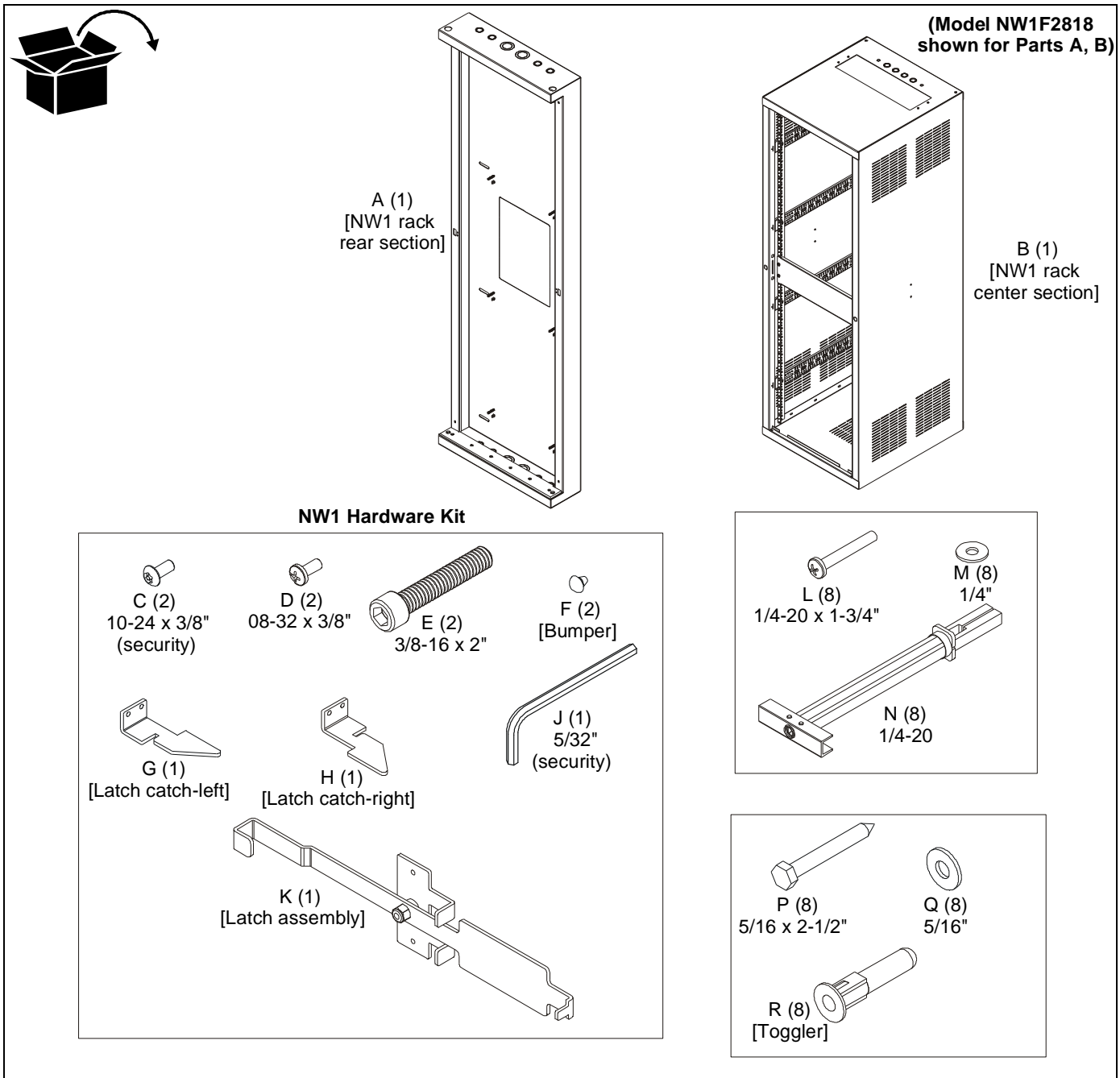
	<b>Phillips Screwdriver</b>
	Destornillador Phillips
	Kreuzschlitzschraubendreher
	Chave de fendas Phillips
	Cacciavite a stella
	Kruiskopschroevendraaier
	Tournevis à pointe cruciforme

	<b>Security Wrench</b>
	Llave de seguridad
	Sicherheitsschlüssel
	Chave de segurança
	Chiave di sicurezza
	Veiligheidsleutel
	Clé de sécurité

**TOOLS REQUIRED FOR INSTALLATION**



**PARTS**



## INTRODUCTION

The NW1 wall racks have been designed to be mounted onto a 2" x 4" wood stud (16" on center) wall.

**IMPORTANT ! :** Do NOT load wall rack until after installation is complete.

## INSTALLATION

### Locate Mounting Site



**WARNING:** IMPROPER INSTALLATION CAN LEAD TO MOUNT FALLING CAUSING SEVERE PERSONAL INJURY OR DAMAGE TO EQUIPMENT! It is the installers responsibility to make certain the structure to which the mount is being attached is capable of supporting five times the weight of the NW1 and all attached equipment.

### Installing to a Wood Stud Wall

Determine location of NW1 wall rack, ensuring it is centered between wood studs and will be attached to two 2" x 4" studs.

**NOTE:** Decide on which side of the NW1 rack the hinge will be located. It is possible to place the rack near a corner, if required, since it is possible to operate the latch from the front of the rack.



**WARNING:** ELECTRICAL SHOCK HAZARD! CUTTING OR DRILLING INTO ELECTRICAL CORDS OR CABLES CAN CAUSE DEATH OR SERIOUS PERSONAL INJURY! ALWAYS make certain area behind mounting surface is free of electrical wires and cables before drilling or installing fasteners.



**WARNING:** EXPLOSION AND FIRE HAZARD! CUTTING OR DRILLING INTO GAS PLUMBING CAN CAUSE DEATH OR SERIOUS PERSONAL INJURY! ALWAYS make certain area behind mounting surface is free of gas, water, waste, or any other plumbing before cutting, drilling, or installing fasteners.

1. Using the rack rear section (A) as a template, mark the wall at the center of each stud through top mounting slots. (See Figure 1)
2. Drill one 7/32" pilot hole at both marks made in Step 1. (See Figure 1)
3. Loosely install two 5/16 x 2-1/2" lag bolts (P) and two 5/16" flat washers (Q) into pilot holes.
4. Hang rack rear section (A) onto lag bolts, and slide to narrow section of mounting slots. (See Figure 1)
5. Tighten lag bolts installed in Step 3.
6. Mark the attachment points for the lower mounting slots, making sure the attachment points are centered on the studs. (See Figure 2)

**NOTE:** The number of mounting slots varies and is dependent upon NW1 model being installed.

7. Drill 7/32" pilot holes at markings for lower mounting holes. (See Figure 2)
8. Use 5/16 x 2-1/2" lag bolts (P) and 5/16" flat washers (Q) to complete installing rack rear section (A) to the wall through the lower mounting holes. (See Figure 2)

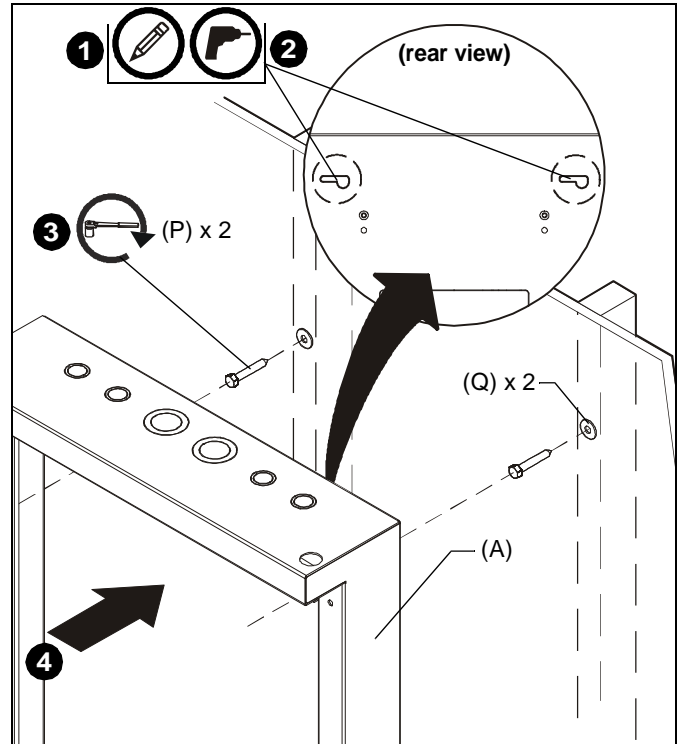


Figure 1

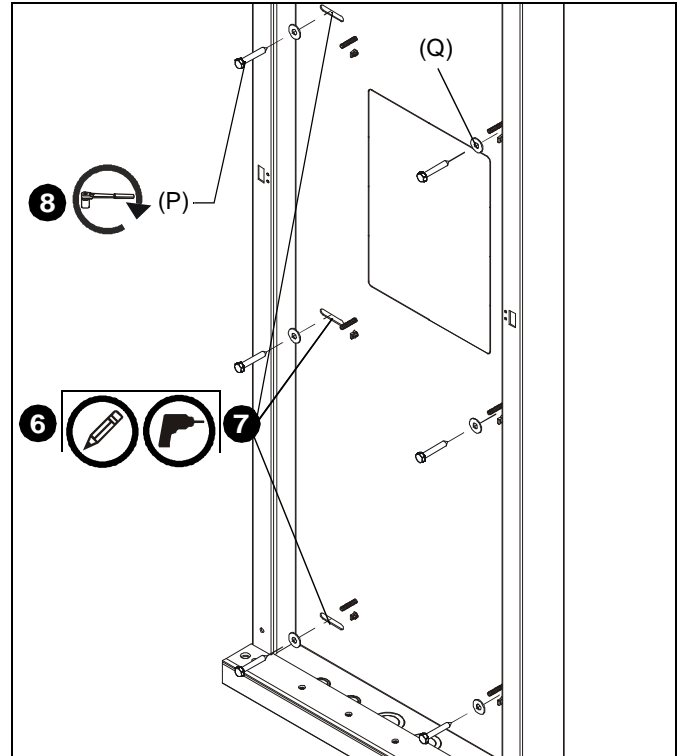


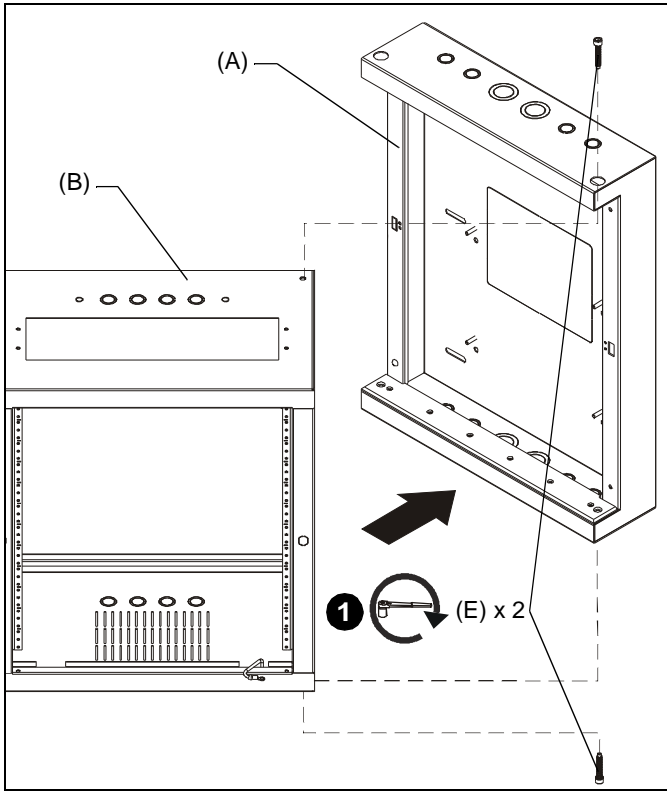
Figure 2

**ASSEMBLY**

**NOTE:** The NW1 rack may be assembled so that the hinge is located on either the left or the right.

**Assembling Rack Sections**

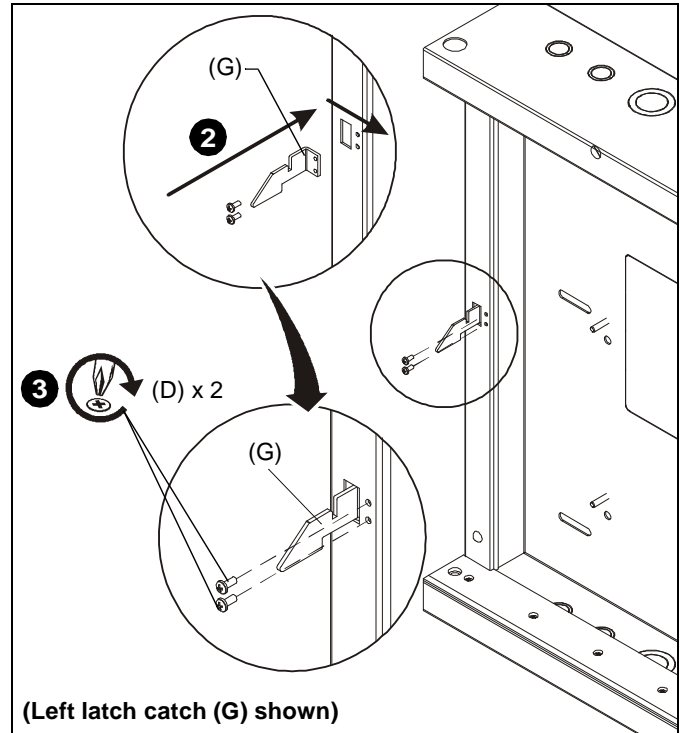
1. Attach the rack center section (B) to the rack rear section (A) using two 3/8-16 x 2" socket head cap screws (E). (See Figure 3)



**Figure 3**

**Latch Catch**

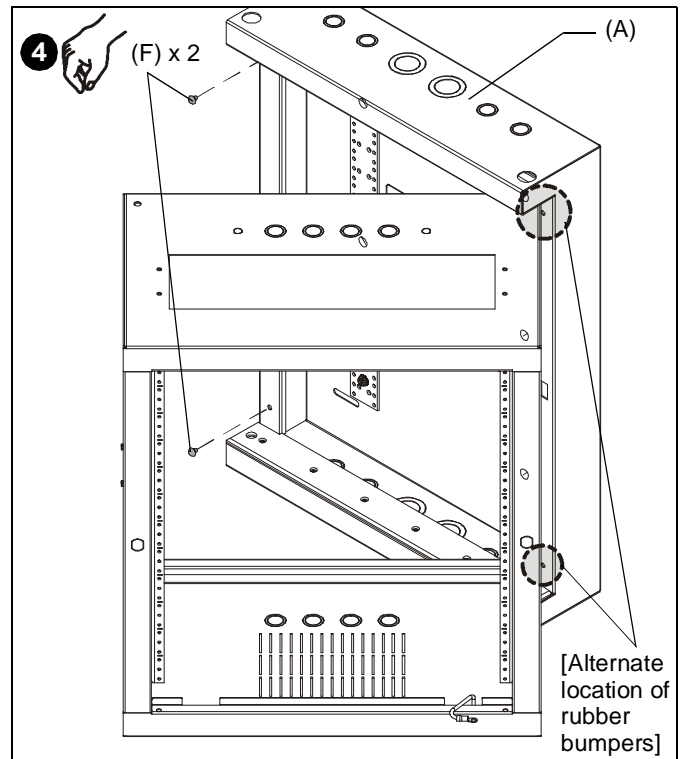
2. Insert appropriate latch catch [left or right (G or H)] into slot in NW1 rack and adjust latch catch so that holes in latch catch match up with holes in rack. (See Figure 4)
3. Attach latch catch using two 08-32 x 3/8" Phillips pan head screws (D). (See Figure 4)



**Figure 4**

**Rubber Bumpers**

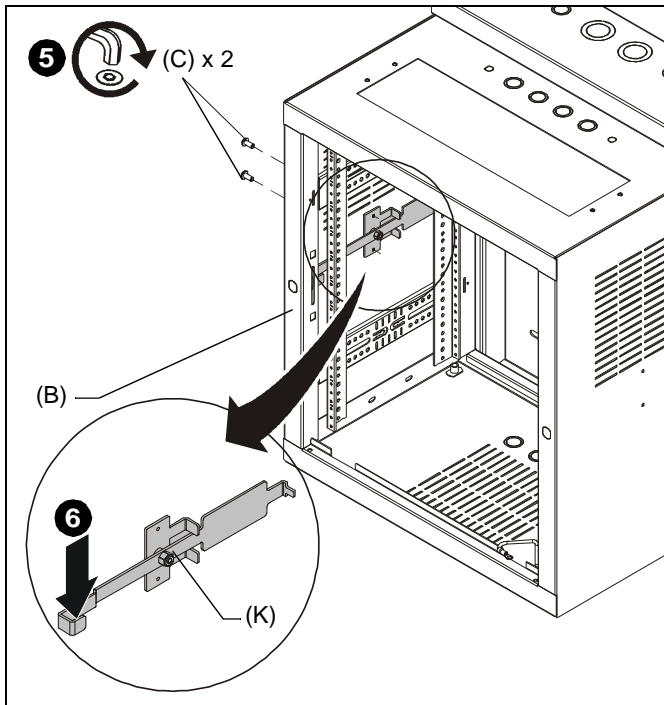
4. Add rubber bumpers (F) to front of rack rear section (A) on side opposite the hinges. (See Figure 5)



**Figure 5**

**Latch Assembly**

5. Add latch assembly (K) to inside of rack center section (B) using two 10-24 x 3/8" button head security screws (C) from outside of rack.
6. Open rack by pushing down on outside end of latch assembly. (See Figure )



**Figure 6**

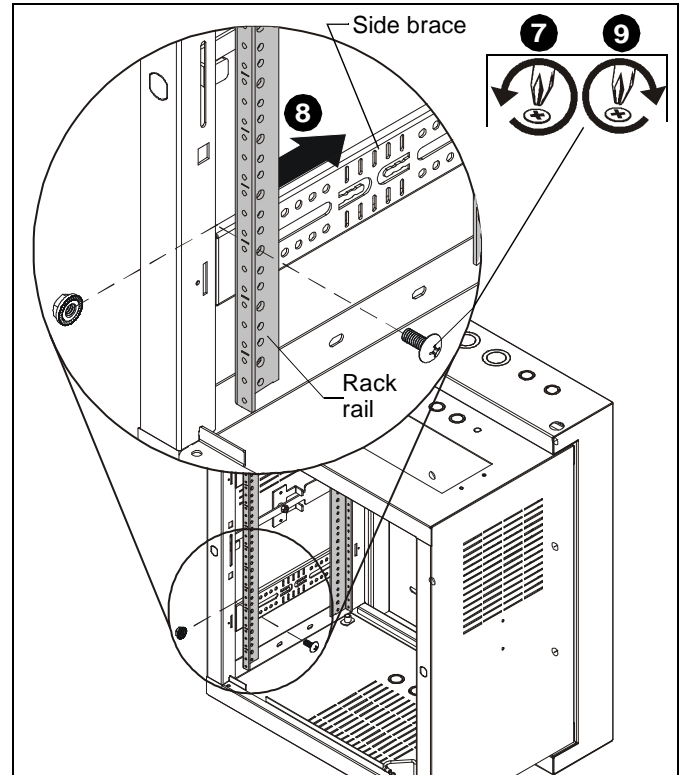
**Adjusting Rack Rail**

The rack rails may be adjusted. (See Figure 7)

7. Loosen rack rail screws and nuts from side braces.

**NOTE:** The number of rack rail screws varies dependent on rack model.

8. Slide rack rail forward or back, as required.
9. Tighten rack rail screws into nuts, and torque to 5 ft-lbs.



**Figure 7**

**LOADING THE RACK**

**NOTE:** The alignment panels shipped with the racks are optional. They may be removed to facilitate loading of the racks.

**Load Distribution**



**CAUTION:** BEGIN PLACEMENT OF LOAD AT BOTTOM OF RACK! Load rack, moving from bottom toward top of rack. Loading rack incorrectly may result in instability causing possibly injury and/or damage to components.

1. Begin placement of components into the rack at the lowest point.

**NOTE:** Continue placing items into the rack, moving from the bottom upward.



**CAUTION:** The top of the unit should not be used as a shelf.



**CAUTION:** DISTRIBUTE LOAD CORRECTLY! Load rack with 2/3 total weight of components in the lower half of rack. Loading rack incorrectly may result in instability causing possible injury and/or damage to components.



Our Mounts. **Your Vision.**

Chief Manufacturing, a products division  
of Milestone AV Technologies

8800-002098 Rev01  
©2012 Milestone AV Technologies, a  
Duchossois Group Company  
[www.chiefmfg.com](http://www.chiefmfg.com)  
08/12

<b>USA/International</b>	<b>A</b> 6436 City West Parkway, Eden Prairie, MN 55344 <b>P</b> 800.582.6480 / 952.225.6000 <b>F</b> 877.894.6918 / 952.894.6918
<b>Europe</b>	<b>A</b> Franklinstraat 14, 6003 DK Weert, Netherlands <b>P</b> +31 (0) 495 580 852 <b>F</b> +31 (0) 495 580 845
<b>Asia Pacific</b>	<b>A</b> Office No. 1 on 12/F, Shatin Galleria 18-24 Shan Mei Street Fotan, Shatin, Hong Kong <b>P</b> 852 2145 4099 <b>F</b> 852 2145 4477

