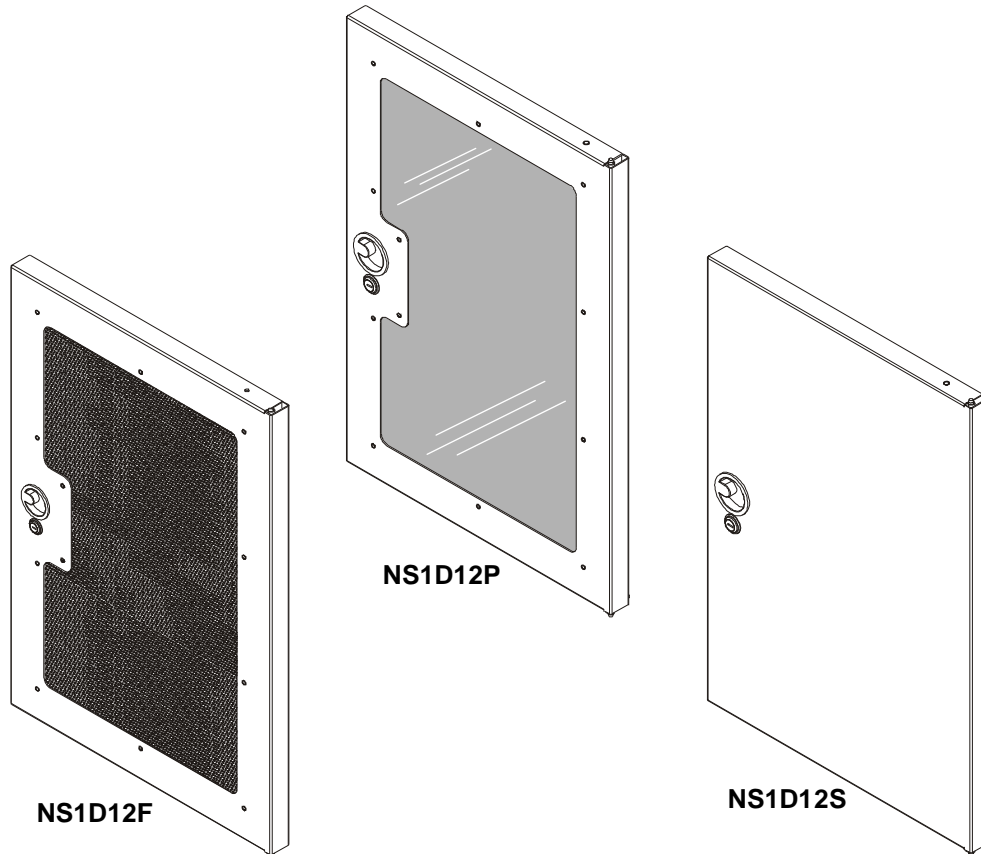


---

# INSTALLATION INSTRUCTIONS

---



---

## S1 Racks Doors

---

## DISCLAIMER

Milestone AV Technologies and its affiliated corporations and subsidiaries (collectively "Milestone"), intend to make this manual accurate and complete. However, Milestone makes no claim that the information contained herein covers all details, conditions or variations, nor does it provide for every possible contingency in connection with the installation or use of this product. The information contained in this document is subject to change without notice or obligation of any kind. Milestone makes no representation of warranty, expressed or implied, regarding the information contained herein. Milestone assumes no responsibility for accuracy, completeness or sufficiency of the information contained in this document.

Chief® is a registered trademark of Milestone AV Technologies. All rights reserved.



## IMPORTANT WARNINGS AND CAUTIONS!



**WARNING:** A WARNING alerts you to the possibility of serious injury or death if you do not follow the instructions.



**CAUTION:** A CAUTION alerts you to the possibility of damage or destruction of equipment if you do not follow the corresponding instructions.

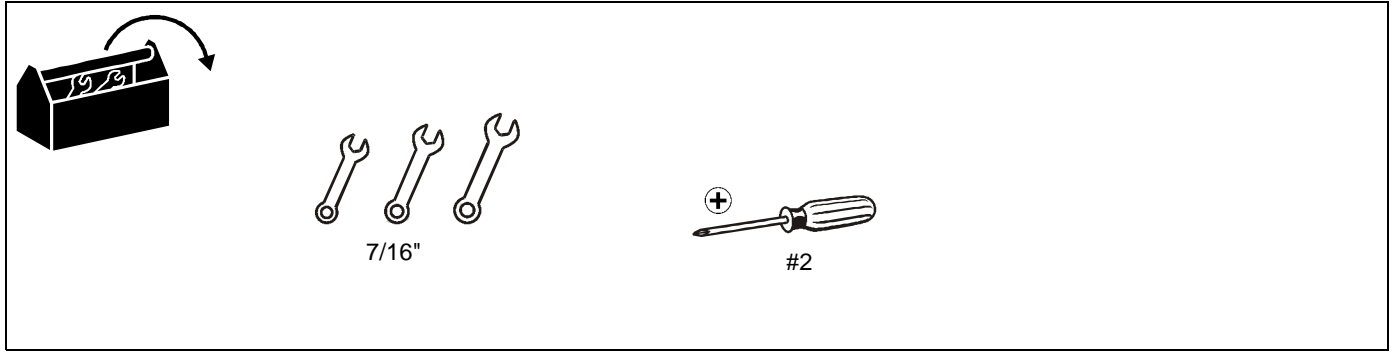


**WARNING:** Failure to read, thoroughly understand, and follow all instructions can result in serious personal injury, damage to equipment, or voiding of factory warranty! It is the installer's responsibility to make sure all components are properly assembled and installed using the instructions provided.

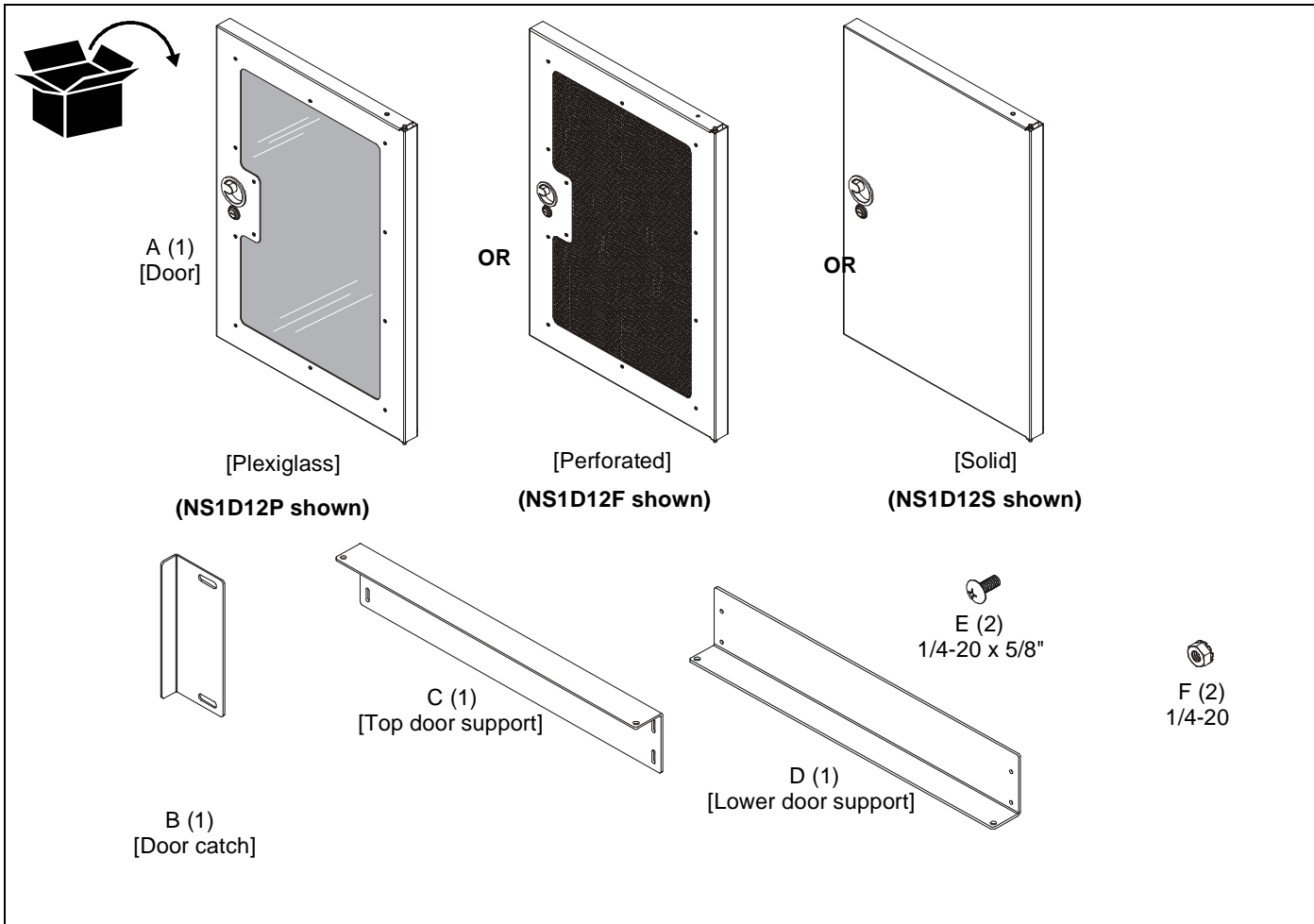
## LEGEND

	<b>Tighten Fastener</b>
	Apretar elemento de fijación
	Befestigungsteil festziehen
	Apertar fixador
	Serrare il fissaggio
	Bevestiging vastdraaien
Serrez les fixations	
	<b>Loosen Fastener</b>
	Aflojar elemento de fijación
	Befestigungsteil lösen
	Desapertar fixador
	Allentare il fissaggio
	Bevestiging losdraaien
Desserrez les fixations	
	<b>Open-Ended Wrench</b>
	Llave de boca
	Gabelschlüssel
	Chave de bocas
	Chiave a punta aperte
	Steeksleutel
Clé à fourche	
	<b>Phillips Screwdriver</b>
	Destornillador Phillips
	Kreuzschlitzschraubendreher
	Chave de fendas Phillips
	Cacciavite a stella
	Kruiskopschroevendraaier
Tournevis à pointe cruciforme	

### TOOLS REQUIRED FOR INSTALLATION



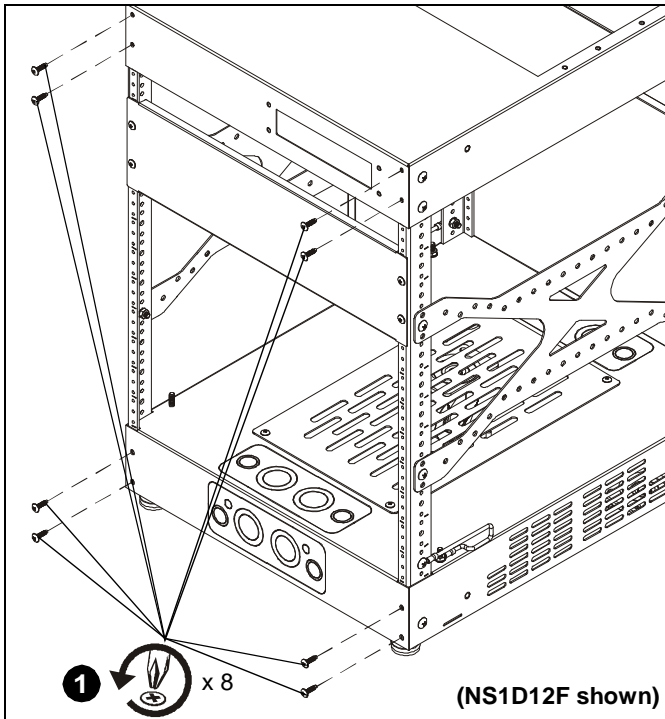
### PARTS



**INSTALLATION**

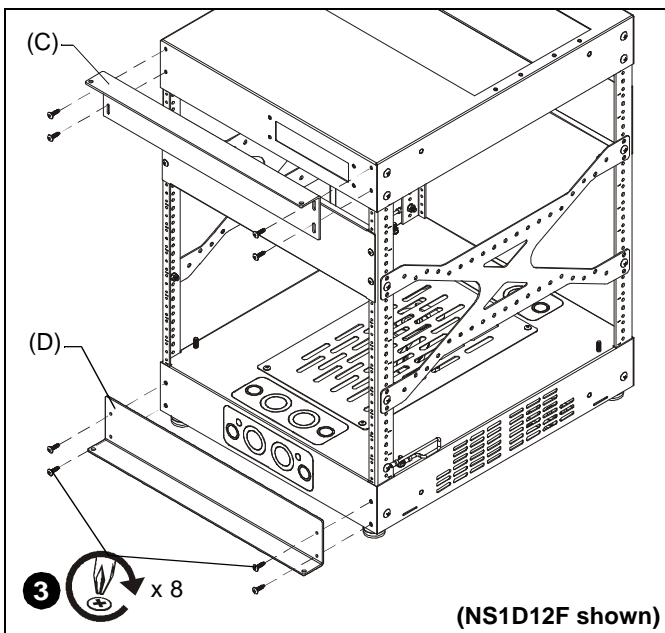
**IMPORTANT !** : If installing doors and side panels (not included) on an S1 rack, the doors must be installed **before** installing the side panels.

1. Remove and save four screws from both top and bottom of rack front. (See Figure 1)



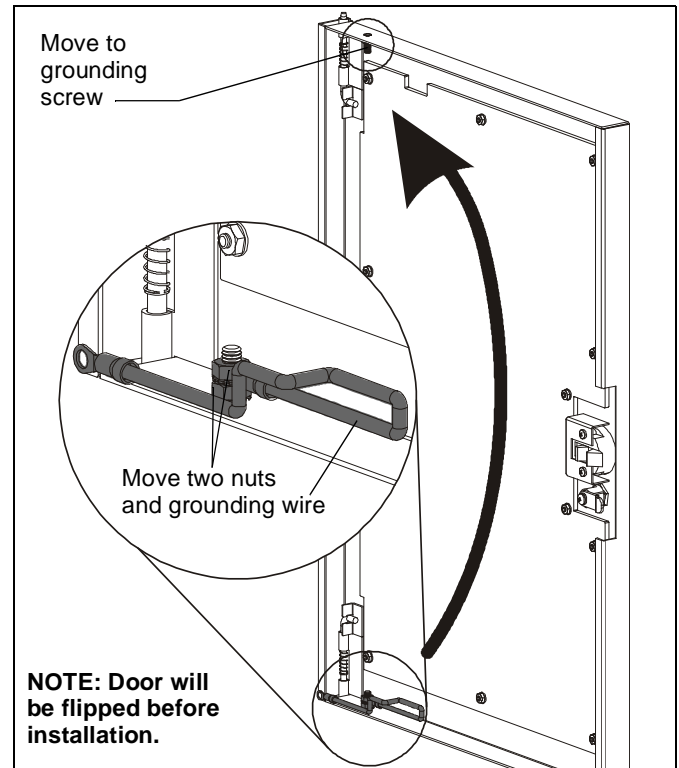
**Figure 1**

2. Add top door support (C) and lower door support (D) to rack front. (See Figure 4)
3. Attach door supports using eight screws removed in Step 1.



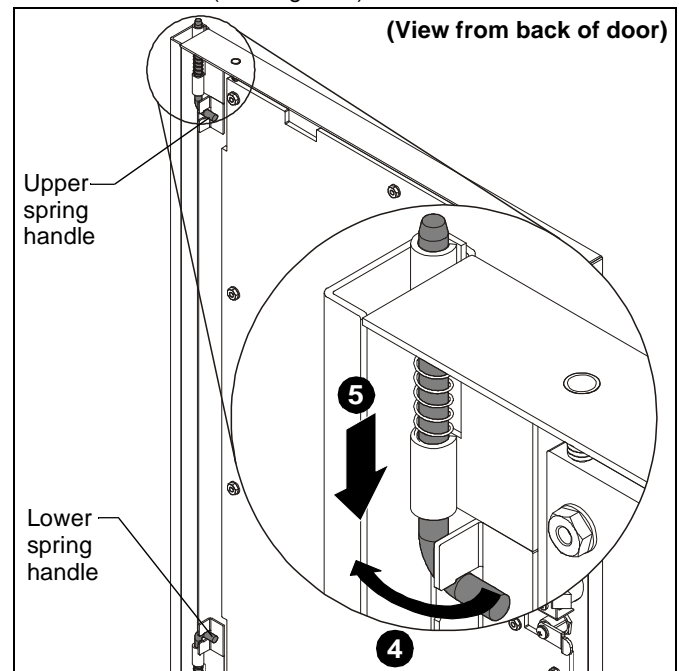
**Figure 2**

**IMPORTANT !** : If the door is to be attached with the pulling handle on the right side, the two nuts and grounding wire already installed on the door must be removed and reinstalled on the opposite end of the door before the door is installed. The grounding wire should be on the **BOTTOM** of the installed door. (See Figure 3)



**Figure 3**

4. Rotate two spring handles (one at bottom and one at top) on inside of door. (See Figure 4)



**Figure 4**

5. Pull down on upper spring handle, and push up on lower spring handle.
6. Insert door into rack, aligning the spring handle ends with the holes in the door support at top and bottom of rack. (See Figure 5)

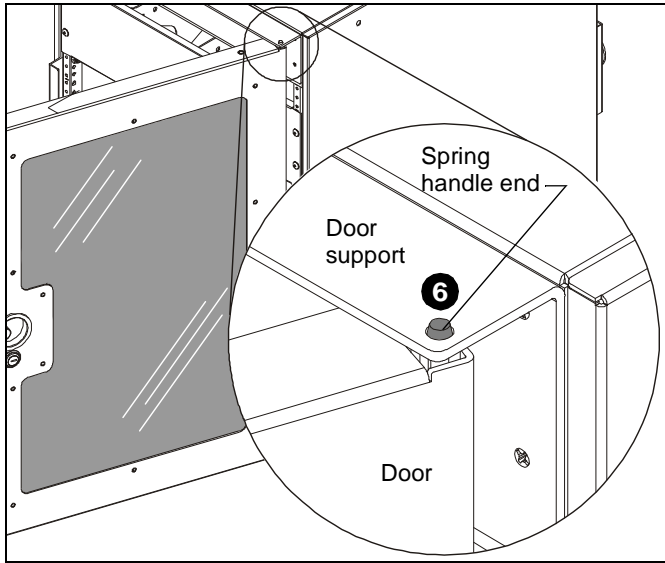


Figure 5

7. Push spring handle end into door supports, and re-latch spring handle.
8. Determine location for door catch (B) by matching up handle cut-out in door with correct position on rack. (See Figure 6)

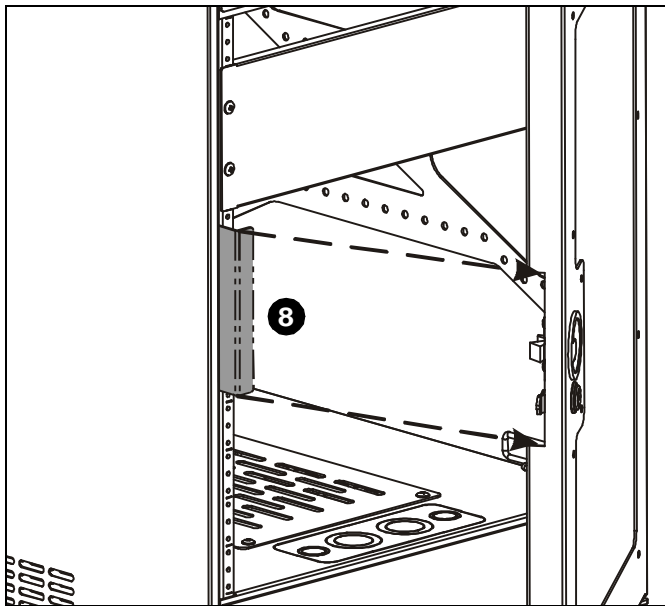


Figure 6

9. Add door catch (B) to rack rail using two 1/4-20 x 5/8" screws (E) and two 1/4-20 lock nuts (F). (See Figure 7)

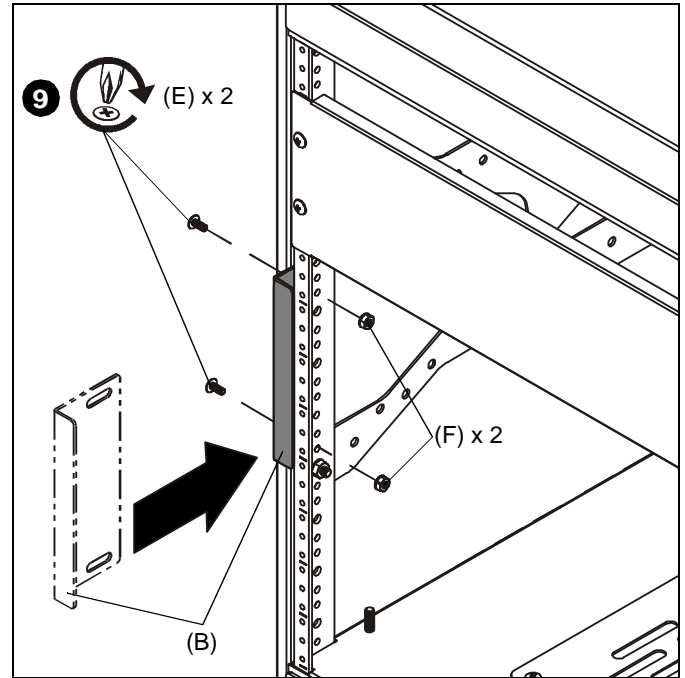


Figure 7

10. Loosen screw in lower door support, attach door grounding wire, and tighten screw to finish connection. (See Figure 8)

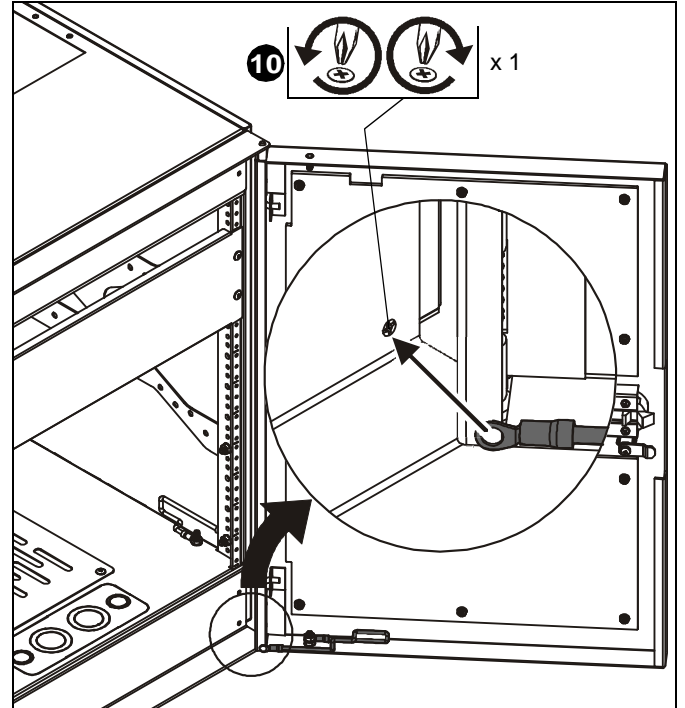


Figure 8

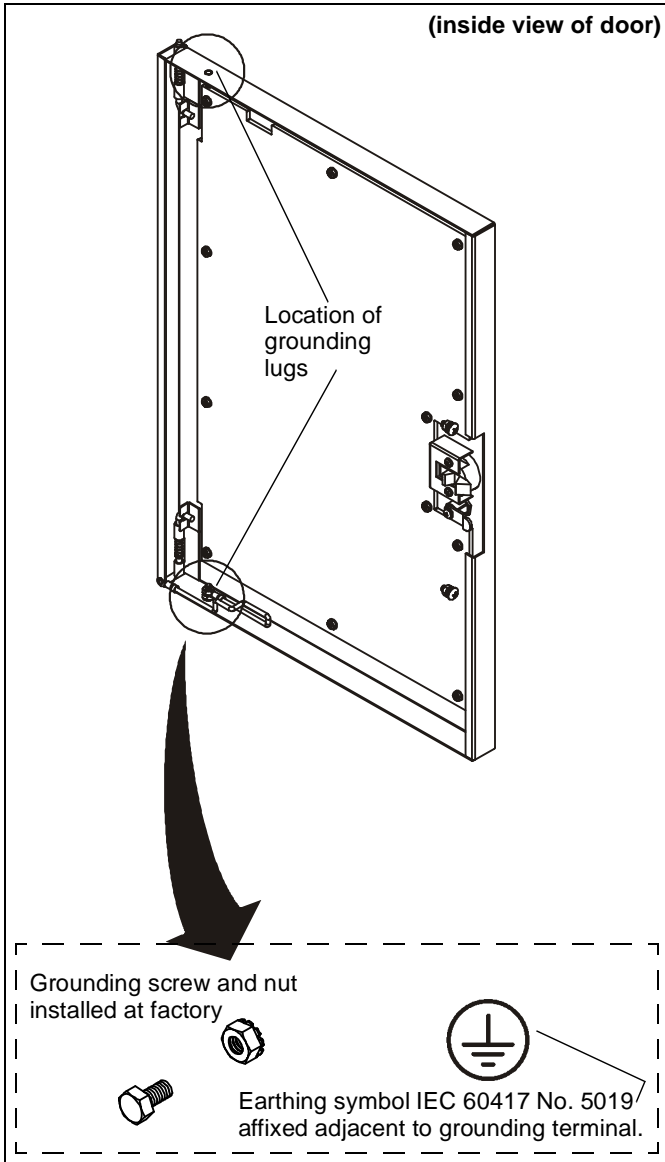


Figure 9



**DANGER:** IMPROPER WIRING CAN LEAD TO DEATH OR SEVERE PERSONAL INJURY! Grounding must be installed by qualified personnel using a UL Recognized No. 12AWG Green and Yellow grounding wire connected to grounding lug on rack.





Our Mounts. **Your Vision.**

Chief Manufacturing, a products division of Milestone AV Technologies

8821-002016 Rev02

©2012 Milestone AV Technologies, a

Duchossois Group Company

[www.chiefmfg.com](http://www.chiefmfg.com)

06/12

<b>USA/International</b>	<b>A</b> 6436 City West Parkway, Eden Prairie, MN 55344
	<b>P</b> 800.582.6480 / 952.225.6000
	<b>F</b> 877.894.6918 / 952.894.6918
<b>Europe</b>	<b>A</b> Franklinstraat 14, 6003 DK Weert, Netherlands
	<b>P</b> +31 (0) 495 580 852
	<b>F</b> +31 (0) 495 580 845
<b>Asia Pacific</b>	<b>A</b> Office No. 1 on 12/F, Shatin Galleria 18-24 Shan Mei Street Fotan, Shatin, Hong Kong
	<b>P</b> 852 2145 4099
	<b>F</b> 852 2145 4477

