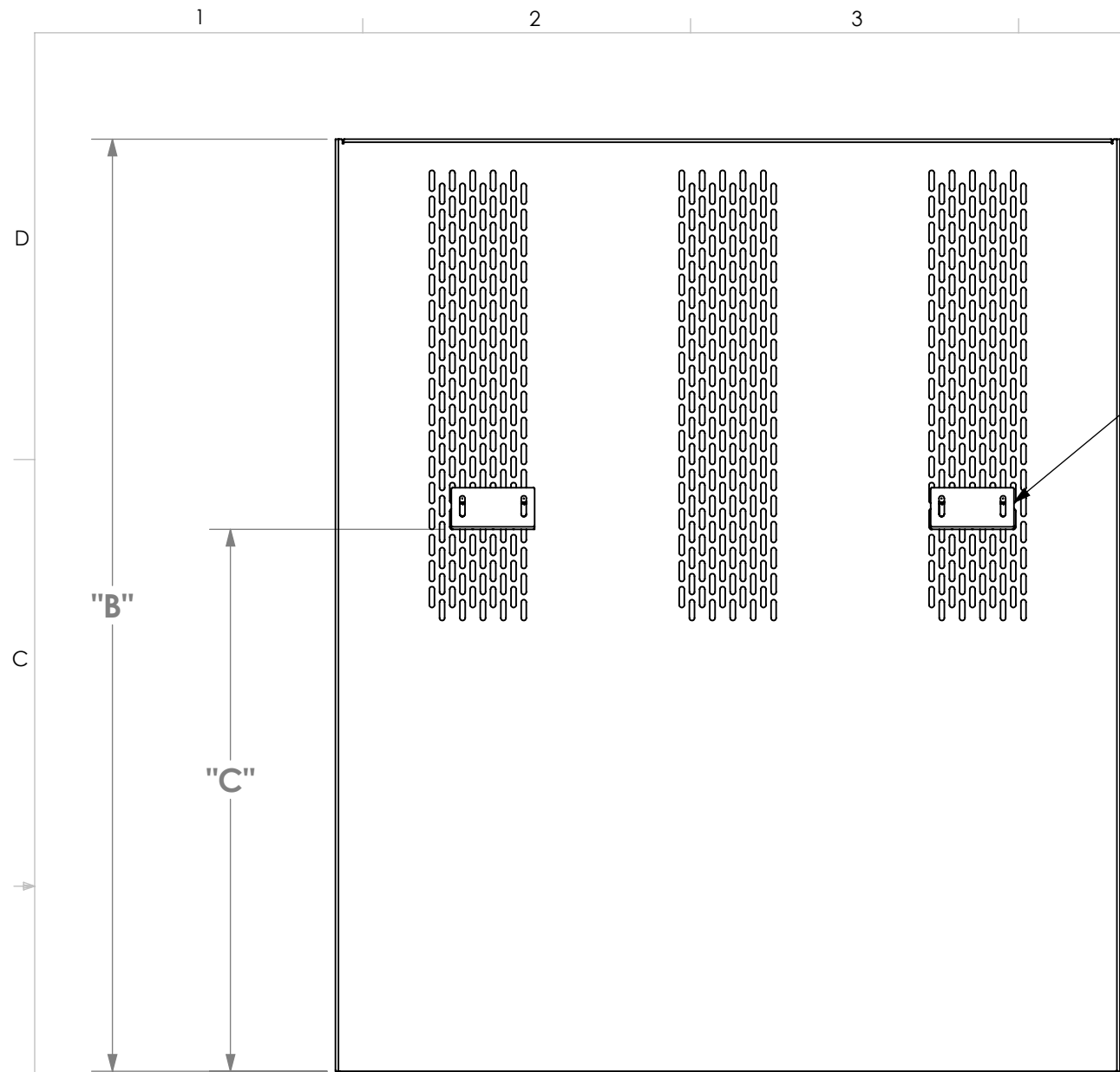
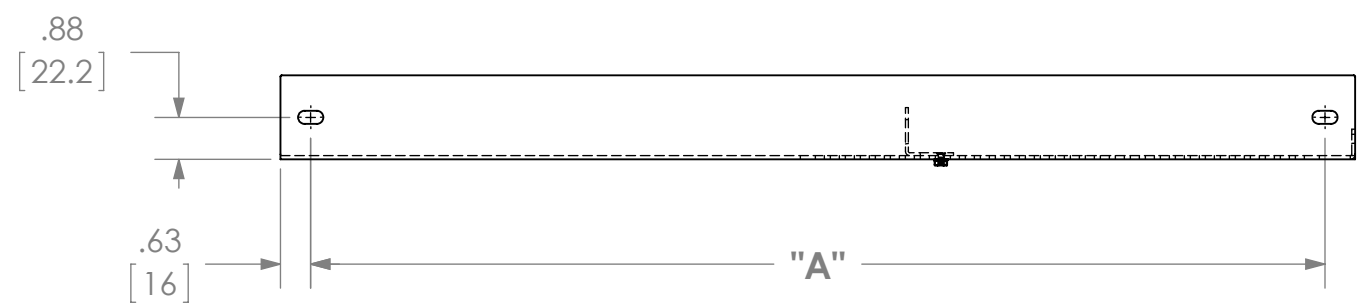
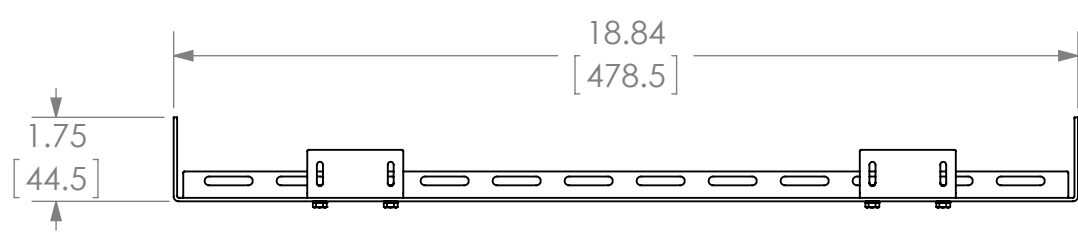
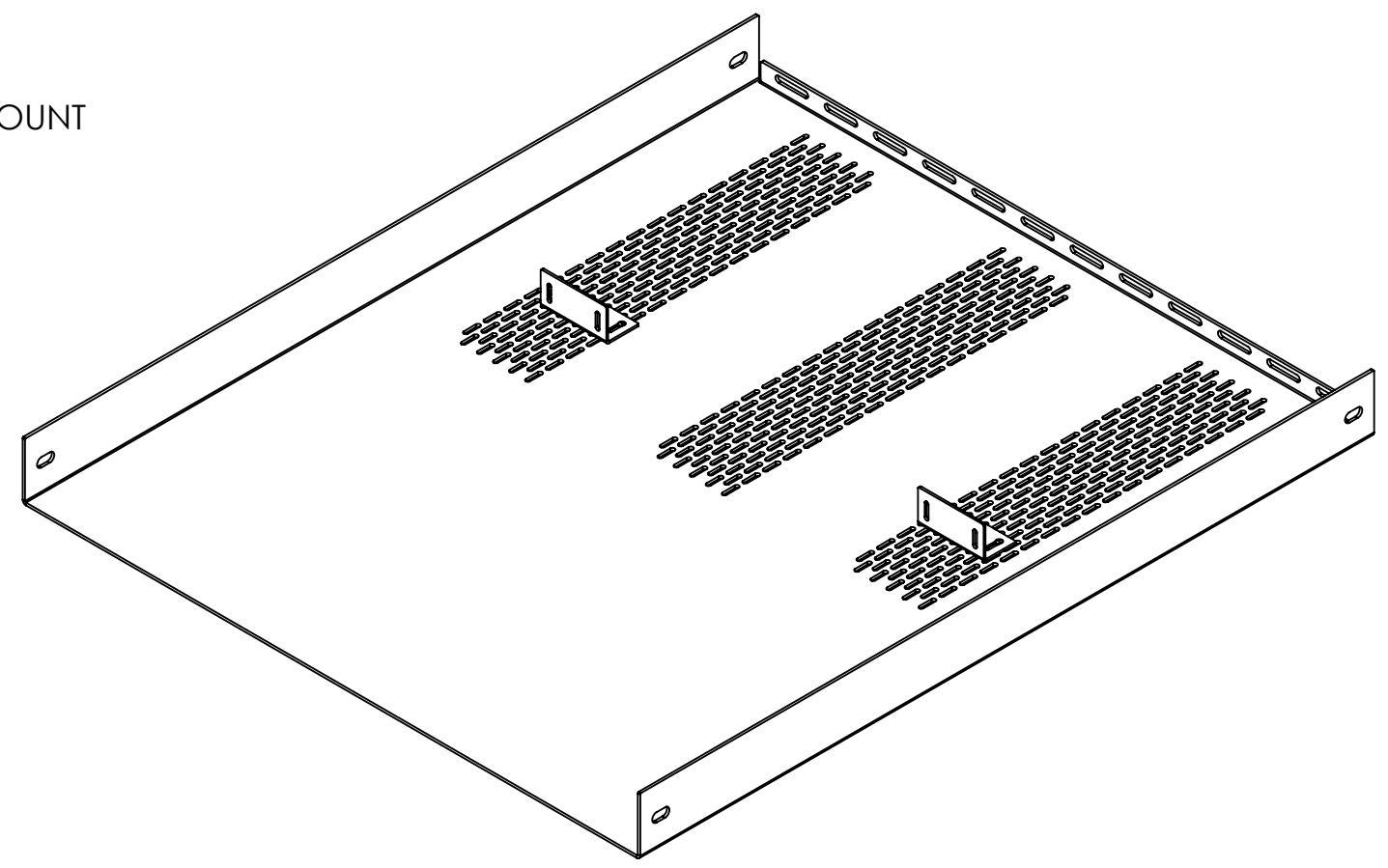


MODEL	RACK HEIGHT	DIMENSION "A"	DIMENSION "B"	DIMENSION "C" MIN.
NAS1S23	1U	21.13 [536.7mm]	22.39 [568.7mm]	10.52 [267.2mm]
NAS1S28	1U	26.13 [663.7mm]	27.39 [695.7mm]	13.60 [345.4mm]



BRACKETS MOUNT
IN ANY SLOT



CHIEF CHIEF MANUFACTURING
MOUNT ORDER NUMBER IS NAS1S-XX
PHONE: 1-800-582-6480

SHEET SCALE = 1:4

THE INFORMATION AND DESIGNS CONTAINED IN THIS DRAWING ARE CONFIDENTIAL AND THE PROPRIETARY PROPERTY OF MILESTONE AV TECHNOLOGIES. NEITHER THIS DESIGN NOR ANY INFORMATION CONTAINED IN THIS DRAWING MAY BE REPRODUCED OR DISCLOSED TO OTHERS WITHOUT THE EXPRESS WRITTEN CONSENT OF MILESTONE AV TECHNOLOGIES.

CHIEF 8401 EAGLE CREEK PKY
SUITE #700
SAVAGE, MN 55378
PHONE: 952-894-6280
FAX: 877-894-6918

TITLE
**CUSTOMER PRINT
NAS1S-XX**

SIZE DWG. NO.
B NAS1S-XX