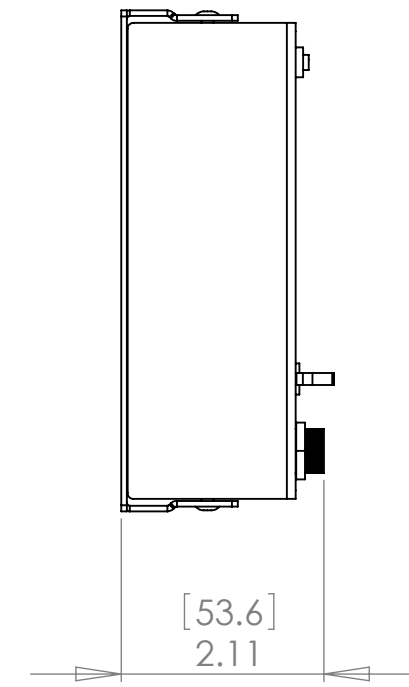
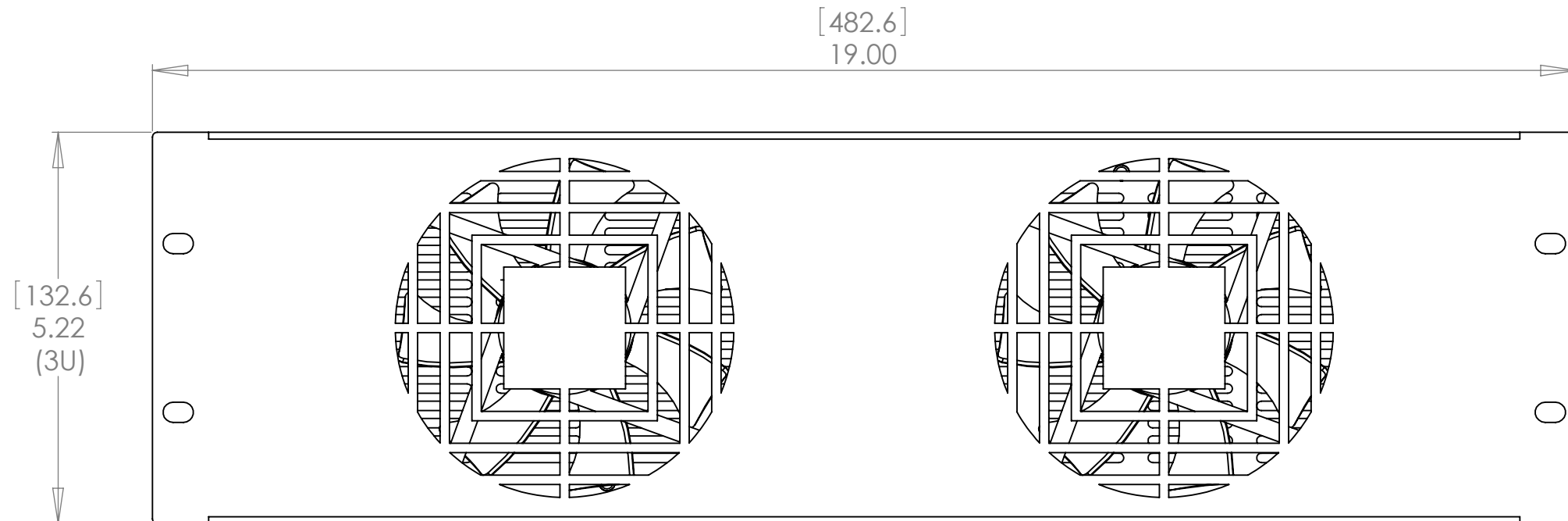
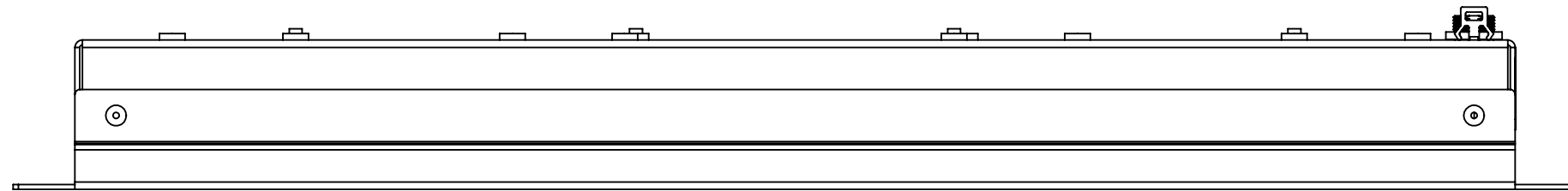


AIRFLOW: 100 CFM PER FAN  
 SUPPLY VOLTAGE: 12VDC 30W MAX  
 SOUND OUTPUT: APPROX. 42 dBA PER FAN



**CHIEF MANUFACTURING INC.**  
 MOUNT ORDER NUMBER IS NAF32HBA  
 PHONE: 1-800-582-6480

SHEET SCALE = 1:2

THE INFORMATION AND DESIGNS CONTAINED IN THIS DRAWING ARE CONFIDENTIAL AND THE PROPRIETARY PROPERTY OF MILESTONE AV TECHNOLOGIES NEITHER THIS DESIGN NOR ANY INFORMATION CONTAINED IN THIS DRAWING MAY BE REPRODUCED OR DISCLOSED TO OTHERS WITHOUT THE EXPRESS WRITTEN CONSENT OF MILESTONE AV TECHNOLOGIES.

**CHIEF**  
 8401 EAGLE CREEK PKY  
 SUITE #700  
 SAVAGE, MN 55378  
 PHONE: 952-894-6280  
 FAX: 877-894-6918

TITLE  
**CUSTOMER PRINT  
 NAF32HBA**

SIZE DWG. NO.  
**B NAF32HBA**

NAF32HBA

D

C

B

A

1 2 3 4 5 6 7 8

1 2 3 4 5 6 7 8