

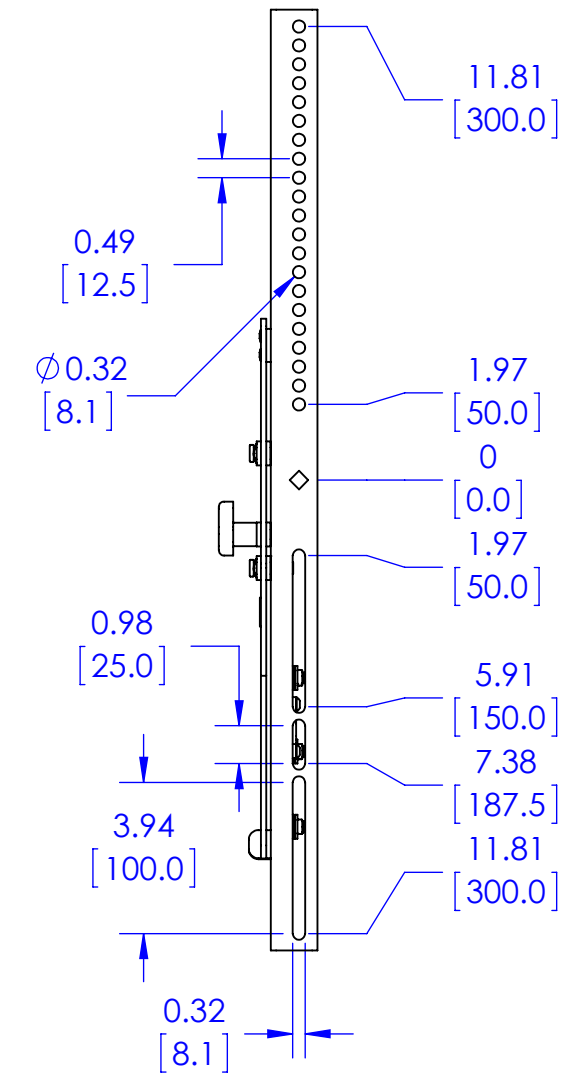
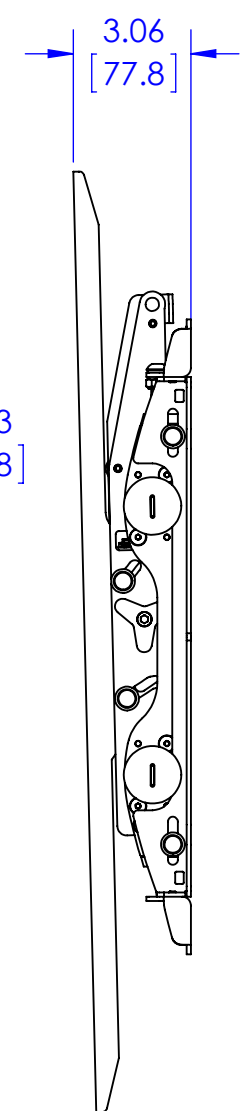
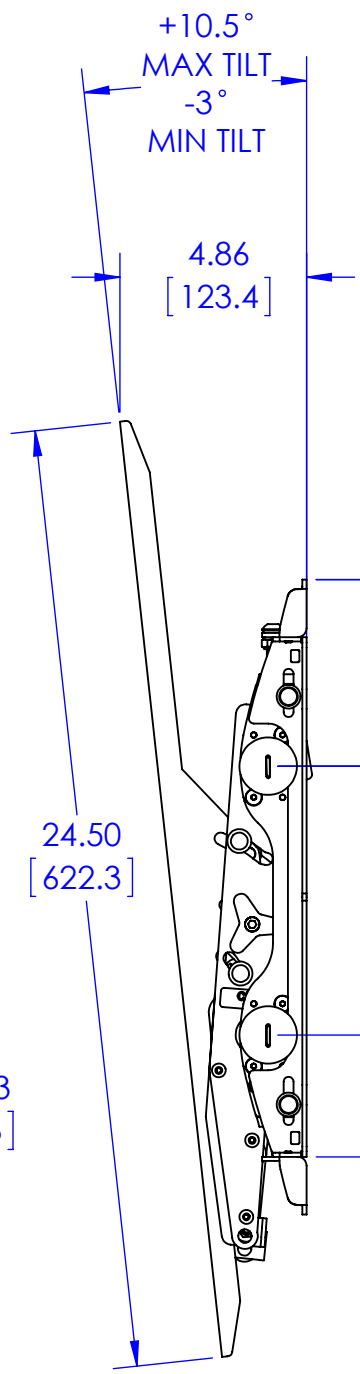
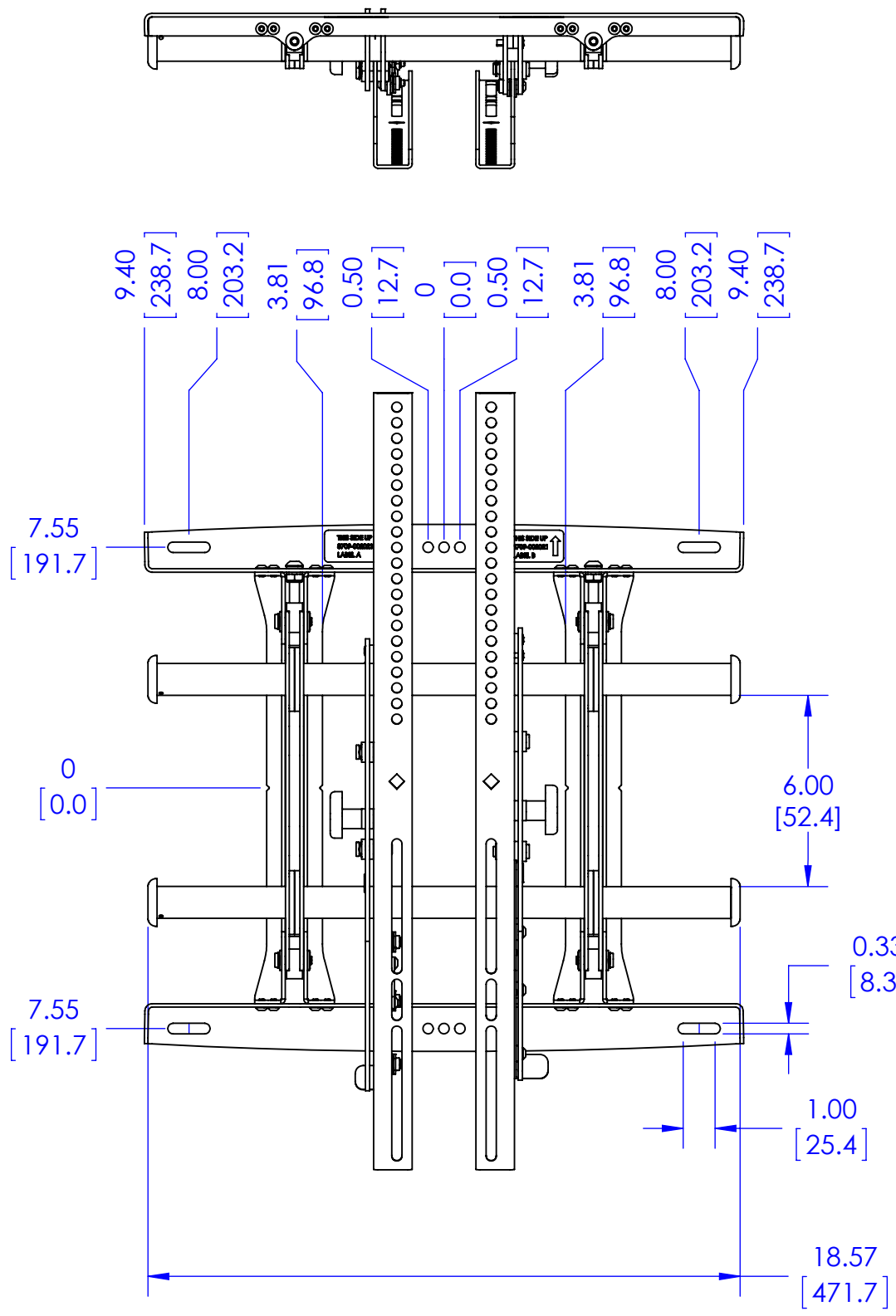
NOTES:

MINIMUM HORIZONTAL MOUNTING PATTERN 3.937" [100 mm]  
 MAXIMUM HORIZONTAL MOUNTING PATTERN WITHOUT SWITCHING KNOB, 15.75" [400 mm]  
 MAX HORIZONTAL MOUNTING PATTERN WITH SWITCHING KNOB, 18.10" [460 mm]  
 FOR RECESSED APPLICATIONS, MINIMUM VERTICAL LIFT FOR HOOK ENGAGEMENT IS .58" [14.7 mm]  
 OVERALL MOUNT DEPTH AT 0° OF TILT IS 2.40" [61 mm]  
 MAXIMUM VERTICAL MOUNTING PATTERN IS 23.6" [600 mm]

MAX MOUNTING PATTERN IS 21.6" (548.6 mm) WITHOUT REVERSING UPRIGHTS  
 MAX MOUNTING PATTERN IS 26.2" (665.5 mm) WITH REVERSING UPRIGHTS

FOR RECESSED APPLICATIONS, MINIMUM VERTICAL LIFT FOR HOOK ENGAGEMENT IS .42" (10.7 mm)

RAILS CAN BE SLID LEFT OR RIGHT FOR OFFSET APPLICATIONS  
 MOUNT IS 1.99" (50.5 mm) DEEP WHEN FLAT TO THE WALL



**THE INFORMATION AND DESIGNS CONTAINED IN THIS DRAWING ARE CONFIDENTIAL AND THE PROPRIETARY PROPERTY OF MILESTONE AV TECHNOLOGIES NEITHER THIS DESIGN NOR ANY INFORMATION CONTAINED IN THIS DRAWING MAY BE REPRODUCED OR DISCLOSED TO OTHERS WITHOUT THE EXPRESS WRITTEN CONSENT OF MILESTONE AV TECHNOLOGIES.**

CAD GENERATED DRAWING, DO NOT MANUALLY UPDATE.			<b>CHIEF</b>	6436 CITY WEST PKWY EDEN PRAIRIE MN, 55344 PHONE: 866-977-3901 FAX: 877-894-6918	
DRAWN BY	PLL	3/13/2013		DESCRIPTION	<b>MTMPU</b>
ENG APPROVAL			MODEL NO.	<b>MTMPU</b>	
MFG APPROVAL			SIZE	DWG. NO.	REV.
QA APPROVAL			SHEET 1 OF 1	SCALE 1:1	<b>B TECH-000330</b>
					<b>00</b>