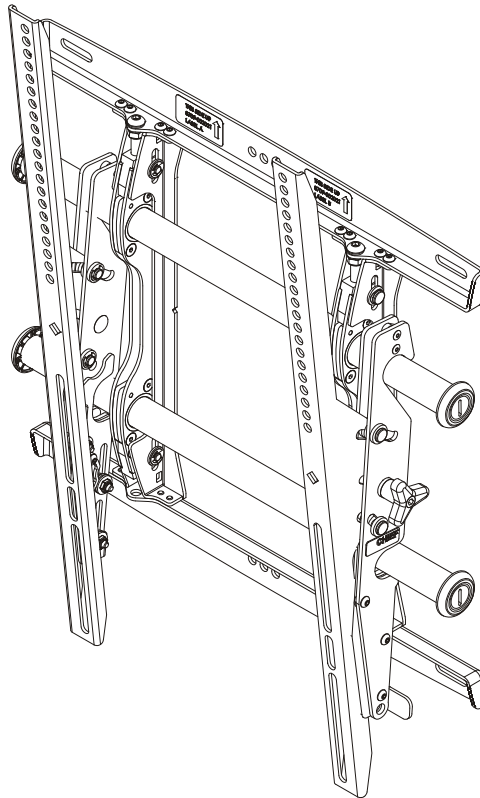


---

# INSTALLATION INSTRUCTIONS

---



---

## FUSION PORTRAIT MEDIUM TILT MOUNT


---


## DISCLAIMER


Milestone AV Technologies, and its affiliated corporations and subsidiaries (collectively "Milestone"), intend to make this manual accurate and complete. However, Milestone makes no claim that the information contained herein covers all details, conditions or variations, nor does it provide for every possible contingency in connection with the installation or use of this product. The information contained in this document is subject to change without notice or obligation of any kind. Milestone makes no representation of warranty, expressed or implied, regarding the information contained herein. Milestone assumes no responsibility for accuracy, completeness or sufficiency of the information contained in this document.


Chief® is a registered trademark of Milestone AV Technologies. All rights reserved.


## IMPORTANT SAFETY INSTRUCTIONS!


 **WARNING:** A WARNING alerts you to the possibility of serious injury or death if you do not follow the instructions.


 **CAUTION:** A CAUTION alerts you to the possibility of damage or destruction of equipment if you do not follow the corresponding instructions.


 **WARNING:** Failure to read, thoroughly understand, and follow all instructions can result in serious personal injury, damage to equipment, or voiding of factory warranty! It is the installer's responsibility to make sure all components are properly assembled and installed using the instructions provided.

 **WARNING:** Failure to provide adequate structural strength for this component can result in serious personal injury or damage to equipment! It is the installer's responsibility to make sure the structure to which this component is attached can support five times the combined weight of all equipment. Reinforce the structure as required before installing the component. The wall to which the mount is being attached may have a maximum drywall thickness of 5/8" (1.6cm) for wood studs.

 **WARNING:** Exceeding the weight capacity can result in serious personal injury or damage to equipment! It is the installer's responsibility to make sure the combined weight of all components located between the MTMPU up to (and including) the display does not exceed 125 lbs (56.7 kg).

 **WARNING:** Use this mounting system only for its intended use as described in these instructions. Do not use attachments not recommended by the manufacturer.

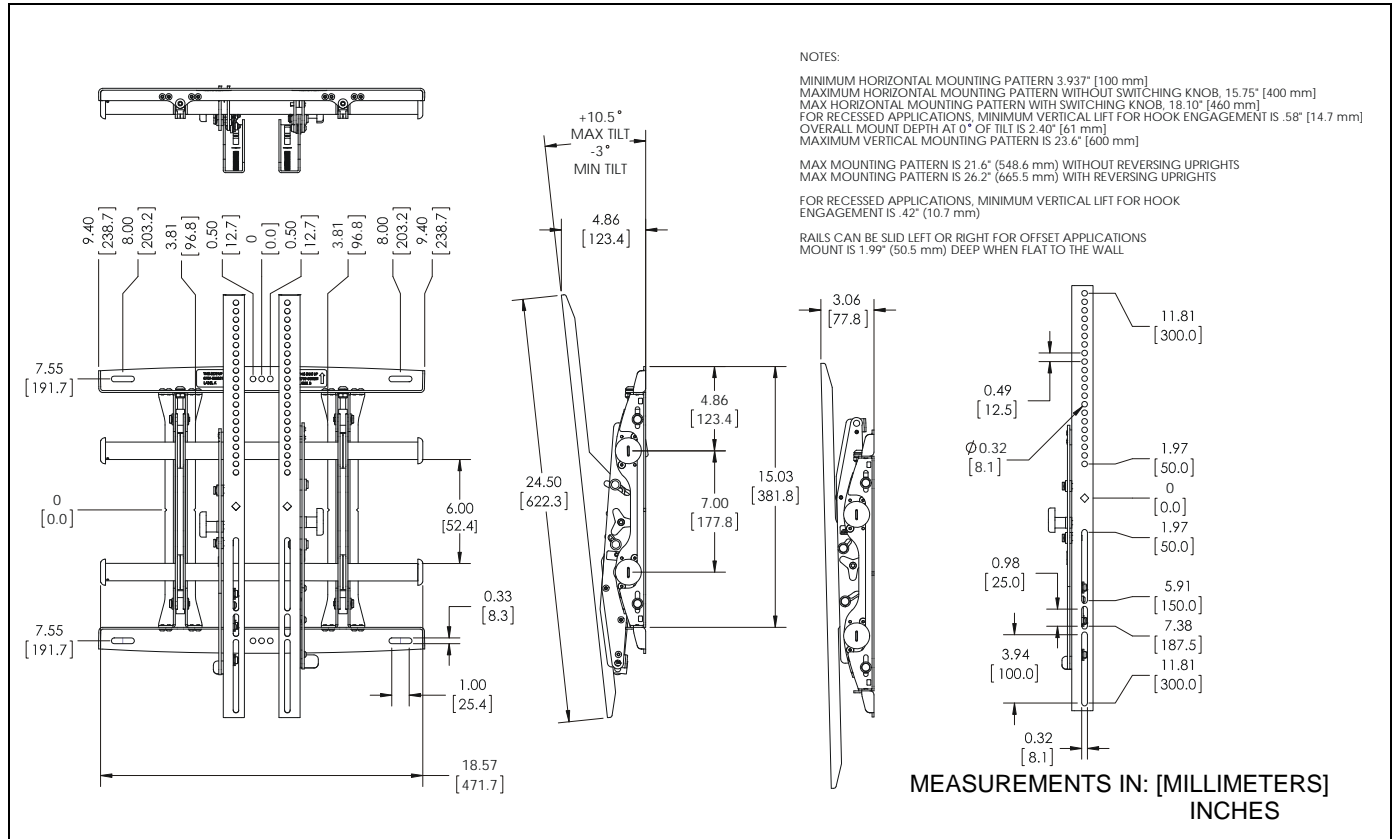
 **WARNING:** Never operate this mounting system if it is damaged. Return the mounting system to a service center for examination and repair.

 **WARNING:** Do not use this product outdoors.

**IMPORTANT ! :** The MTMPU mounts are designed to be mounted to an 8" concrete, 8"x8"x16" concrete block or 2" x 4" wood studs (16" on center) wall.

**--SAVE THESE INSTRUCTIONS--**

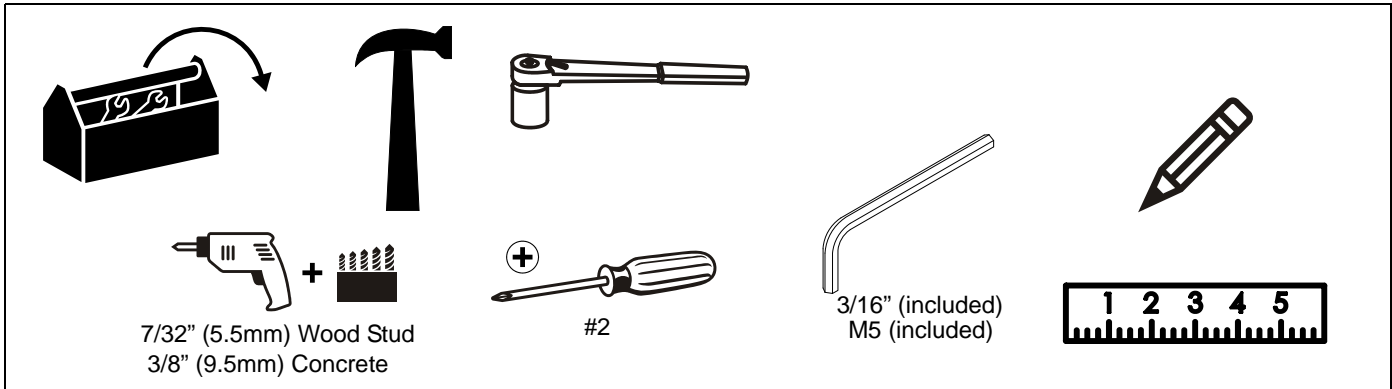
**DIMENSIONS**



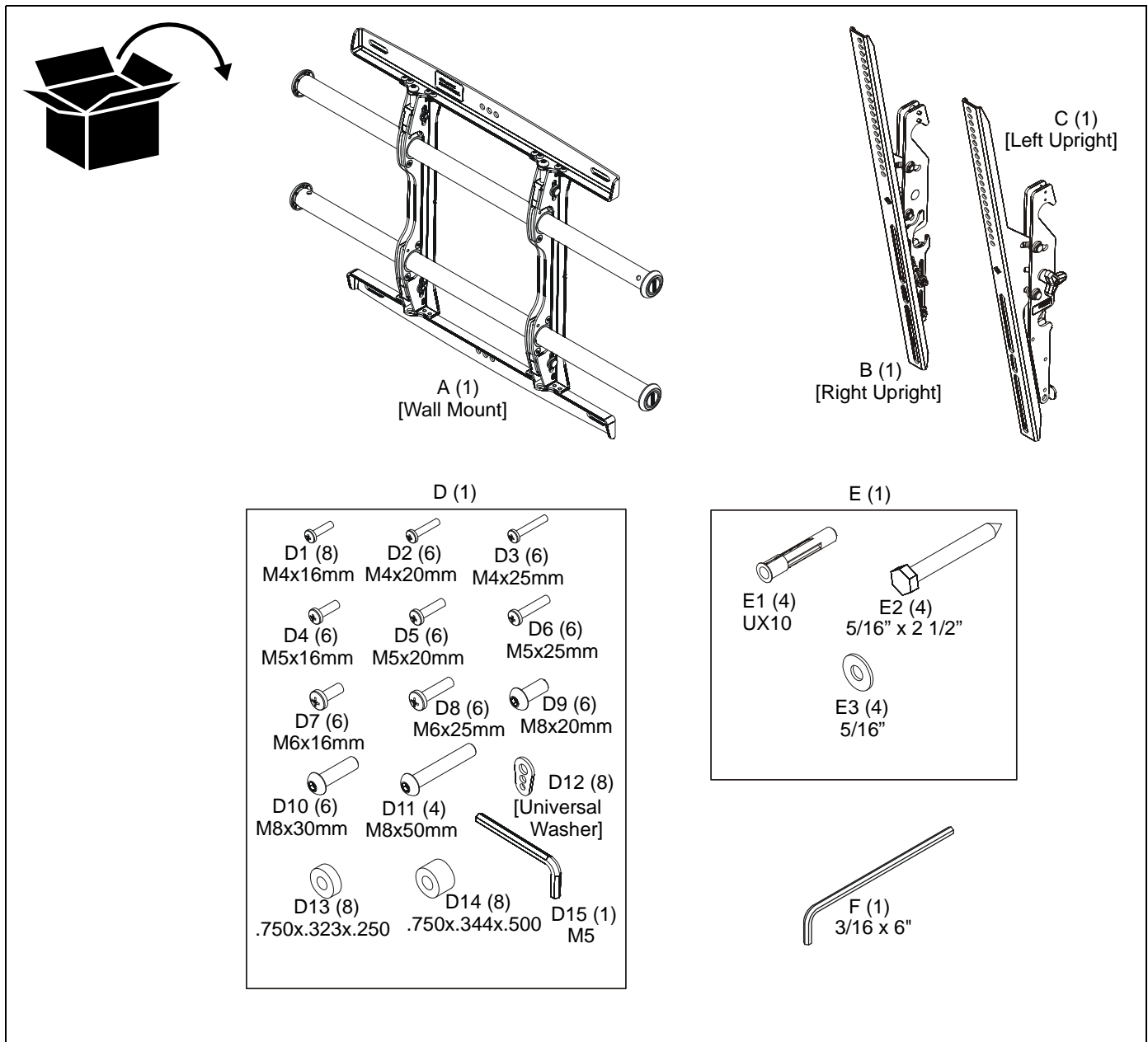
**LEGEND**

	<b>Tighten Fastener</b>		<b>Pencil Mark</b>
	Apretar elemento de fijación		Marcar con lápiz
	Befestigungsteil festziehen		Stiftmarkierung
	Apertar fixador		Marcar com lápis
	Serrare il fissaggio		Segno a matita
	Bevestiging vastdraaien		Potloodmerkteken
	Serrez les fixations		Marquage au crayon
	<b>Loosen Fastener</b>		<b>Drill Hole</b>
	Aflojar elemento de fijación		Perforar
	Befestigungsteil lösen		Bohrloch
	Desapertar fixador		Fazer furo
	Allentare il fissaggio		Praticare un foro
	Bevestiging losdraaien		Gat boren
	Desserrez les fixations		Percez un trou
	<b>Hex-Head Wrench</b>		<b>By Hand</b>
	Llave de cabeza hexagonal		A mano
	Sechskantschlüssel		Von Hand
	Chave de cabeça sextavada		Com a mão
	Chiave esagonale		A mano
	Zeskantsleutel		Met de hand
Clé à tête hexagonale	À la main		

**TOOLS REQUIRED FOR INSTALLATION**



**PARTS**



## INSTALLATION

The MTMPU mounts are designed to be mounted to an 8" concrete, 8"x8"x16" concrete block or 2" x 4" wood studs (16" on center) wall. The MTMPU has brackets which allow the TV to be tilted.

### Locate Mounting Site



**WARNING:** IMPROPER INSTALLATION CAN LEAD TO MOUNT FALLING CAUSING SEVERE PERSONAL INJURY OR DAMAGE TO EQUIPMENT! It is the installers responsibility to make certain the structure to which the mount is being attached is capable of supporting five times the weight of the MTMPU and all attached equipment not to exceed 125 lbs (56.7 kg).

**NOTE:** Proceed to either the **Installing to a Wood Stud Wall** section or the **Installing to a Concrete Wall** section.

### Installing to a Wood Stud Wall

1. Determine the center of the TV screen, and where it should be located on the wall.



**WARNING:** The MTMPU is designed to be mounted to two 2" x 4" wood studs (16" on center) or concrete. DO NOT attempt to mount the MTMPU to a single wood stud!

2. Locate the closest studs to the left and right of the selected location.
3. Line up the notches on mount with center of screen marking to determine vertical center. (See Figure 1)

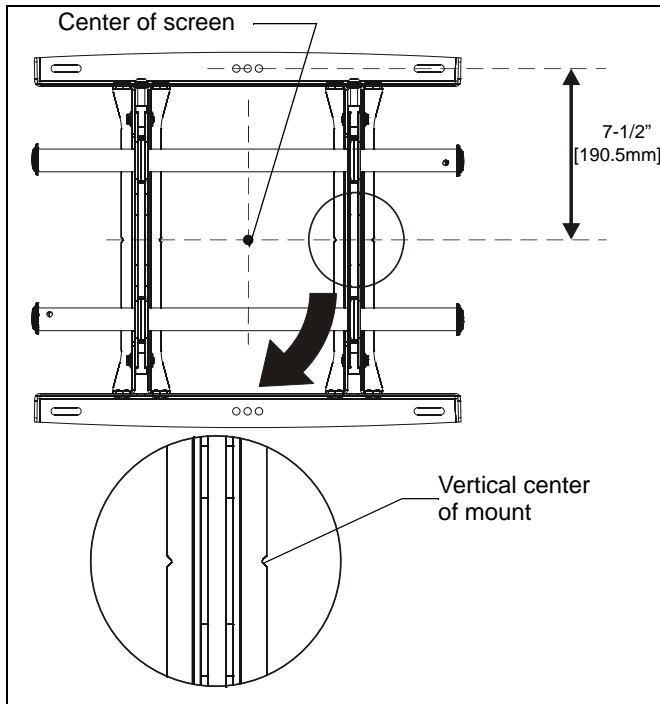


Figure 1

4. Measure up 7-1/2" (190.5mm) from the center point to mark location of the upper mounting slots.

5. Using a level, mark the wall on each stud to attach the mount through the upper mounting slots. (See Figure 2)

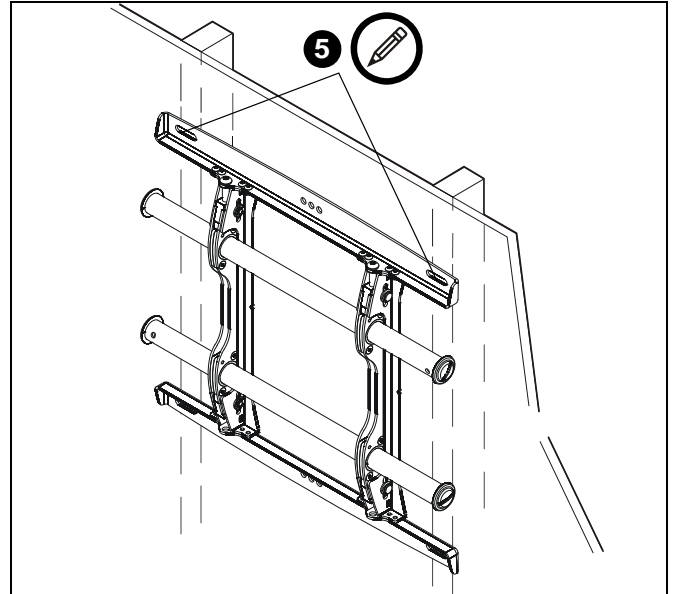


Figure 2



**WARNING:** ELECTRICAL SHOCK HAZARD! CUTTING OR DRILLING INTO ELECTRICAL CORDS OR CABLES CAN CAUSE DEATH OR SERIOUS PERSONAL INJURY! ALWAYS make certain area behind mounting surface is free of electrical wires and cables before drilling or installing fasteners.



**WARNING:** EXPLOSION AND FIRE HAZARD! CUTTING OR DRILLING INTO GAS PLUMBING CAN CAUSE DEATH OR SERIOUS PERSONAL INJURY! ALWAYS make certain area behind mounting surface is free of gas, water, waste, or any other plumbing before cutting, drilling, or installing fasteners.

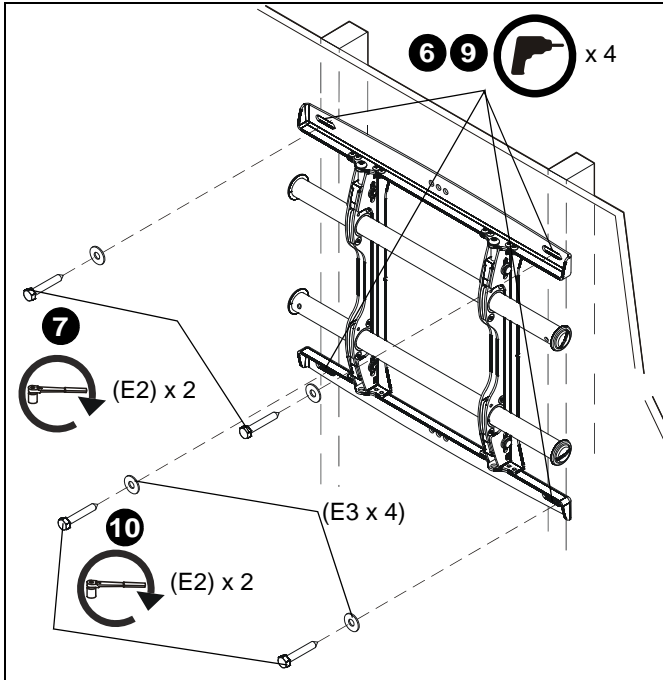


Figure 3

6. Drill one 7/32" (5.5mm) pilot hole in each stud.
7. Use two 5/16 x 2-1/2" lag bolts (E2) and two 5/16" flat washers (E3) to attach top of mount to wall. (See Figure 3)
8. Mark the attachment points for the lower mounting slots, making sure the attachment points are located on the studs. (See Figure 3)
9. Drill 7/32" (5.5mm) pilot holes at markings for lower mounting holes. (See Figure 3)
10. Use two 5/16 x 2-1/2" lag bolts (E2) and two 5/16" flat washers (E3) to attach the mount to the wall through the lower mounting holes. (See Figure 3)
11. Slide rails to approximate center of screen location.

**Installing to a Concrete Wall**

1. Determine the center of the TV screen, and where it should be located on the wall.
2. Line up the notches on mount with center of screen marking to determine vertical center. (See Figure 1)
3. Measure up 7-1/2" (190.5mm) from the center point to mark location of the upper mounting slots. (See Figure 1)
4. Using a level, mark the wall through both upper mounting slots. (See Figure 4)



**WARNING:** ELECTRICAL SHOCK HAZARD! CUTTING OR DRILLING INTO ELECTRICAL CORDS OR CABLES CAN CAUSE DEATH OR SERIOUS PERSONAL INJURY! ALWAYS make certain area behind mounting surface is free of electrical wires and cables before drilling or installing fasteners.



**WARNING:** EXPLOSION AND FIRE HAZARD! CUTTING OR DRILLING INTO GAS PLUMBING CAN CAUSE DEATH OR SERIOUS PERSONAL INJURY! ALWAYS make certain area behind mounting surface is free of gas, water, waste, or any other plumbing before cutting, drilling, or installing fasteners.

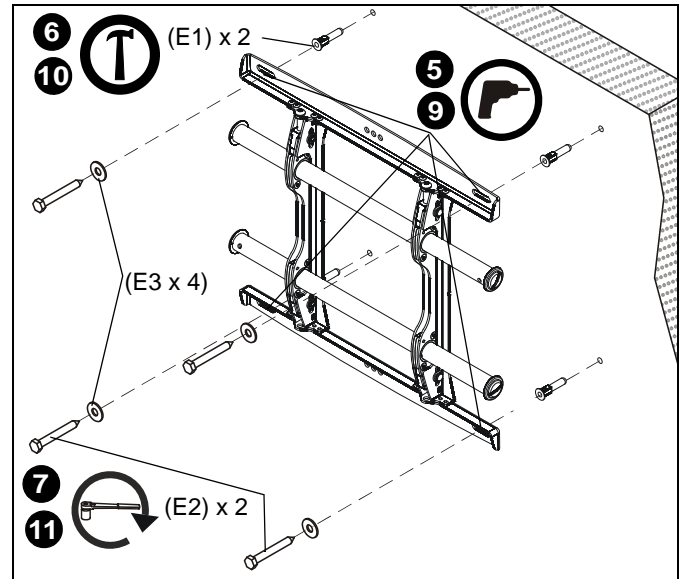


Figure 4

5. Drill one 3/8" x 3-1/2" pilot hole at each marking.
6. Install an anchor (E1) into each pilot hole using a hammer.
7. Use two 5/16 x 2-1/2" lag bolts (E2) and two 5/16" flat washers (E3) to attach top of mount to anchors in wall.
8. Mark the attachment points for the lower mounting slots. (See Figure 4)
9. Drill one pilot hole at each marking for lower mounting holes. (See Figure 4)
10. Install an anchor (E1) into each pilot hole using a hammer.
11. Use two 5/16 x 2-1/2" lag bolts (E2) and two 5/16" flat washers (E3) to attach the mount to the wall through the lower mounting holes. (See Figure 4)
12. Slide rails to approximate center of screen location.

### Attaching Upright Brackets to Display

1. Vertically align the center of the uprights (B and C) with center of screen. (See Figure 5)

**NOTE:** The diamond-shape opening in the uprights (B and C) corresponds to the vertical center of the upright.



**WARNING:** IMPROPER INSTALLATION CAN LEAD TO DISPLAY FALLING CAUSING SERIOUS PERSONAL INJURY OR DAMAGE TO EQUIPMENT! Using screws of improper size may damage your display. Properly sized screws will easily and completely thread into display mounting holes. If spacers are required, be sure to use longer screws of the same diameter.

2. Select correct screws, spacers (if necessary) and washers from the hardware bag (D) and attach brackets to back of display. (See Figure 5)

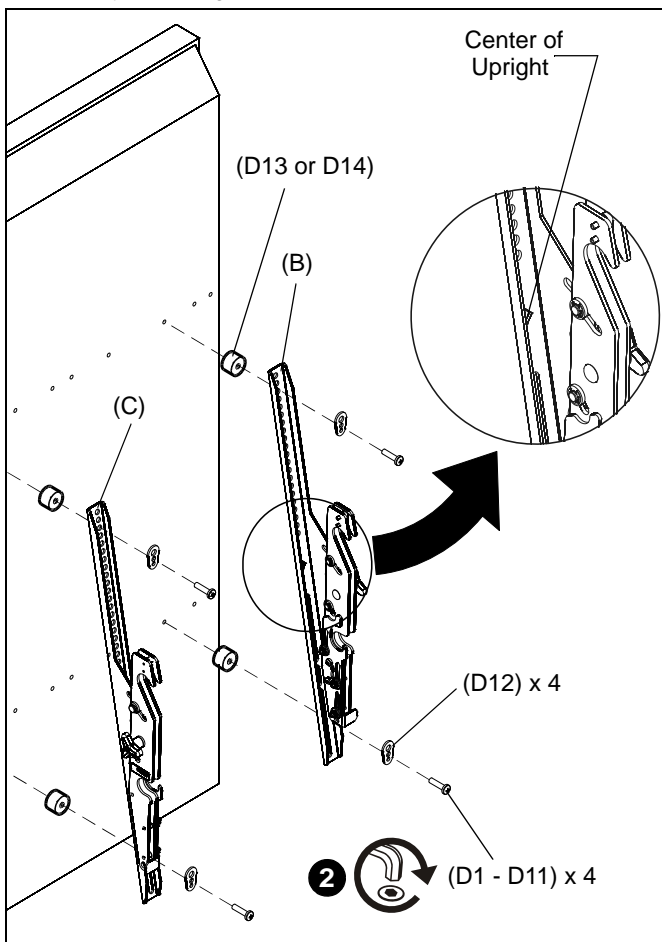


Figure 5

### Switching Upright Brackets (Optional)

If an installation situation makes adjusting the location of upright brackets necessary, there are several options.

1. The wall bracket may be adjusted side to side at the points of attachment (mounting slots). (See Figure 6)
2. The location of the left and right upright brackets may be switched, with the knobs on the MTMPU upright brackets facing the inside of the mount. (See Figure 6)

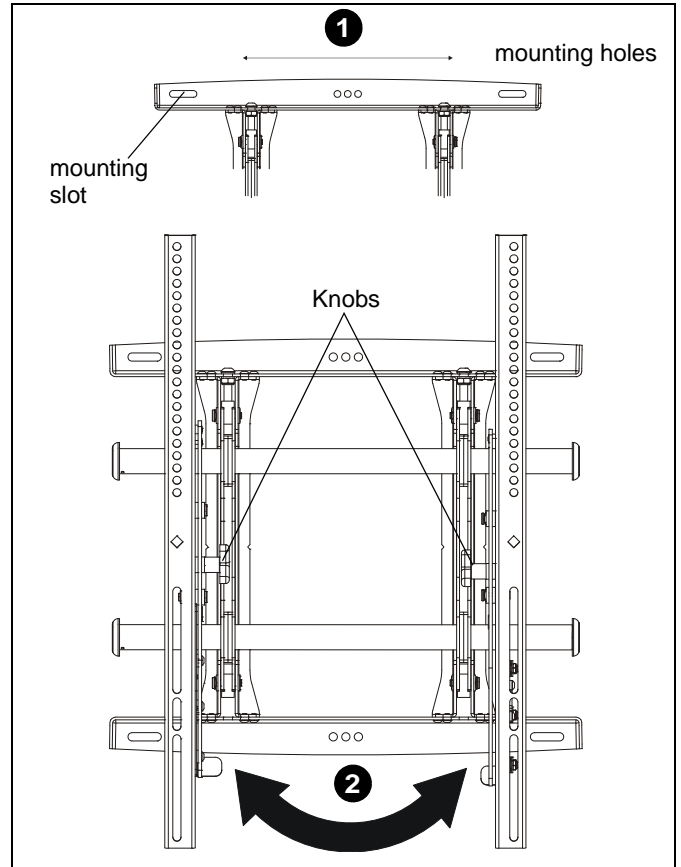


Figure 6

3. If necessary, the tilt upright bracket knobs may be switched to allow the brackets to be reversed. (See Figure 7)
  - a. Remove display from mount.
  - b. Remove brackets from display.
  - c. Hold the right upright bracket horizontally, tightly gripping it so that spacers do not move.
  - d. Remove the knob, washer and screw.
  - e. Replace the knob, washer and screw in the opposite order, with the knob on the inside of the bracket.
  - f. Switch the right upright bracket to the left side of the wall mount.
  - g. Repeat Steps 3c through 3f with the left upright bracket.

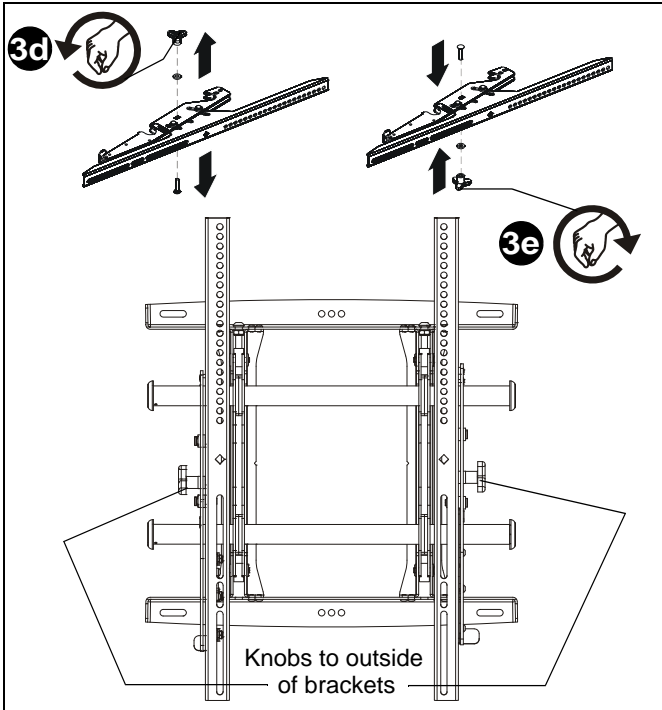


Figure 7

**Attaching Display to Wall Mount**

1. Push upright brackets tabs all the way down so that the lower mounting slot is blocked. (See Figure 8)

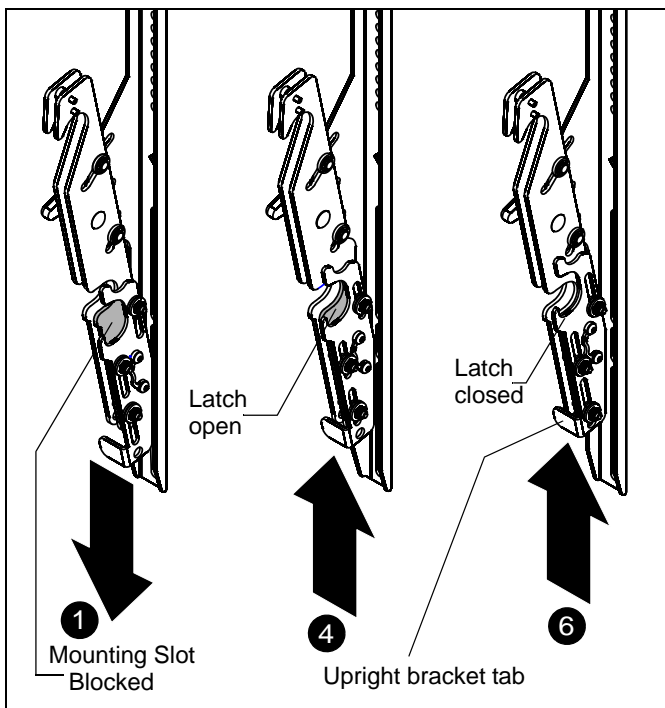


Figure 8

2. Hang the top hook of upright brackets onto the top bar of the mount. The bottom of the display will be away from the wall.

**NOTE:** Do NOT allow both upright brackets to be located on same side of wall bracket. (See Figure 9)

**NOTE:** NEVER place both upright brackets to one side of the wall mount center line! (See Figure 9)

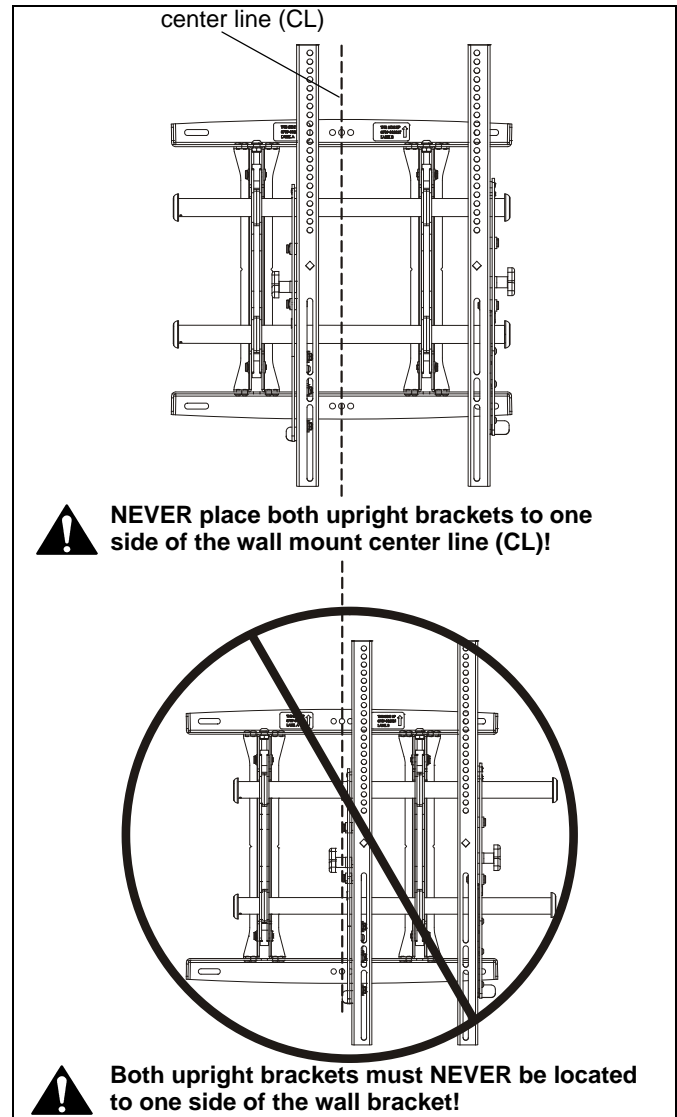


Figure 9

3. Route cables between wall and bars.



**CAUTION:** PINCH POINTS! Keep fingers, hands and cables out of pinch point areas.

4. Move screen towards the wall by pulling display bottom away from wall and pushing the upright brackets tabs up one notch to the detent which you will be able to feel. (approximately half way up). (See Figure 8)
5. Push bottom of display toward the wall bracket so that lower latch on upright brackets surrounds lower bar of wall mount.
6. Raise upright brackets tabs all the way to secure the brackets onto the wall mount. (See Figure 8)



### Adjusting Roll/Height of Wall Brackets

**NOTE:** The height adjust wall bracket allows adjustment of +/-1/2".

1. Use 3/16" hex key (F) to turn height-adjust screws to right (tighten) to raise side of screen. (See Figure 10)
2. Use 3/16" hex key (F) to turn height-adjust screws to left (loosen) to lower side of screen. (See Figure 10)

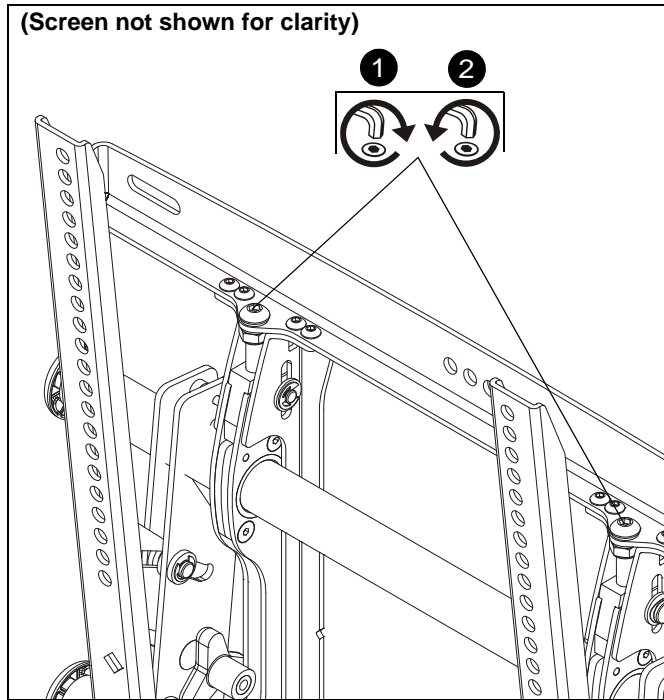


Figure 10

### Adjusting Tilt of Upright Brackets

**⚠ WARNING:** IMPROPER TILT ADJUSTMENT MAY LEAD TO DISPLAY TIPPING FORWARD CAUSING PERSONAL INJURY OR DAMAGE TO EQUIPMENT! Hold display while loosening upright bracket knobs.

1. Turn upright bracket knobs to left to loosen tilt. (See Figure 11)
2. Adjust tilt as required.
3. Lock at desired tilt by turning upright bracket knobs to right to tighten. (See Figure 11)

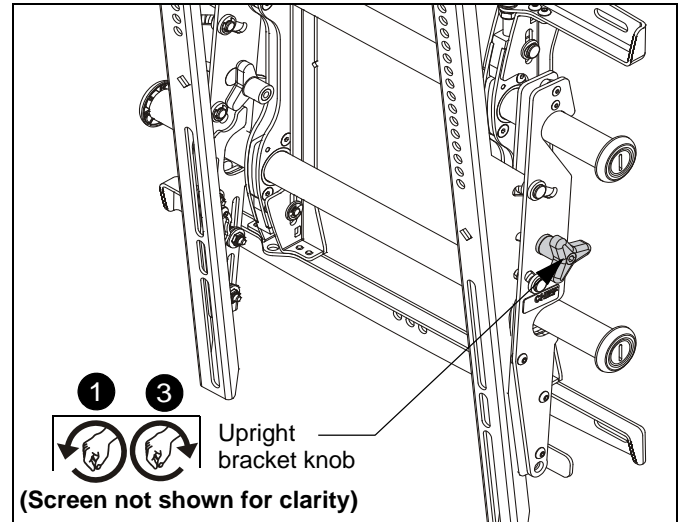


Figure 11

### Locking Mount (Optional)

Add padlock (not included) to upright bracket tab to lock the MTMPU mount. (See Figure 12)

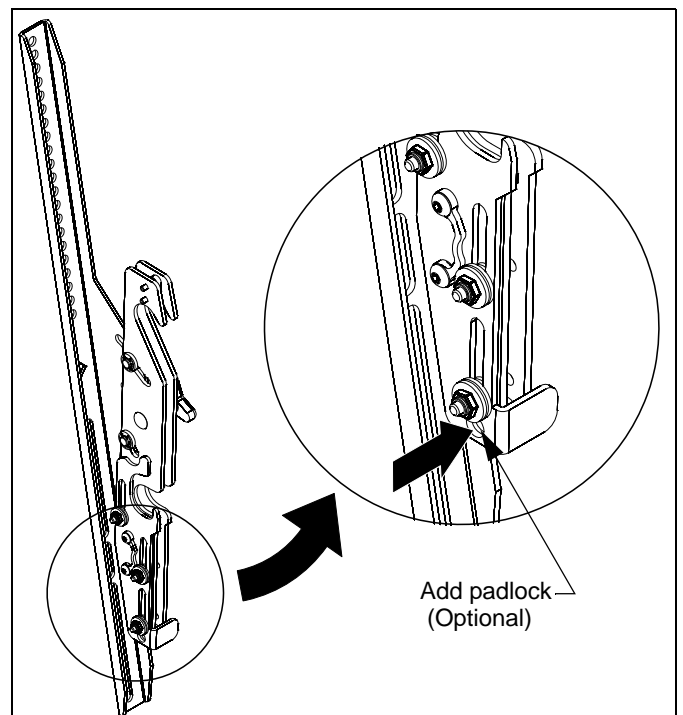


Figure 12







Our Mounts. **Your Vision.**

Chief Manufacturing, a products division  
of Milestone AV Technologies

8800-002375 Rev02  
©2013 Milestone AV Technologies, a  
Duchossois Group Company  
[www.chiefmfg.com](http://www.chiefmfg.com)  
07/13

<b>USA/International</b>	<b>A</b> 6436 City West Parkway, Eden Prairie, MN 55344 <b>P</b> 800.582.6480 / 952.225.6000 <b>F</b> 877.894.6918 / 952.894.6918
<b>Europe</b>	<b>A</b> Franklinstraat 14, 6003 DK Weert, Netherlands <b>P</b> +31 (0) 495 580 852 <b>F</b> +31 (0) 495 580 845
<b>Asia Pacific</b>	<b>A</b> Office No. 1 on 12/F, Shatin Galleria 18-24 Shan Mei Street Fotan, Shatin, Hong Kong <b>P</b> 852 2145 4099 <b>F</b> 852 2145 4477

