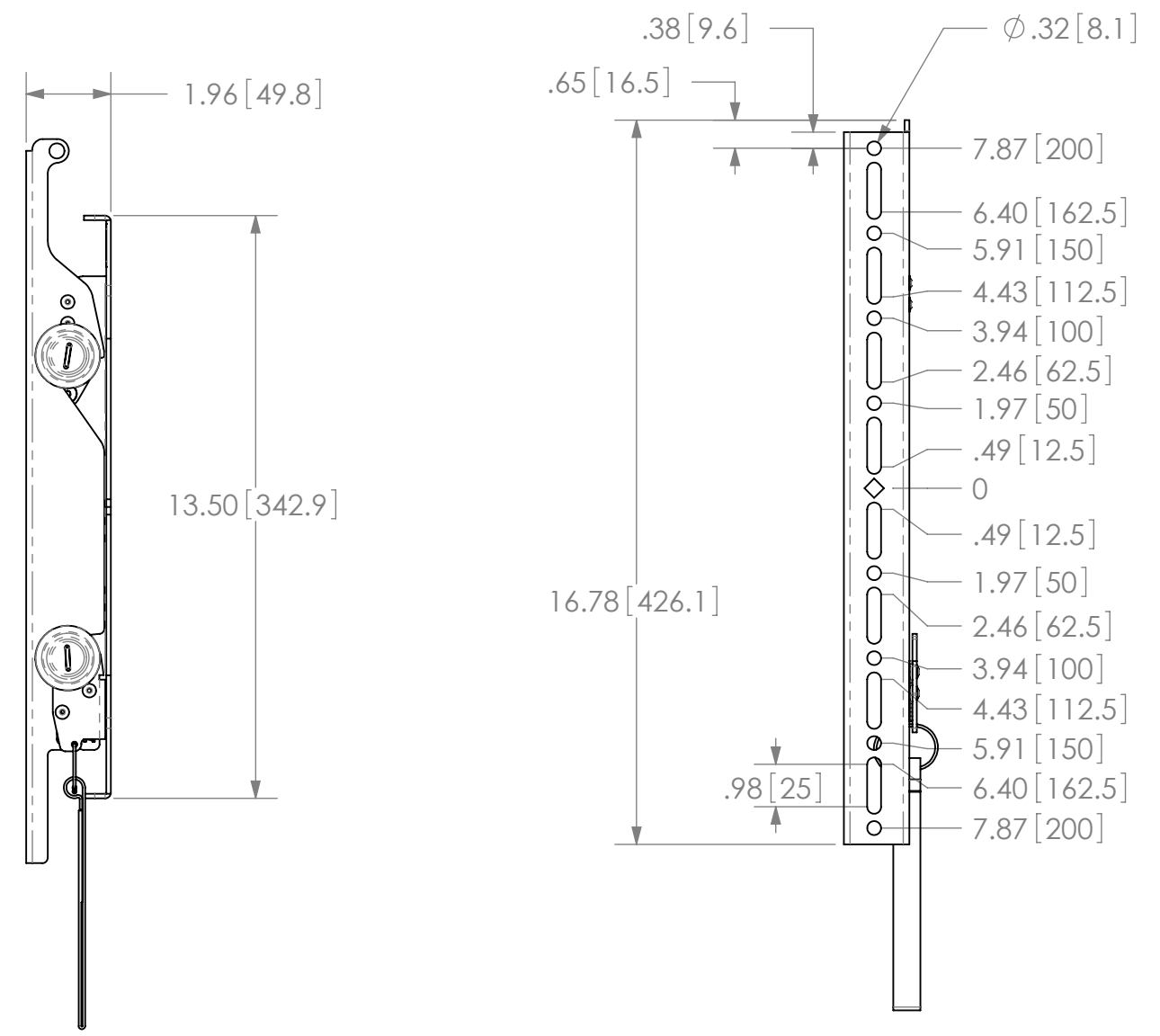


NOTES:

1. MAX MOUNTING PATTERN IS 22.9" [581.6mm] WITHOUT REVERSING UPRIGHTS.
2. MAX MOUNTING PATTERN IS 25.5" [647.7mm] WITH REVERSING UPRIGHTS.
3. FOR RECESSED APPLICATIONS, MINIMUM VERTICAL LIFT FOR HOOK ENGAGEMENT IS .56" [14.2mm].
4. MOUNT RAILS CAN BE SLID LEFT OR RIGHT FOR OFFSET APPLICATIONS.
5. MOUNT IS 1.96" [49.8mm] DEEP WHEN FLAT TO WALL.



MSAU AND MSAXXXX