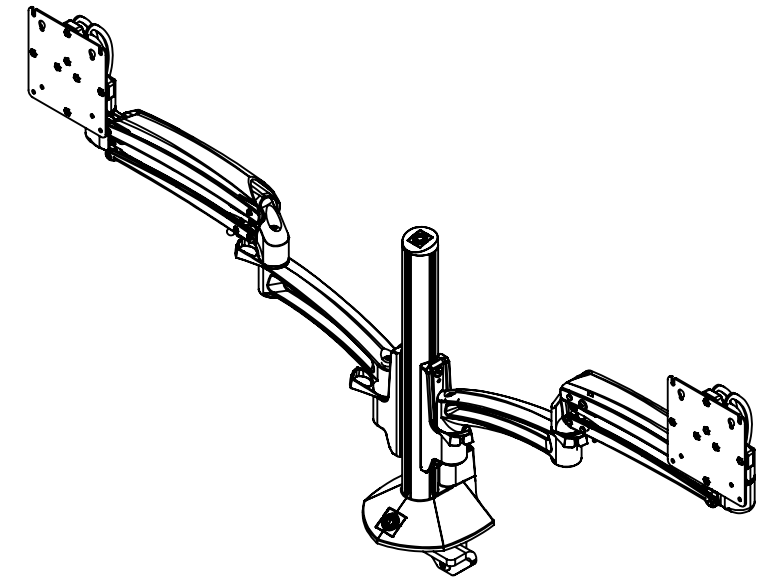
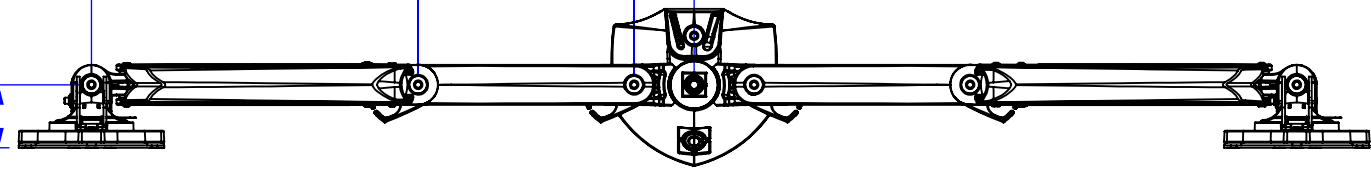


DYNAMIC LIT ARM  
LENGTH RANGE  
STRAIGHT = MAX  
FULL UP/DOWN = MIN

10.21  
7.12  
[259.3]  
[180.9]

6.75 [171.5] 1.88 [47.6]

1.97 [50.1]



INTERFACE  
ROTATION  
RANGE  
±90°

MOUNTING PATTERN  
COMPATIBILITY  
100 X 100  
75 X 75

TILT RANGE  
75° UP  
10° DOWN

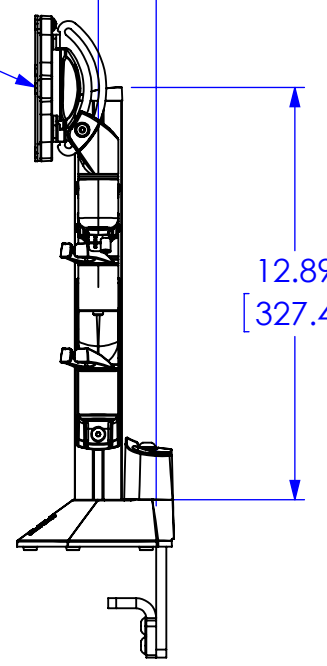
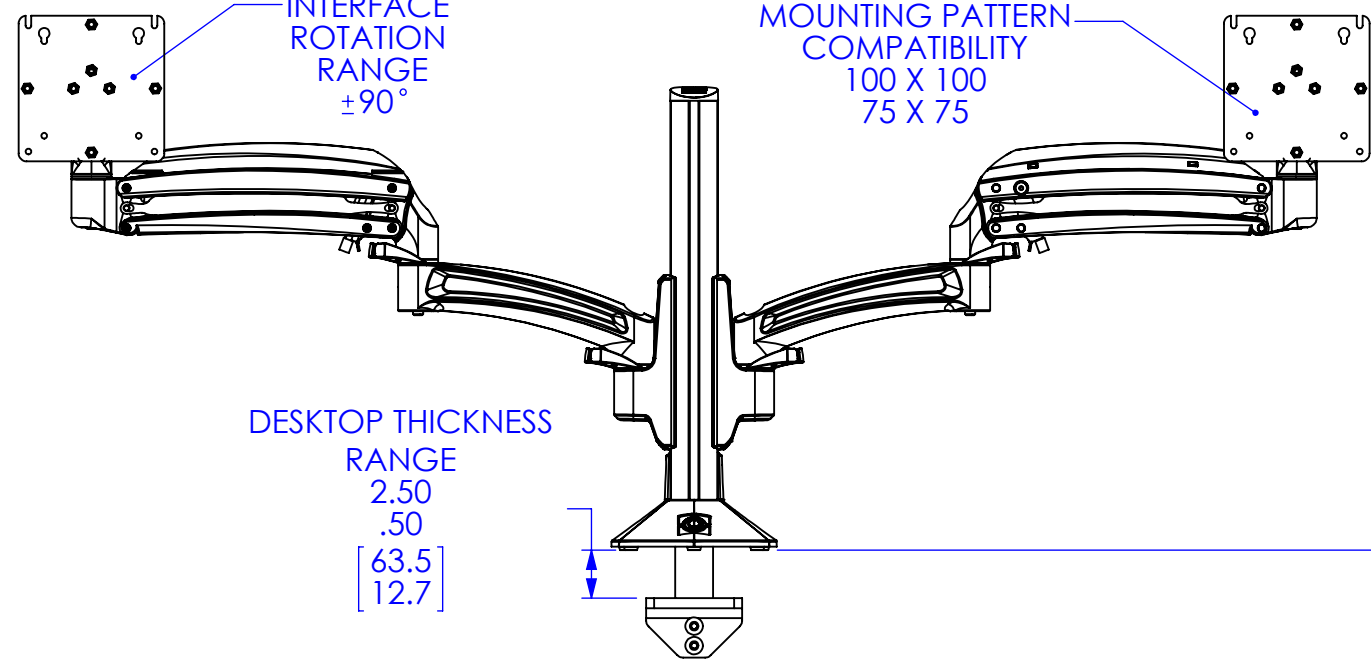
HEIGHT ADJUST RANGE  
MANUAL (7") + DYNAMIC (13")

26.59  
6.59  
[675.3]  
[167.3]

DESKTOP THICKNESS  
RANGE  
2.50  
.50  
[63.5]  
[12.7]

1.81 [46]

12.89 [327.4]



THE INFORMATION AND DESIGNS CONTAINED IN THIS DRAWING ARE CONFIDENTIAL AND THE PROPRIETARY PROPERTY OF MILESTONE AV TECHNOLOGIES NEITHER THIS DESIGN NOR ANY INFORMATION CONTAINED IN THIS DRAWING MAY BE REPRODUCED OR DISCLOSED TO OTHERS WITHOUT THE EXPRESS WRITTEN CONSENT OF MILESTONE AV TECHNOLOGIES.

CAD GENERATED DRAWING, DO NOT MANUALLY UPDATE.			<b>CHIEF</b>		6436 CITY WEST PKWY EDEN PRAIRIE MN, 55344 PHONE: 866-977-3901 FAX: 877-894-6918
DRAWN BY	MW	6/2/2014	DESCRIPTION		
ENG APPROVAL			K1C220xXRH		
MFG APPROVAL			MODEL NO.		
QA APPROVAL			K1C220xXRH		
SHEET 1 OF 1		SCALE 1:6	SIZE B	DWG. NO. TECH-000177	REV. 02