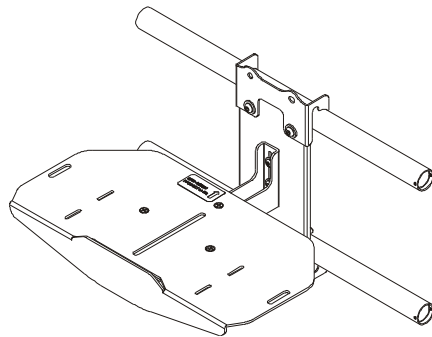
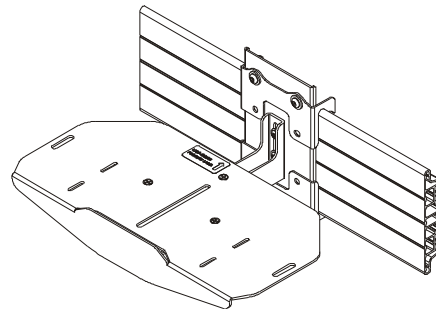


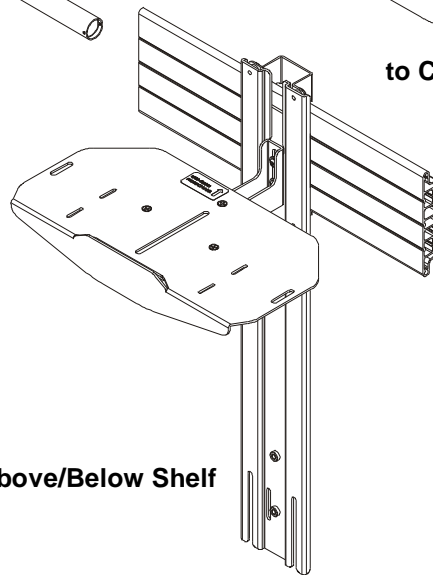
INSTALLATION INSTRUCTIONS



to Wall Mount



to Cart/Ceiling mount



to Above/Below Shelf

(FCA821 shown)

Fusion™ Center Accessory Shelf

DISCLAIMER

Milestone AV Technologies and its affiliated corporations and subsidiaries (collectively "Milestone"), intend to make this manual accurate and complete. However, Milestone makes no claim that the information contained herein covers all details, conditions or variations, nor does it provide for every possible contingency in connection with the installation or use of this product. The information contained in this document is subject to change without notice or obligation of any kind. Milestone makes no representation of warranty, expressed or implied, regarding the information contained herein. Milestone assumes no responsibility for accuracy, completeness or sufficiency of the information contained in this document.

Chief® is a registered trademark of Milestone AV Technologies. All rights reserved.

DEFINITIONS

MOUNTING SYSTEM: A MOUNTING SYSTEM is the primary Chief product to which an accessory and/or component is attached.

ACCESSORY: AN ACCESSORY is the secondary Chief product which is attached to a primary Chief product, and may have a component attached or setting on it.

COMPONENT: A COMPONENT is an audiovisual item designed to be attached or resting on an accessory or mounting system such as a video camera, CPU, screen, display, projector, etc.



WARNING: A WARNING alerts you to the possibility of serious injury or death if you do not follow the instructions.



CAUTION: A CAUTION alerts you to the possibility of damage or destruction of equipment if you do not follow the corresponding instructions.



IMPORTANT SAFETY INSTRUCTIONS



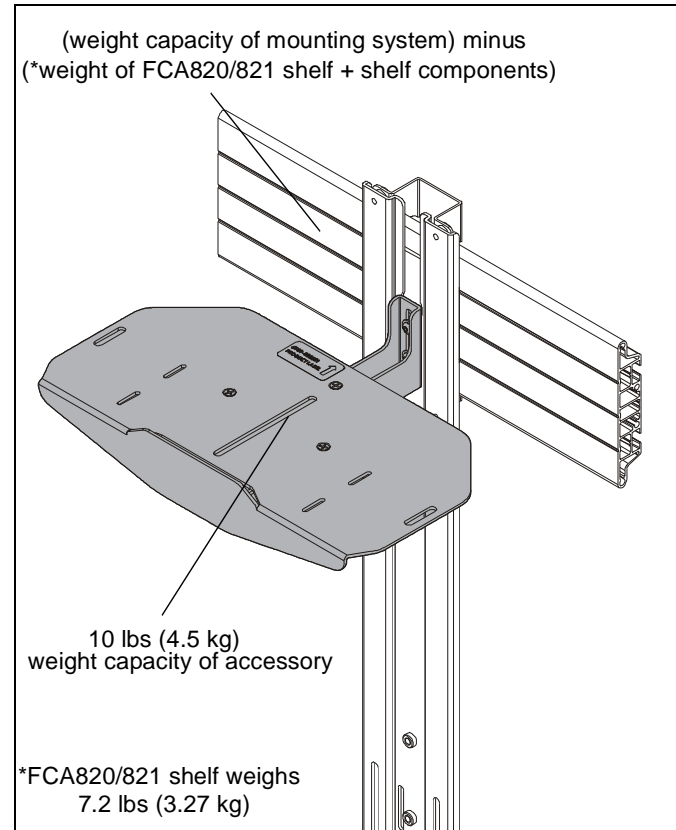
WARNING: Failure to read, thoroughly understand, and follow all instructions can result in serious personal injury, damage to equipment, or voiding of factory warranty! It is the installer's responsibility to make sure all accessories are properly assembled and installed using the instructions provided.



WARNING: Exceeding the weight capacity can result in serious personal injury or damage to equipment! It is the installer's responsibility to make sure the combined weight mounted to the FCA820/821 shelves does not exceed 10 lbs (4.5 kg).



WARNING: Use of this accessory will decrease the weight capacity of the mounting system to which it is attached by the combined weight of the accessory and all components supported by this accessory! See Figure below for reference.



WARNING: Use this accessory only for its intended use as described in these instructions. Do not use attachments not recommended by the manufacturer.



WARNING: Never operate this accessory if it is damaged. Return the accessory to a service center for examination and repair.



WARNING: Do not use this product outdoors.

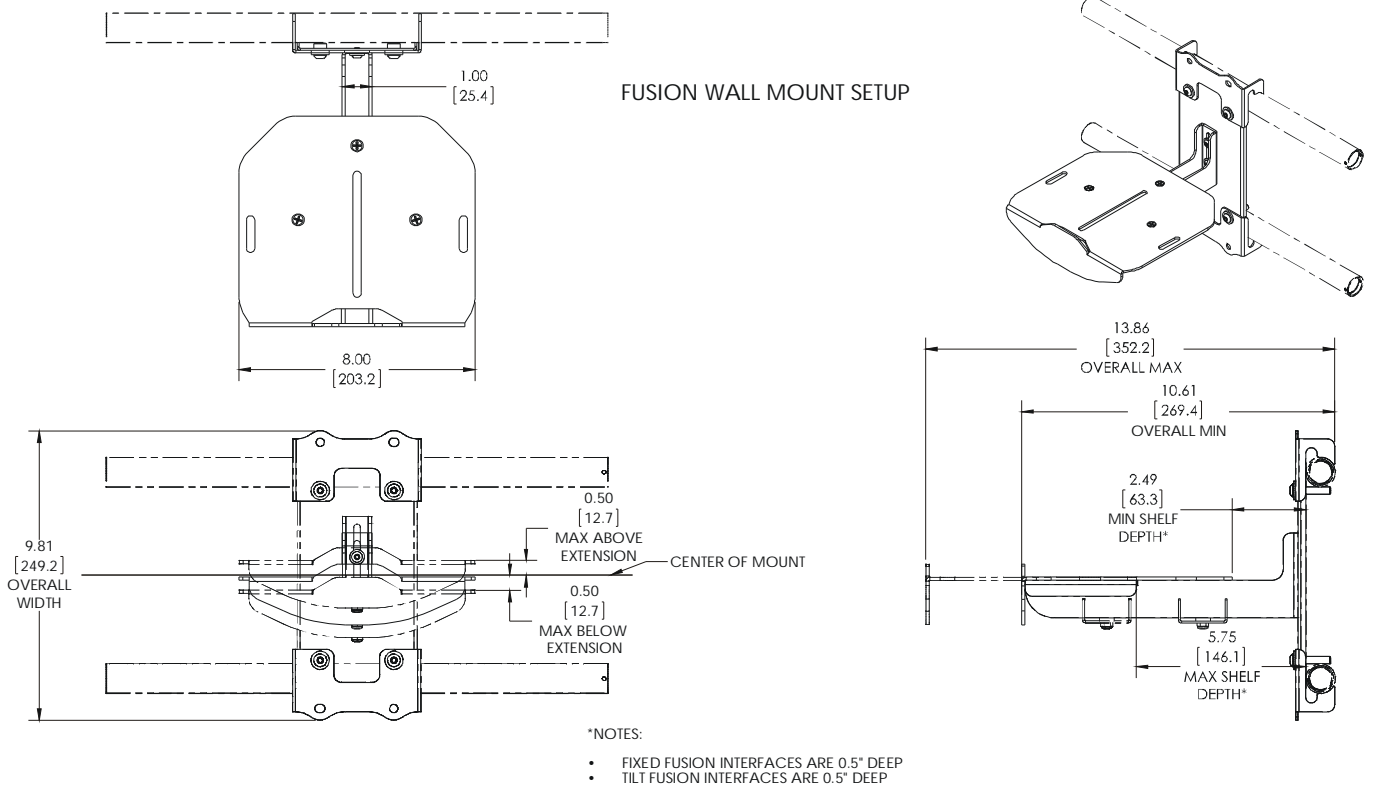


WARNING: RISK OF INJURY TO PERSONS! Do not use this accessory to support video equipment such as televisions or computer monitors.

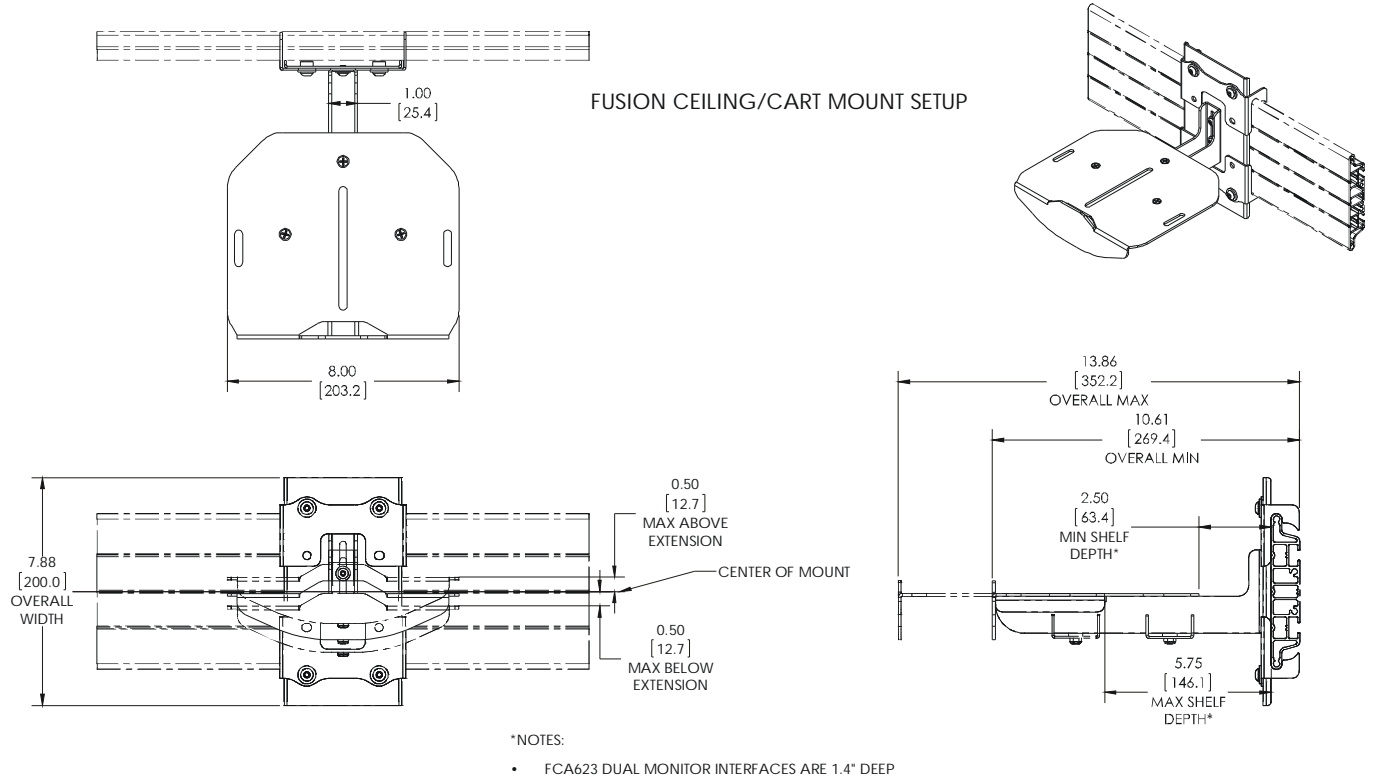
--SAVE THESE INSTRUCTIONS--

DIMENSIONS - FCA820

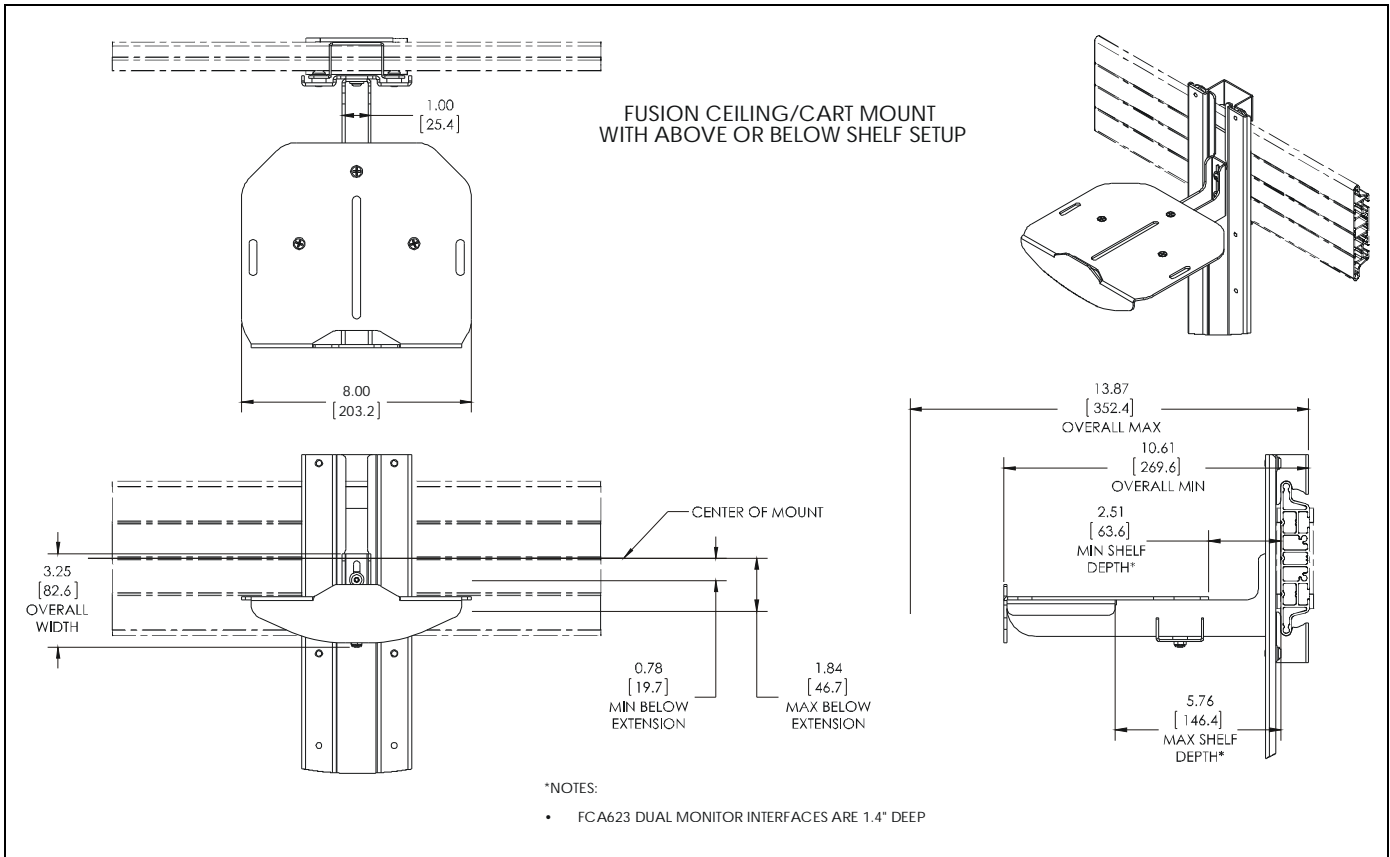
FUSION WALL MOUNT SETUP



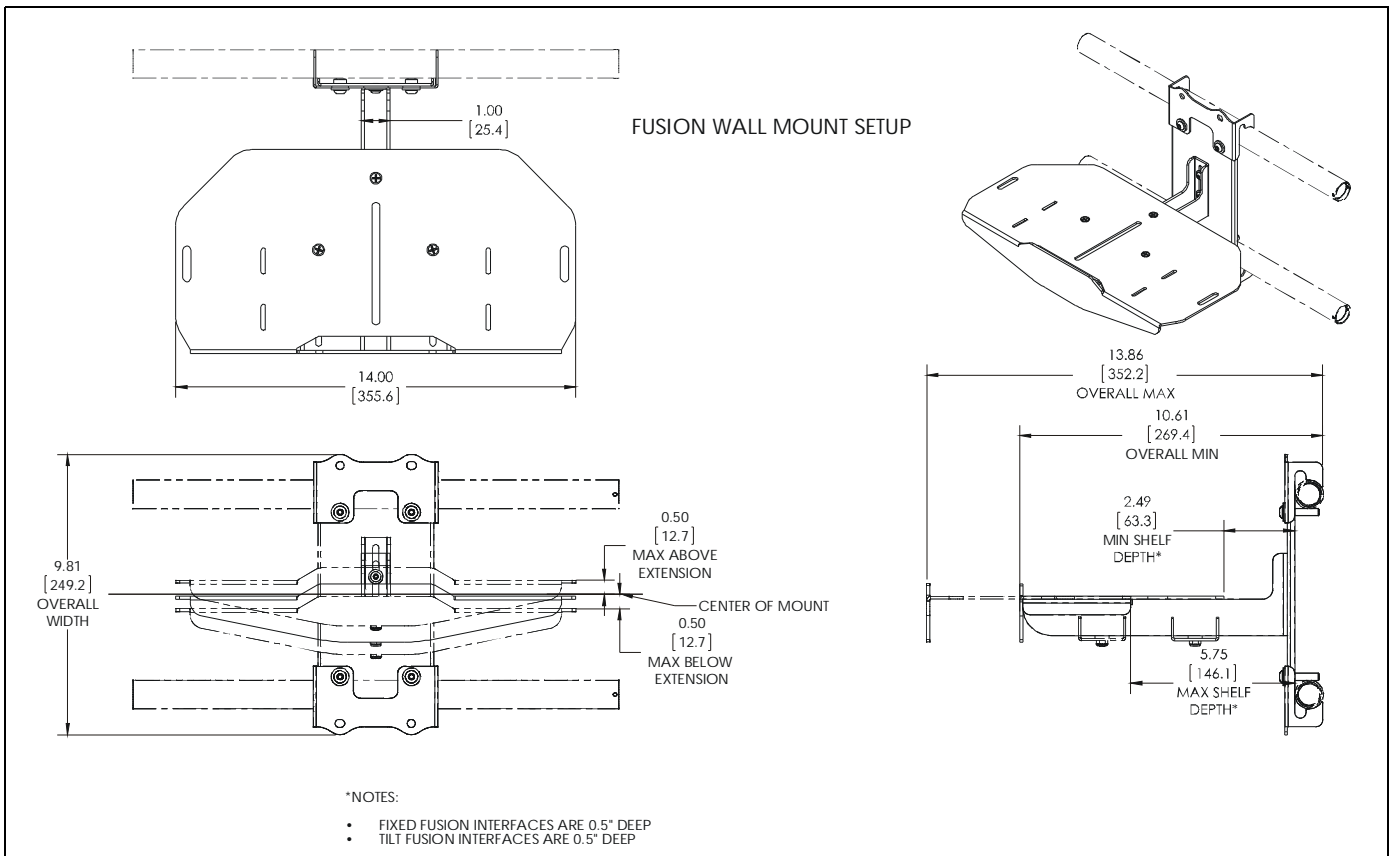
FUSION CEILING/CART MOUNT SETUP



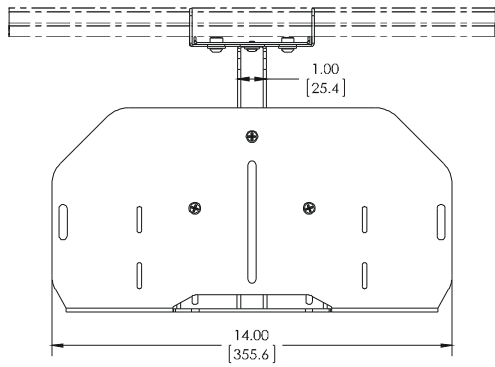
DIMENSIONS - FCA820 (CONTINUED)



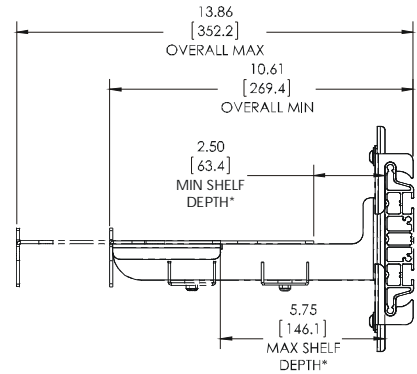
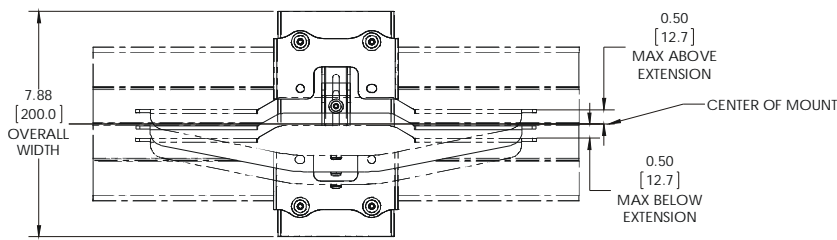
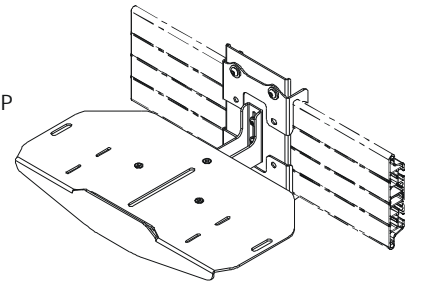
DIMENSIONS - FCA821



DIMENSIONS - FCA821 (CONTINUED)

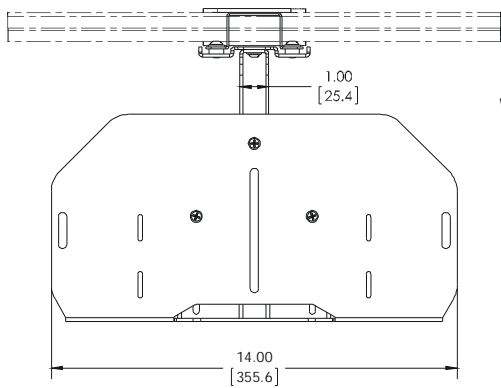


FUSION CEILING/CART MOUNT SETUP

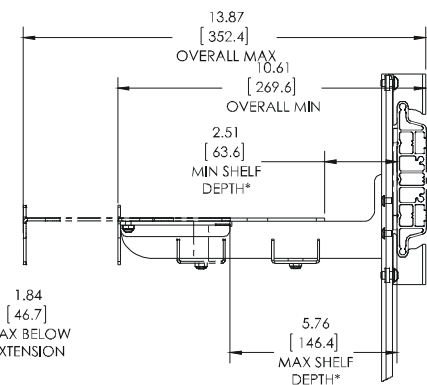
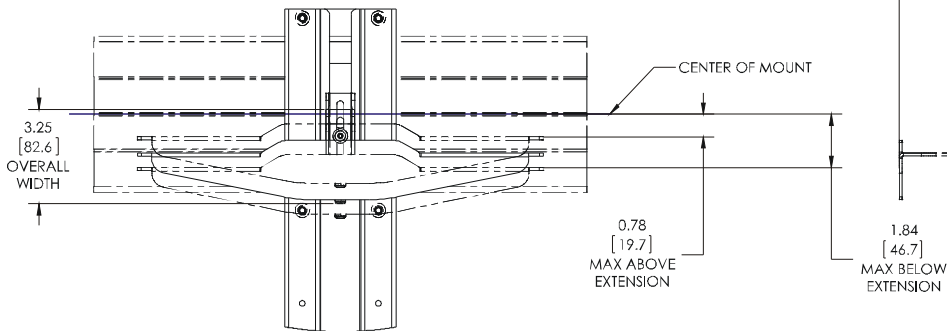
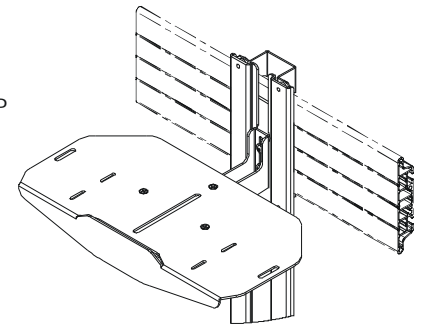


*NOTES:

- FCA623 DUAL MONITOR INTERFACES ARE 1.4" DEEP





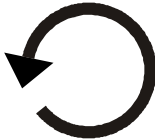


FUSION CEILING/CART MOUNT WITH ABOVE OR BELOW SHELF SETUP



*NOTES:

- FCA623 DUAL MONITOR INTERFACES ARE 1.4" DEEP

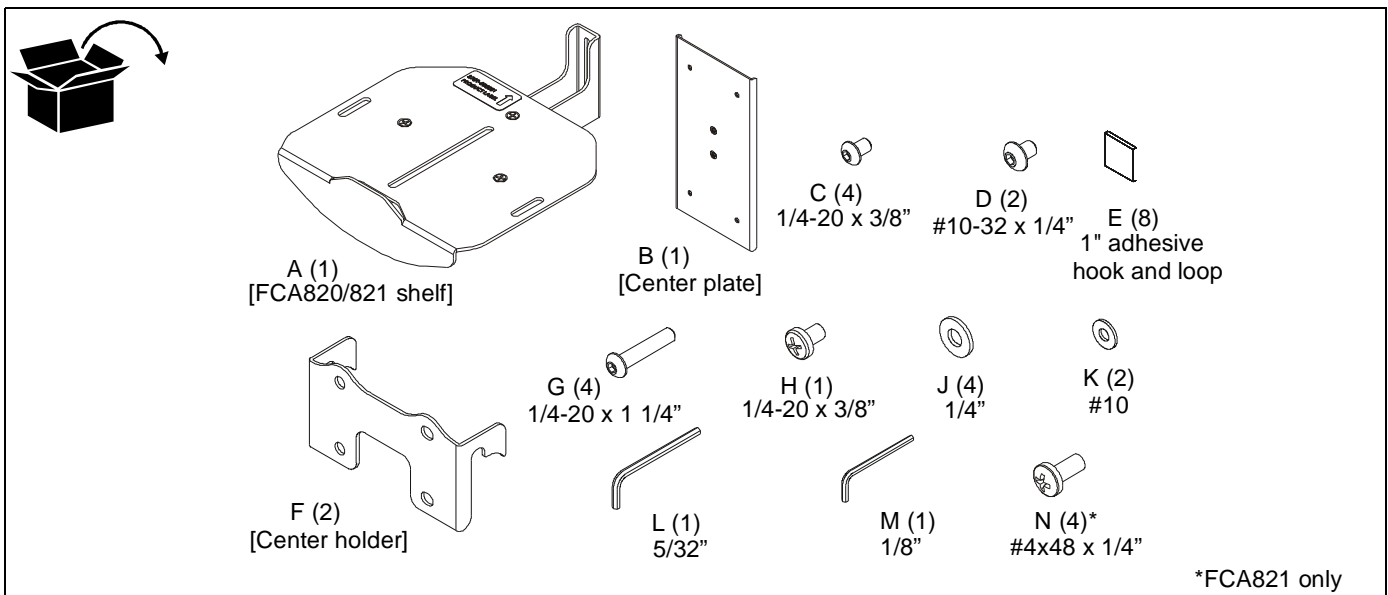
LEGEND

	Tighten Fastener		Phillips Screwdriver
	Apretar elemento de fijación		Destornillador Phillips
	Befestigungsteil festziehen		Kreuzschlitzschraubendreher
	Apertar fixador		Chave de fendas Phillips
	Serrare il fissaggio		Cacciavite a stella
	Bevestiging vastdraaien		Kruiskopschroevendraaier
Serrez les fixations	Tournevis à pointe cruciforme		
	Loosen Fastener		Open-Ended Wrench
	Afajar elemento de fijación		Llave de boca
	Befestigungsteil lösen		Gabelschlüssel
	Desapertar fixador		Chave de bocas
	Allentare il fissaggio		Chiave a punta aperte
	Bevestiging losdraaien		Steeksleutel
Desserrez les fixations	Clé à fourche		
	Hex-Head Wrench		
	Llave de cabeza hexagonal		
	Sechskantschlüssel		
	Chave de cabeça sextavada		
	Chiave esagonale		
	Zeskantsleutel		
Clé à tête hexagonale			

TOOLS REQUIRED FOR INSTALLATION



PARTS



ASSEMBLY AND INSTALLATION

Installing to Cart/Ceiling Mount

NOTE: If installing to Wall Mount, proceed to "Installing to Wall Mount" Section. If installing to a FCA810/811 shelf, proceed to "Installing to FCA810/811 Shelves" section.

1. Attach FCA820/821 shelf (A) to center plate (B) using two #10-32 x 1/4" button head cap screws (D) and two #10 washers (K). (See Figure 1)

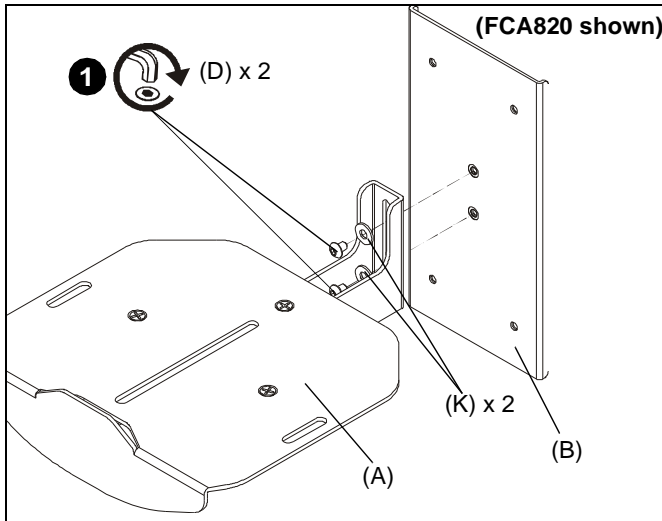


Figure 1

2. Use two 1/4-20 x 3/8" button head cap screws (C) and two 1/4" washers (J) to attach one center holder (F) to center plate (B). (See Figure 2)

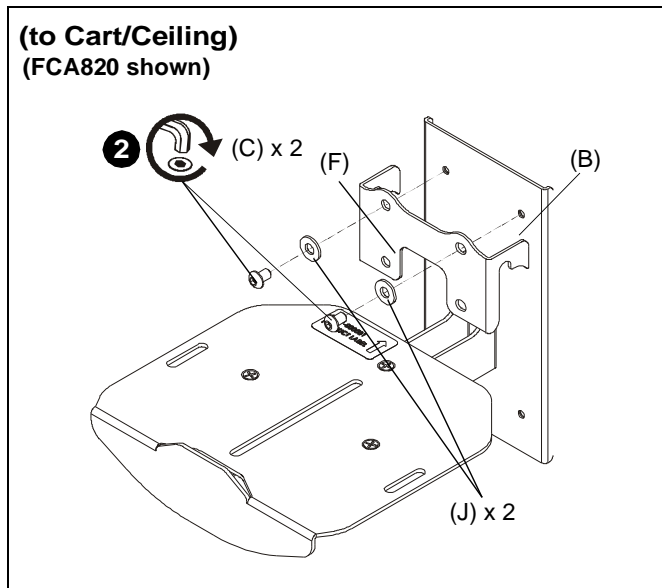


Figure 2

3. Place center holder (F) on top of cart interface. (See Figure 3)
4. Place second center holder (F) underneath cart interface so that mounting holes are aligned. (See Figure 3)

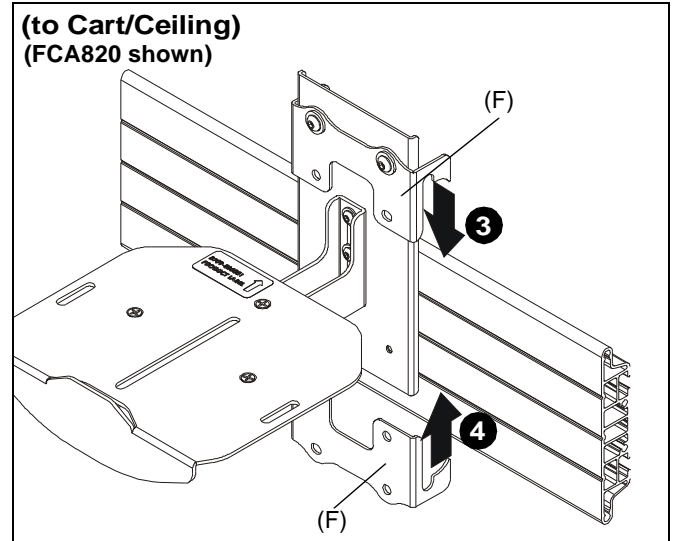


Figure 3

5. Use two 1/4-20 x 3/8" button head cap screws (C) and two 1/4" washers (J) to attach the other center holder (F) to center plate (B). (See Figure 4)

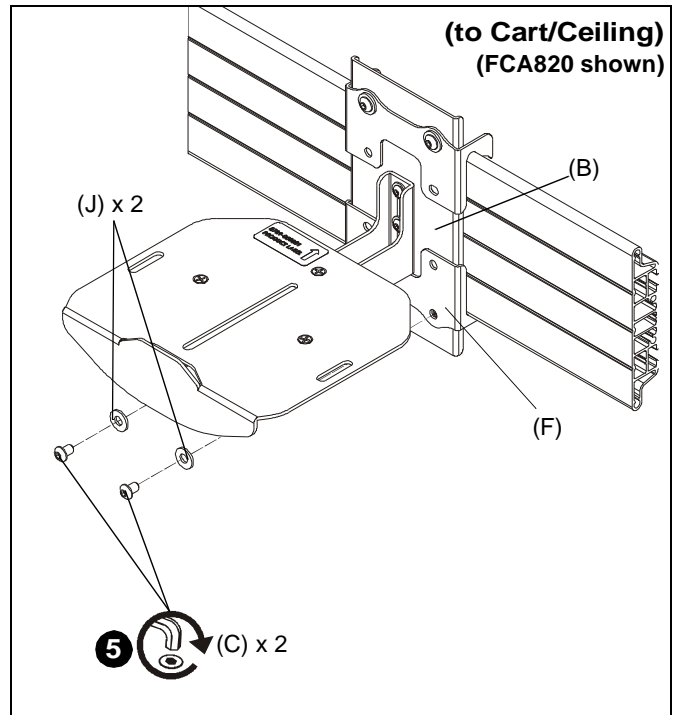


Figure 4

Installing to Wall Mount

1. Attach FCA820/821 shelf (A) to center plate (B) using two #10-32 x 1/4" button head cap screws (D) and two #10 washers (K). (See Figure 5)

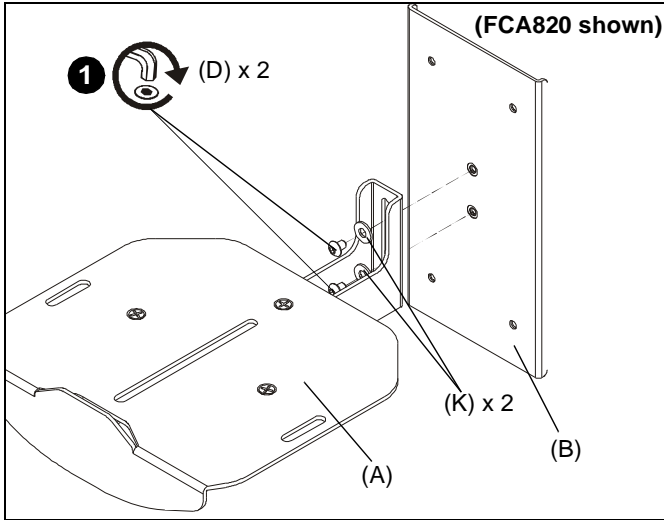


Figure 5

2. Use two 1/4-20 x 1 1/4" button head cap screws (G) and two 1/4" washers (J) to partially attach one center holder (F) to center plate (B). Do NOT install screws too far or installation to wall mount will not be possible. (See Figure 6)

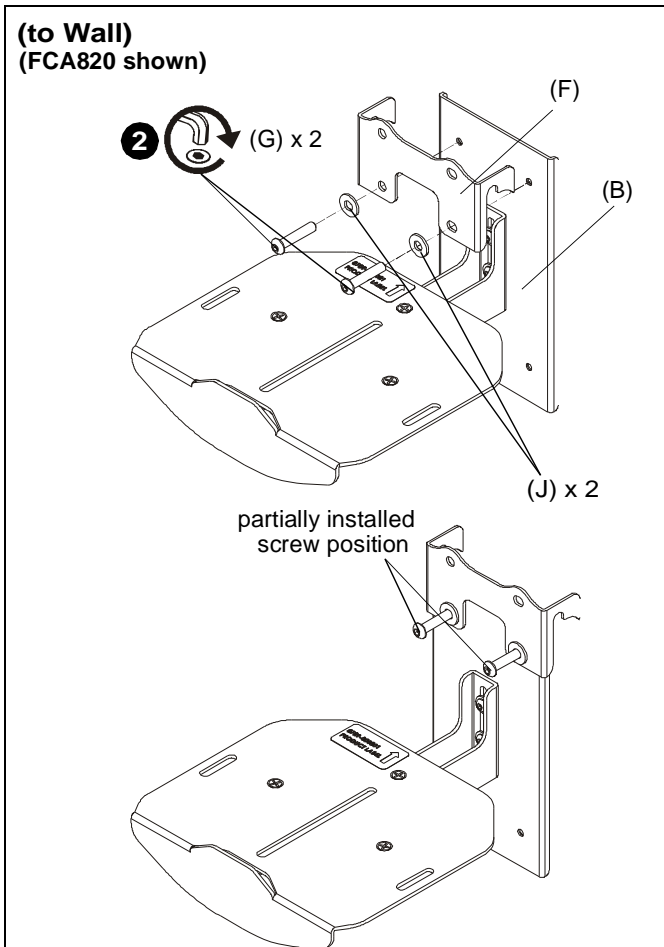


Figure 6

3. Place center holder (F) on top of wall mount rail. (See Figure 7)
4. Tighten two screws (G) holding center holder (F) to center plate (B). (See Figure 7)
5. Place second center holder (F) underneath wall mount rail so that mounting holes are aligned. (See Figure 7)

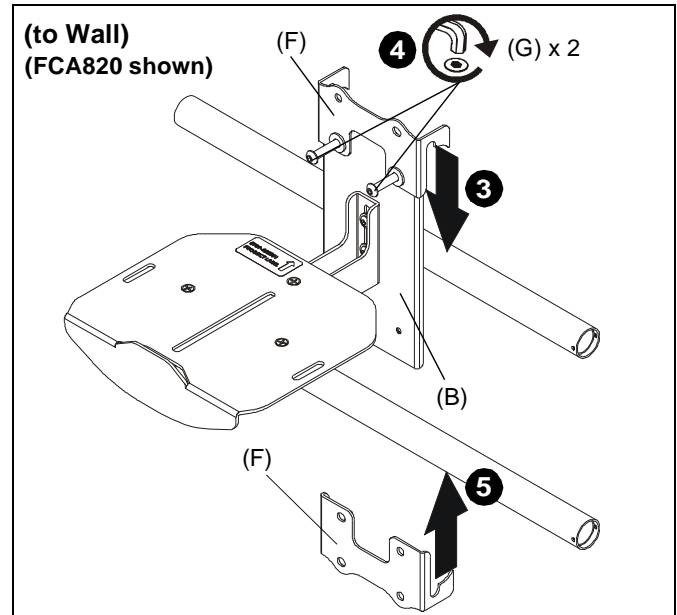


Figure 7

6. Use two 1/4-20 x 1 1/4" button head cap screws (G) and two 1/4" washers (J) to attach the other center holder (F) to center plate (B). (See Figure 8)

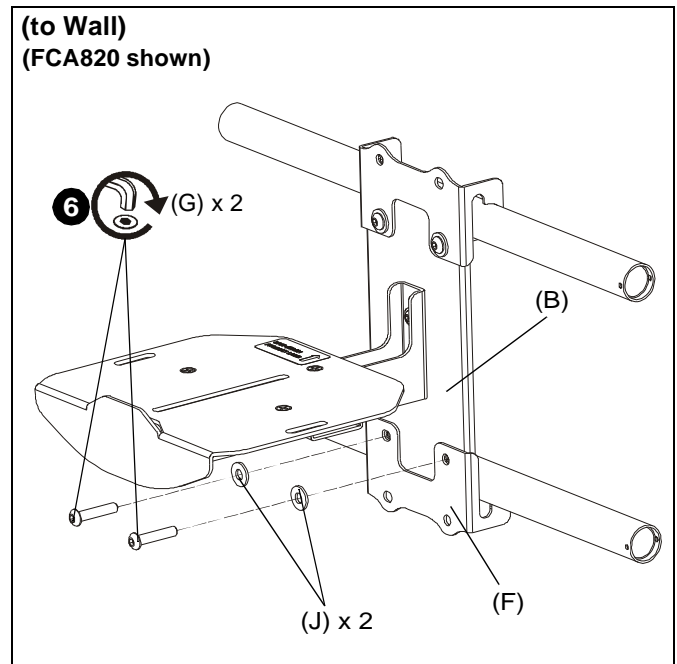


Figure 8

Installing to FCA810/811 Shelves

NOTE: FCA820/821 may be attached to FCA810/811 Above/ Below Shelves.

1. Install FCA810/811 shelf to mount following FCA810/811 installation instructions.
2. Use two #10-32 x 1/4" button head cap screws (D) and two #10 washers (K) to secure FCA820/821 shelf (A) to FCA810/811 main bracket. (See Figure 9)

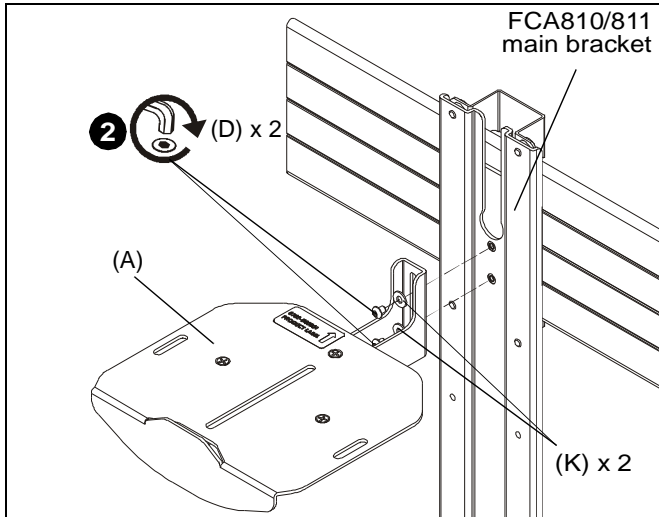


Figure 9

Installing Camera (not included)



WARNING: Exceeding the weight capacity can result in serious personal injury or damage to equipment! It is the installer's responsibility to make sure the combined weight of all components located on the FCA820/821 does not exceed 10 lbs (4.5 kg).



WARNING: Camera must be secured to FCA820/821 shelf using either adhesive hook and loop squares (E) or screws (H or N)! Failure to securely mount camera to shelf may result in serious personal injury or damage to equipment!

NOTE: OPTIONAL: Slots are provided in shelf for strap (not included) to hold camera in place. (See Figure 10)

Using Adhesive Squares

1. Use up to eight adhesive hook and loop squares (E) to secure camera to shelf. Attach adhesive squares to bottom of camera first and then attach corresponding squares to shelf when the exact mounting location has been determined. (See Figure 10)

Using Screw(s)

NOTE: Screw mounting options will vary based upon camera model.

2. (Single Screw option) Install 1/4-20 x 3/8" Phillips pan machine screw (H) through mounting slot on shelf and into hole on bottom of camera. (See Figure 10)

3. (Multiple screw option - FCA821 only) Install four #4-48 x 1/4" Phillips pan machine screws (N) through outside mounting slots and into holes on bottom of camera. (See Figure 11)
4. Route cable from camera towards back of shelf and down behind the FCA820/821. (See Figure 10) and (See Figure 11)

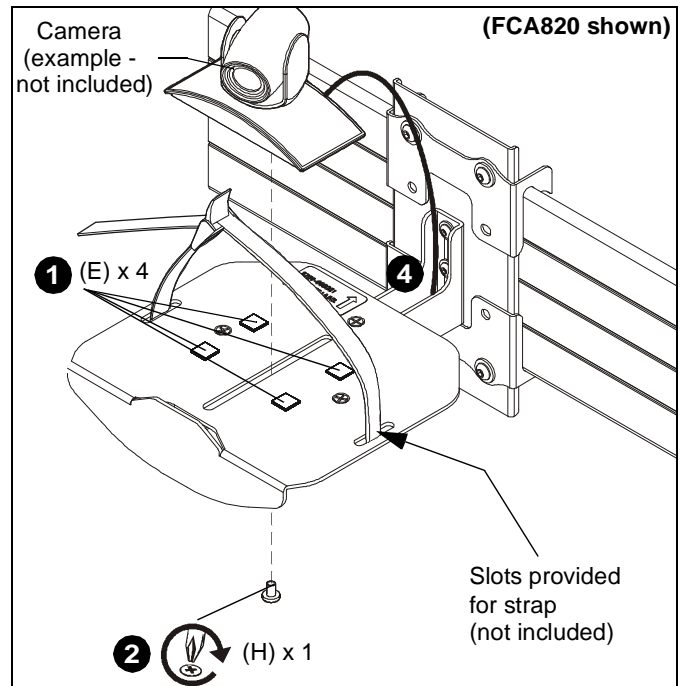


Figure 10

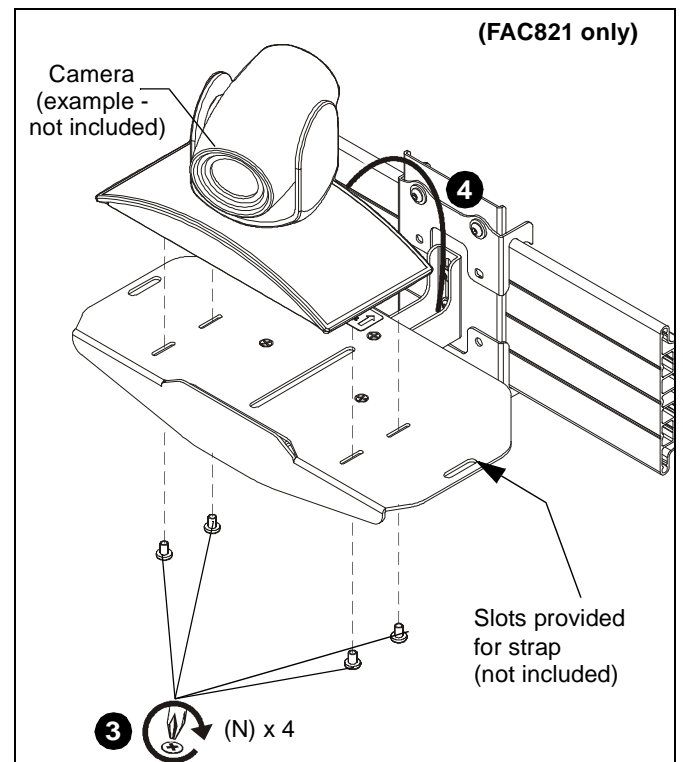


Figure 11



Our Mounts. **Your Vision.**

Chief, a products division of
Milestone AV Technologies

8800-002586 Rev01
©2016 Milestone AV Technologies
www.milestone.com
06/16

USA/International	A 6436 City West Parkway, Eden Prairie, MN 55344 P 800.582.6480 / 952.225.6000 F 877.894.6918 / 952.894.6918
Europe	A Franklinstraat 14, 6003 DK Weert, Netherlands P +31 (0) 495 580 852 F +31 (0) 495 580 845
Asia Pacific	A Office No. 918 on 9/F, Shatin Galleria 18-24 Shan Mei Street Fotan, Shatin, Hong Kong P 852 2145 4099 F 852 2145 4477

