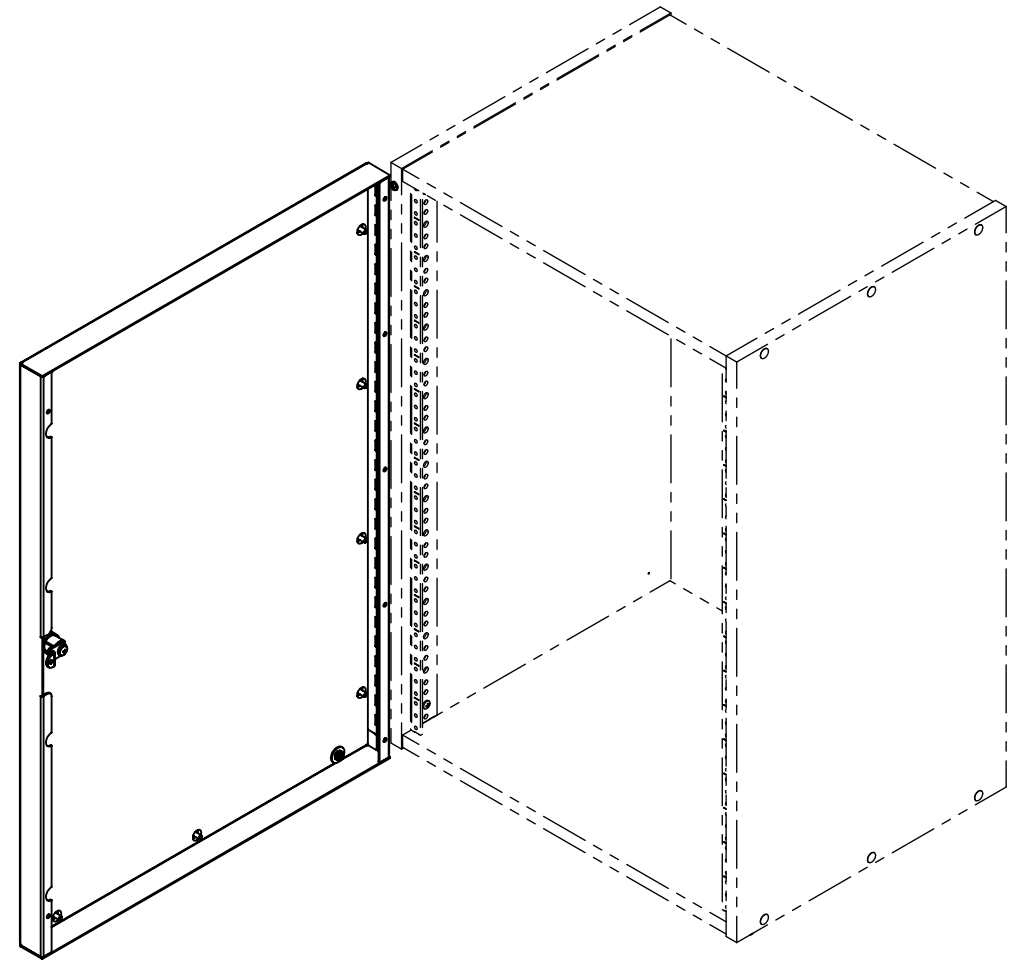
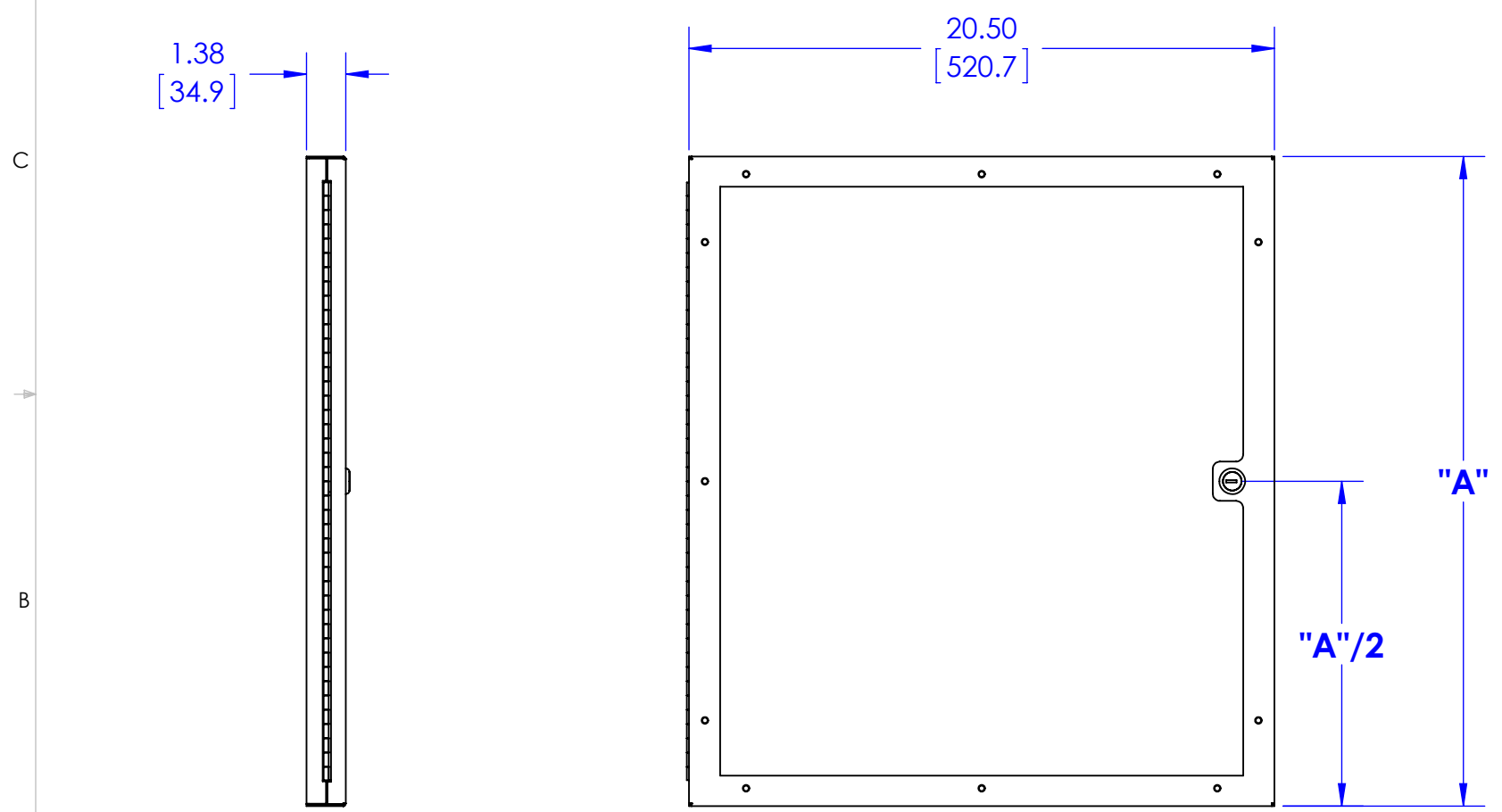


MODEL NUMBER	DESCRIPTION	DIMENSION "A"
ERD-8	ECONOMY RACK PLEXI DOOR-8 SPACES	15.75 [400.0mm]
ERD-12	ECONOMY RACK PLEXI DOOR-12 SPACES	22.75 [577.9mm]
ERD-16	ECONOMY RACK PLEX DOOR-16 SPACES	29.75 [755.6mm]
ERD-20	ECONOMY RACK PLEX DOOR-20 SPACES	36.75 [933.5mm]
ERD-8P	ECONOMY RACK PERF DOOR-8 SPACES	15.75 [400.0mm]
ERD-12P	ECONOMY RACK PERF DOOR-12 SPACES	22.75 [577.9mm]
ERD-16P	ECONOMY RACK PERF DOOR-16 SPACES	29.75 [755.6mm]
ERD-20P	ECONOMY RACK PERF DOOR-20 SPACES	36.75 [933.5mm]

STATUS: LP 10/11/2012 - RELEASED ON ECO: 500006568

TECH-000242



ERD-16 SHOWN

THE INFORMATION AND DESIGNS CONTAINED IN THIS DRAWING ARE CONFIDENTIAL AND THE PROPRIETARY PROPERTY OF MILESTONE AV TECHNOLOGIES NEITHER THIS DESIGN NOR ANY INFORMATION CONTAINED IN THIS DRAWING MAY BE REPRODUCED OR DISCLOSED TO OTHERS WITHOUT THE EXPRESS WRITTEN CONSENT OF MILESTONE AV TECHNOLOGIES.

CAD GENERATED DRAWING, DO NOT MANUALLY UPDATE.			6436 CITY WEST PKWY EDEN PRAIRIE MN, 55344 PHONE: 866-977-3901 FAX: 877-894-6918	
DRAWN BY	LRP	9/25/2012		
ENG APPROVAL	LRP	10/11/2012	DESCRIPTION <b>ERD DOOR ASSEMBLY</b>	
MFG APPROVAL			MODEL NO. <b>ERD</b>	
QA APPROVAL			SIZE <b>B</b>	DWG. NO. <b>TECH-000242</b>
SHEET 1 OF 1			SCALE <b>1:16</b>	REV. <b>00</b>