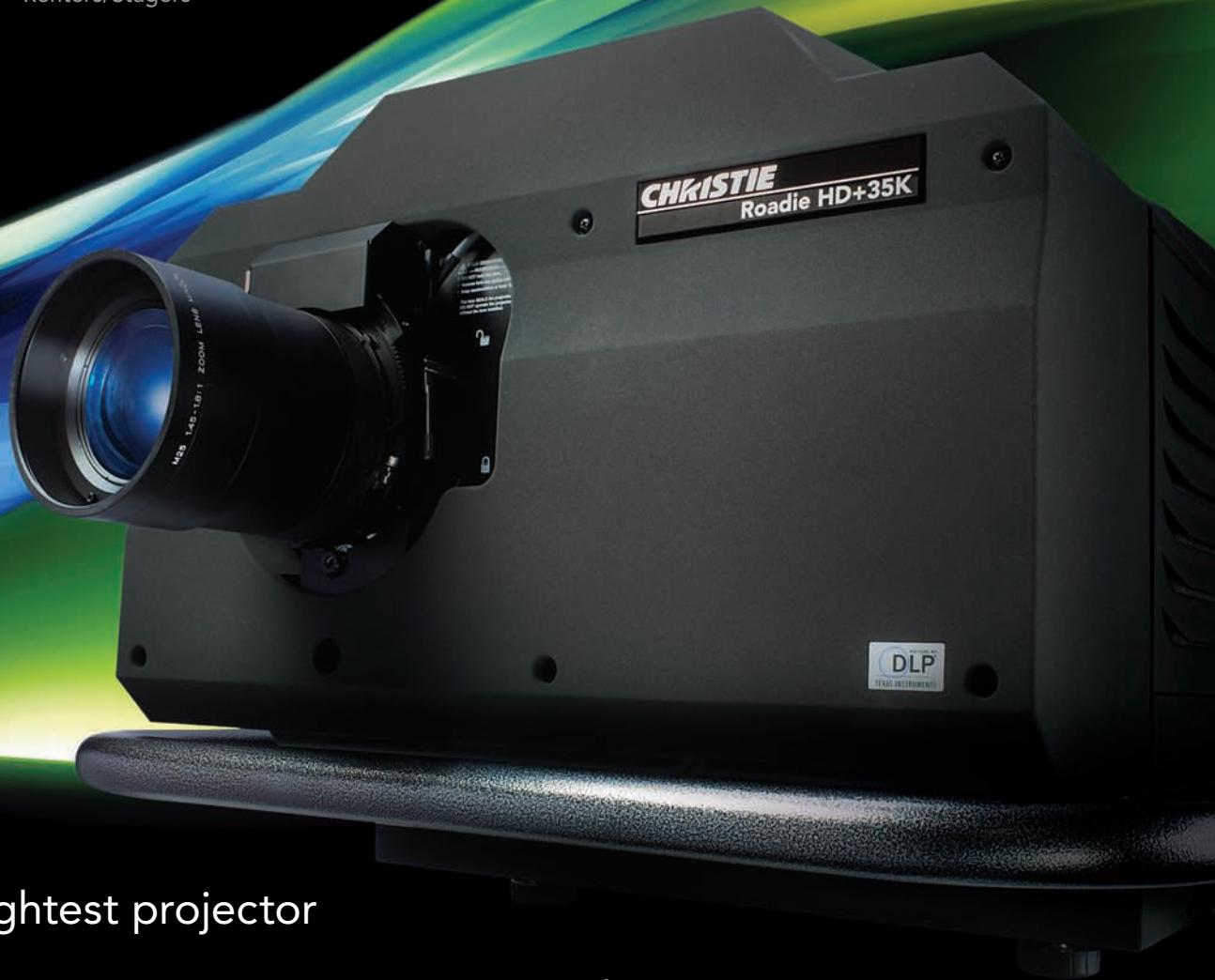


Roadie HD+35K

Audience events Houses of worship
Auditoriums Large venues
Building projection Renters/Stagers



World's brightest projector

There's only one projector with the brightest, highest resolution HD image – the Christie® Roadie HD+35K. There's no comparison to its 2K resolution, brightness or performance.

Producing 32,500 ANSI lumens (35,000 center lumens), the Christie Roadie HD+35K features a unique, flexible split-body design with separate switching lamp ballast. The design of the rear air exhaust hood allows you to stack up to two projectors for redundancy or additional brightness, and the motorized lens mount lets you focus and adjust lens position using a remote control. Built-in portrait capabilities give you the flexibility to design your displays in portrait orientation without additional equipment.

With native 2048 x 1080 HD resolution and 10-bit image processing, images are stunning in their size, brilliance and quality. The user-replaceable lamps – that can be automatically aligned at the push of a button – and user-friendly controls make the Christie HD+35K easy to maintain and service. With built-in body handles for handling and rigging or an optional stacking/rigging frame, this tough, manageable projector is built for true roadworthiness, frequent transport and quick set up.

CHRISTIE®

Simply stunning images

The Christie Roadie HD+35K delivers superior image quality and allows you to stack, blend and color-match multiple projectors. Ideal for building projection, live events and large venue applications, it offers:

- 35,000 lumens at 2048 x 1080 resolution
- 3-chip DLP® technology
- Built-in portrait display capabilities
- Separate projection head and lamp ballast
- Built-in carrying and rigging handles
- Motorized lens mount
- Stackable (optional stacking frame for up to 70,000 lumens)
- High-performance, Xenon bubble lamp with auto-alignment

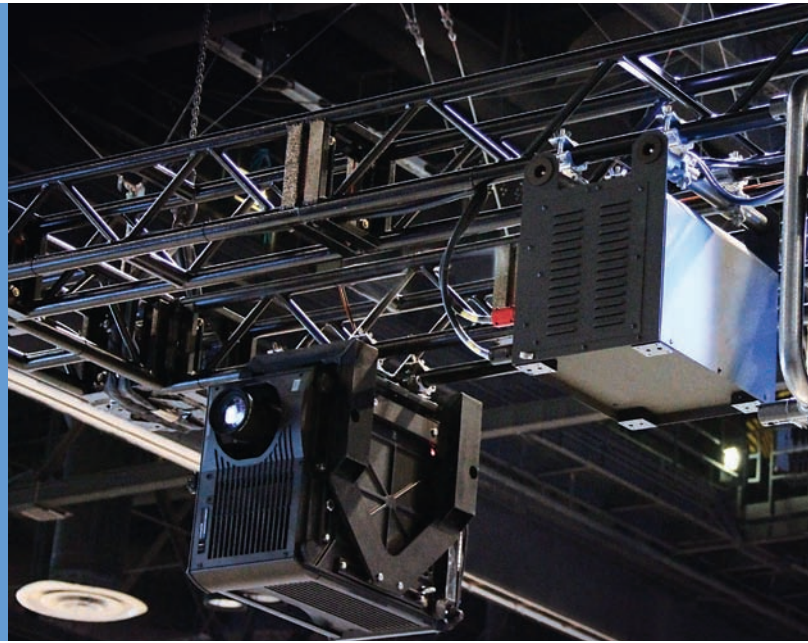


Image quality

High-quality optics, 3-chip DLP technology and world-class 10-bit image processing, along with low maintenance and high reliability (>100,000 hours MTBF for DMD's), the Christie Roadie HD+35K delivers:

- High brightness
- Repeatable color
- Excellent uniformity
- High contrast
- Excellent fill ratio
- Control capabilities in a native widescreen format



▲ Single-button direct key access, auto set-up and power-up features put real control at your fingertips.

Proven 10-bit native HD processing

Utilizing 10-bit processing, the Christie Roadie HD+35K continues to exceed expectations in image quality and reproduction. High bandwidth supports additional functionality such as Picture-in-Picture and seamless switching between sources.

Serviceability

Managing the operation and maintenance of the Christie Roadie HD+35K is easy. DMDs that can be aligned in the field and an optical engine that can be cleaned, give you full control of the projector. Replacement lamp costs are low and we offer the best warranty on the market – three years parts and labor (including light engine).

LiteLOC

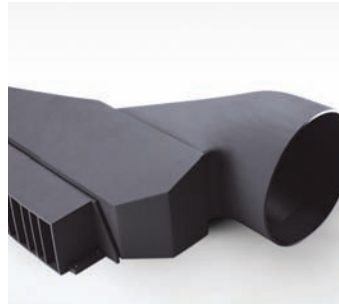
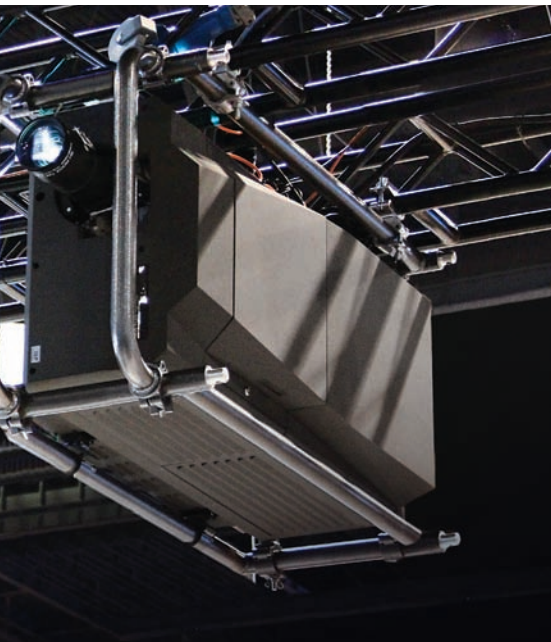
The LiteLOC™ feature automatically manages your display's brightness levels over time so you can match the brightness of a multiple projector system in tiled or blended arrays. This feedback system continuously monitors lamp brightness; so as the lamp goes through its natural brightness decay, the system increases the lamp power in order to maintain consistent brightness.

High performance electronics

Key strengths of the Christie Roadie HD+35K include Christie-designed electronics with HD 4:4:4 capabilities and digital black level control that can be used with built-in edge blending. Additional features include seamless switching, Picture-in-Picture, LiteLOC™ and a motorized lens mount. The built-in RJ-45 networking port also enables monitoring and control through ChristieNET™ to provide complete asset management. The video processing, with artifact-free video and excellent color and contrast, produces unparalleled images.



▲ Motorized lens mount lets you adjust focus and lens position using a remote control.



▲ The combination of the Christie Roadie ducted exhaust kit and extraction fan kit directs hot air away from the projector to prevent overheating when using the Christie Roadie HD+35K in an enclosed room.



◀ In total, there are two input card slots available on the Christie Roadie HD+35K, one is equipped with a standard Dual SD/HD-SDI input card.

▲ Christie Roadie ducted exhaust kit 113-107109-XX
Extraction fan kit 38-814008-XX

Portrait display capabilities

The Christie Roadie HD+35K has built-in portrait capabilities that are ideal for building and architectural displays, as well as for projection mapping applications.

Additionally, Christie offers an upgrade kit that enables you to add the portrait display functionality to existing Christie Roadie HD+35K projectors – in the field.

Monitor and manage

The Christie Roadie HD+35K supports Christie PowerTools™ – a free client-based software interface that enables you to easily monitor and manage most Christie LCD, 1-chip and 3-chip DLP projectors on your network. This single-user interface supports any number of Christie projectors on the network, regardless of their geographic location.



▲ CDXL high performance short-arc Xenon lamps offer increased brightness in the same form factor as standard Xenon grade lamps.

| Lens | Part number |
|--------------------|---------------|
| 0.8:1 Fixed | 113-104106-XX |
| 1.1:1 Fixed | 38-809071-XX |
| 1.25 – 1.45:1 Zoom | 38-809073-XX |
| 1.45 – 1.8:1 Zoom | 38-809074-XX |
| 1.8 – 2.4:1 Zoom | 38-809075-XX |
| 2.2 – 3.0:1 Zoom | 38-809076-XX |
| 3.0 – 4.3:1 Zoom | 38-809077-XX |
| 4.3 – 6.0:1 Zoom | 38-809072-XX |
| 5.5 – 8.5:1 Zoom | 38-809078-XX |

Specialty lenses

38-809054-XX
Anamorphic lens 1.26X



108-111102-XX
Motorized anamorphic lens mount



| Inputs | Part number |
|--------------------------------------|---------------|
| Dual SD/HD-SDI input | 38-804656-XX |
| DVI input | 38-804635-XX |
| Miscellaneous accessories | Part number |
| Anamorphic lens mount | 38-813019-XX |
| High contrast aperture kit | 38-813028-XX |
| Lamp safety kit | 598900-XX |
| Remote IR sensor | 104-106101-XX |
| Rigging frame | 38-814007-XX |
| Rigging clamps | 113-102101-XX |
| Wired remote control | 104-109001-XX |
| Roadie ducted exhaust kit | 113-107109-XX |
| Extraction fan kit | 38-814008-XX |
| 7kW switching ballast | 38-814001-XX |
| Filter replacement (6 Pack) | 03-001981-XX |
| Christie Twist™ | 108-103101-XX |
| Christie Twist™ Pro software upgrade | 108-247101-XX |
| Christie AutoStack™ | 108-308101-XX |
| Cable kits | Part number |
| Cable kit 100ft | 38-814006-XX |
| Cable kit 50ft | 38-814005-XX |
| Cable kit 25ft | 38-814004-XX |
| Cable kit 6ft | 38-814003-XX |

| Description | Lamp | Brightness | Typical lamp life | Part number |
|--------------|-------|---|-----------------------------|---------------|
| CDXL 60 Lamp | 6.0kW | 32,500 ANSI lumens (35,000 center lumens) | 1000 hrs (750 hrs at 6.6kW) | 003-000601-XX |
| CDXL 45 Lamp | 4.5kW | 27,000 ANSI lumens (29,000 center lumens) | 900 hrs | 003-000600-XX |
| CDXL 30 Lamp | 3.0kW | 18,000 ANSI lumens (19,500 center lumens) | 2500 hrs | 003-000599-XX |
| CDXL 20 Lamp | 2.0kW | 12,000 ANSI lumens (13,000 center lumens) | 3500 hrs | 003-000598-XX |



▲ The spectacular opening of Atlantis, The Palm – situated on Dubai’s luxurious man-made island of Palm Jumeirah in Dubai – took the form of a pageant that told the story of Atlantis, the lost city. The content was projected in high definition by 42 Christie Roadie and 10 Christie Roadster projectors.



▲ Rigging frame 38-814007-XX
For rigging or “flying” in a suspended installation, and/or for stacking two projectors together.



▲ Rigging clamps 113-102-101-XX
Clamps can be used on the rigging frame or directly on the Christie Roadie HD+35K.

Christie Twist 108-103101-XX

Christie Twist enables seamless white and black level edge-blending of multiple curved images, faster and more easily than through traditional, manual methods. Controlled by an easy-to-use GUI, you can expertly control and edge blend or stack multiple curved images to fit virtually any dimension or shape display. Available as an option, Christie Twist ensures that Christie Roadie HD+35K projectors work with value-added accessories, such as Christie AutoStack.

Allows warping, blending and masking of projectors with up to a 10 x 10 grid

Additional functions: edge blending with curved edge contours, anti-aliasing filtering, sharpness filtering

Display control points and warp lines on projector – a test pattern is generated in the projector that shows the warp grid and identifies the warp control points

Add, delete, copy and paste multiple warps, blends and masks on a single projector

Control up to six projectors from any PC via Ethernet or RS-232 using the Christie Twist virtual remote

Christie AutoStack 108-308101-XX

Set up professional quality, multiple-projector displays in just minutes. Christie AutoStack is a vision-based solution that enables you to stack and blend projector arrays in a fraction of the time it takes to do manually. It is available for any 3-chip DLP projector equipped with Christie Twist.

Up to 12 stacked and blended projectors can be automatically calibrated with unsurpassed accuracy, in as little as two minutes per projector. The software-driven, camera-based system supports various screen sizes and aspect ratios, using screen points for quick geometric calibration.

Christie AutoStack provides the opportunity to include complex projector arrays in both rental staging and fixed install applications without increasing time, labor or resources. Now, professional-quality results can be achieved with minimal experience required, enabling you to use multiple projection arrays for impact, brightness or redundancy.

Blend and stack a typical 2 x 2 configuration in approximately eight minutes (two minutes per projector)

Intuitive user interface with real-time camera feedback

Supports up to 2 x 3 blended and stacked configurations for a total of 12 projectors

Rugged, high-resolution, industrial charge-coupled device (CCD) camera

Ships standard with rugged travel carrying case



▲ Separate projection head and switching lamp ballast provide handling and rigging/installation flexibility. The separate units enable smaller, lighter, more manageable parts.



▲ The ballast can be stored up to 100ft away from the projection head (cable kit dependent).



▲ A cable kit is used to connect the 7kW switching lamp ballast to the projection head for greater installation flexibility. Cable kits are available in 6-, 25-, 50- and 100-foot lengths.



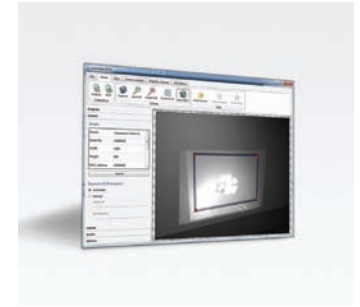
▲ Christie Twist module enables edge blending of multiple curved images.



▲ Christie AutoStack camera and software.



▲ Christie AutoStack easy-to-use interface.



▲ The Christie AutoStack system supports various screen sizes and aspect ratios, using screen points for quick geometric calibration.

- ▶ In 2008, international beer label, SKOL, commissioned a spectacular display of artistic images on a 100-foot diameter Ferris wheel on Rio de Janeiro's famous Copacabana Beach. The project, entitled "Olhar Redondo" (translated as "look around") and a tribute to Rio's patron saint, Saint Sebastian, received the "Most Innovative Use of Technology for an Outdoor Event" title presented during the 2009 InfoComm/LSA Staged Events Awards.

Known for their high brightness and rugged design, stacked Christie Roadie projectors illuminated the Ferris wheel, located more than 154 feet away. The projectors rested on a 39-foot scaffolding tower constructed to resist the area's high winds, which can reach up to 80 mph.

Christie projectors were selected for this display because of our excellent customer support record and the exceptional ruggedness and reliability of our products.

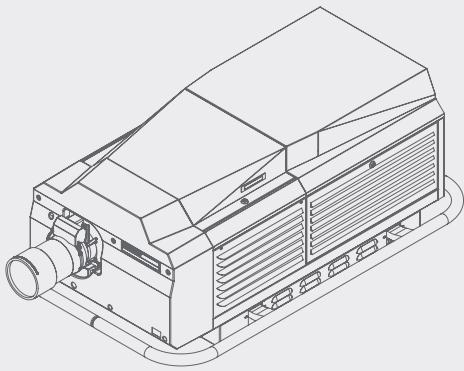
Photo courtesy of Jose Roberto Couto.



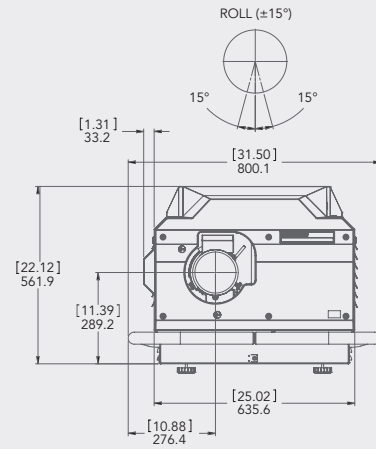
| Christie Roadie HD+35K | | |
|--|-------------------|---|
| Image | brightness | <ul style="list-style-type: none"> • 32,500 ANSI lumens (35,000 Center lumens) – 6.0kW Lamp • 27,000 ANSI lumens (29,000 Center lumens) – 4.5kW Lamp • 18,000 ANSI lumens (19,500 Center lumens) – 3.0kW Lamp • 12,000 ANSI lumens (13,000 Center lumens) – 2.0kW Lamp |
| | contrast | • 2000:1 (full on/off) |
| | uniformity | • 90% brightness uniformity |
| Display technology | type | • 3-chip 1.25" DMD |
| | native resolution | • DC2K (2048 x 1080) |
| Lamp | type | • Xenon bubble ¹ |
| | estimated life | • 6.0kW 1000 hrs (750 hrs @ 6.6kW) • 4.5kW 900 hrs • 3.0kW 2500 hrs • 2.0kW 3500 hrs |
| Input | signals | • HDTV formats VGA through to QXGA (2048 x 1536) • Accepts all current HDTV/DTV formats • Multi-standard video decoder • Horizontal and vertical scaling, all inputs |
| | pixel clock | • 210 MHz |
| | scan rates | • Horizontal: 15kHz-120kHz • Vertical: 23.97-150Hz |
| Inputs/outputs, control and networking | | <ul style="list-style-type: none"> • RGBHV/YPbPr: 5 BNC • DVI-I Analog / Digital RGB/YPbPR (HDCP) • S-video • Composite video • 2 RS-232 ports • 3 RS-422 ports • GPIO port • Ethernet (10/100) RJ45 with ChristieNET connectivity • Built-in backlit LCD keypad • Front and rear IR receivers • 2 input slots for analog/digital modules |
| Lense mount | type | • Tool-free lens insertion system • Boresight adjustable |
| | motorized | • Horizontal and vertical offset • Focus • Zoom |
| Lenses | fixed | • 0.8:1* • 1.1:1** |
| | zoom | • 1.25-1.45:1*** • 1.45-1.8:1**** • 1.8-2.4:14**** • 2.2-3.0:14**** • 3.0-4.3:14**** • 4.3-6.0:1**** • 5.5-8.5:1**** |
| | offsets | <ul style="list-style-type: none"> • *Vertical: ±45 degrees, Horizontal: ±15 degrees • **Vertical: ±74 degrees, Horizontal: ±21 degrees • ***Vertical: ±100 degrees, Horizontal: ±35 degrees • ****Vertical: ±53 degrees, Horizontal: ±17 degrees |
| Accessories | standard | <ul style="list-style-type: none"> • Dual SD/HD-SDI input card • Detached 7kW switching lamp ballast • IR Remote keypad (with optional wired connection) • Line cord • 6-foot ballast cable • Handles for carrying and rigging • User manual |
| | optional | <ul style="list-style-type: none"> • Input cards – DVI, Dual SD/HD-SDI • Christie Twist • Remote IR sensor • Wired remote control • Rigging frame • Rigging clamps • Lamp safety kit • High contrast aperture kits • 6-, 25-, 50-, or 100-foot ballast cable kit • Service manuals • Christie KoRE™ 10-bit librarian software • Filter replacement packs • Christie AutoStack portrait upgrade kit for existing models |
| Power requirements | projector head | <ul style="list-style-type: none"> • Operating voltage: Single phase 200-240 VAC @50/60Hz • Operating current: 3A max |
| | ballast | <ul style="list-style-type: none"> • Type: Detached 7kW switching lamp ballast • Operating voltage: 3-phase 200-230 VAC @ 50/60Hz • Operating current: 24A per phase max • Operating voltage: 3-phase 380-415 VAC @ 50/60Hz • Operating current: 16A per phase max |
| Dimensions | size | <ul style="list-style-type: none"> • Projector head (LxWxH): 53.6 x 31.5 x 22.8" (1362 x 800 x 577mm) • Ballast (LxWxH): 21 x 18 x 21" (533 x 457 x 533mm) • Optional rigging frame (LxWxH): 59.4 x 33.5 x 25.7" (1510 x 851 x 653mm) |
| | shipping size | <ul style="list-style-type: none"> • Projector head (LxWxH): 65 x 41 x 35" (1650 x 1040 x 890mm) • Ballast (LxWxH): 28 x 25 x 31.5" (710 x 635 x 800mm) • Optional rigging frame (LxWxH): 54 x 32 x 10" (1372 x 813 x 254mm) |
| | weight | • Projector head 360lbs (163kg) • Ballast 110lbs (50kg) • Optional rigging frame 110lbs (50kg) |
| | shipping weight | • Projector head 460lbs (209kg) • Ballast 145lbs (66kg) • Optional rigging frame 166lbs (75kg) |
| Operating environment | | • Temperature: 40-95°F (5-35°C) • Humidity: 20-80% non-condensing |
| Regulatory approvals | | <ul style="list-style-type: none"> • This product conforms to all relevant European directives, standards, safety, health and environmental concerns • UL/CSA/IEC 60950 (3rd edition) • FCC Class A, CE • RoHS, WEEE |
| Limited warranty | | <ul style="list-style-type: none"> • Three years parts and labor (including light engine) • Contact an authorized Christie representative for full details of our limited warranty |

¹ User-replaceable bulb

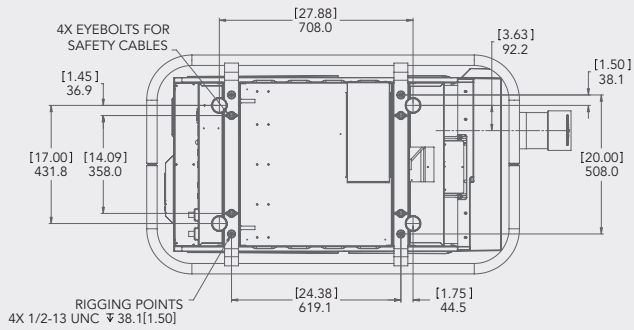
Angle view



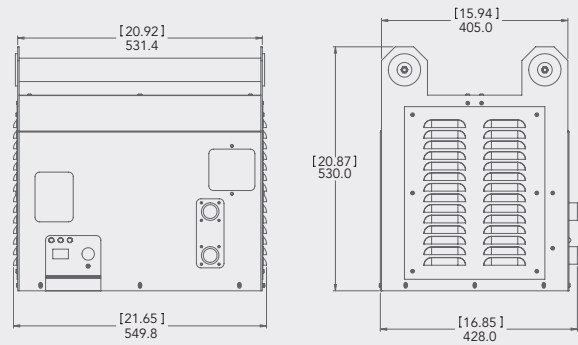
Front view



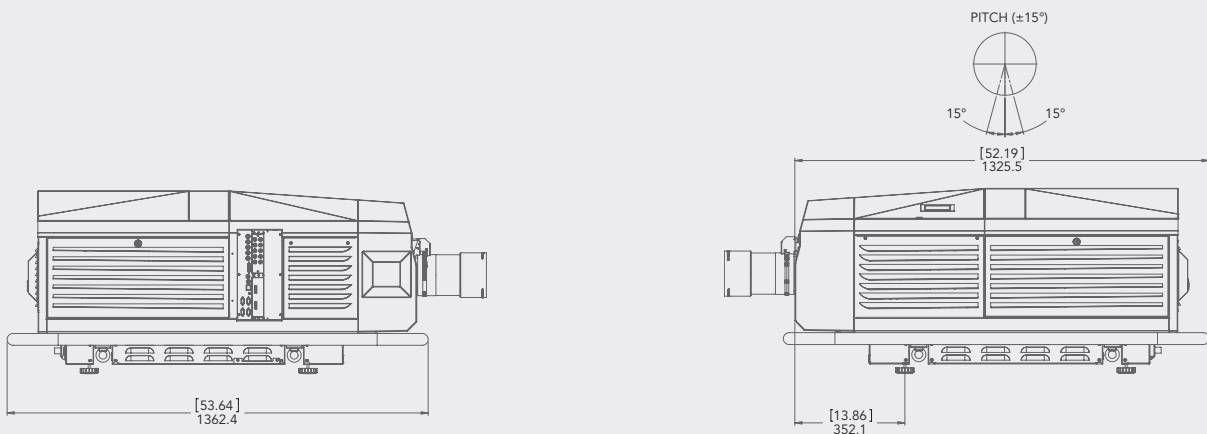
Bottom view



7kW Switching ballast



Side views



Corporate offices

Christie Digital Systems USA, Inc
USA – Cypress
ph: 714 236 8610

Christie Digital Systems Canada Inc.
Canada – Kitchener
ph: 519 744 8005

Independent sales consultant offices

Italy
ph: +39 (0) 2 9902 1161

South Africa
ph: +27 (0) 317 671 347

Worldwide offices

United Kingdom
ph: +44 (0) 118 977 8000

Germany
ph: +49 2161 664540

France
ph: +33 (0) 1 41 21 44 04

Spain
ph: +34 91 633 9990

Eastern Europe and
Russian Federation
ph: +36 (0) 1 47 48 100

United Arab Emirates
ph: +971 (0) 4 299 7575

India
ph: (080) 41468940

Singapore
ph: +65 6877 8737

China (Shanghai)
ph: +86 21 6278 7708

China (Beijing)
ph: +86 10 6561 0240

Japan (Tokyo)
ph: 81 3 3599 7481

Korea (Seoul)
ph: +82 2 702 1601



ISO 9001
ISO 14001

Kitchener, Ontario



For the most current specification information, please visit www.christiedigital.com



Copyright 2011 Christie Digital Systems USA, Inc. All rights reserved. All brand names and product names are trademarks, registered trademarks or tradenames of their respective holders. Christie Digital Systems Canada Inc.'s management system is registered to ISO 9001 and ISO 14001. Performance specifications are typical. Due to constant research, specifications are subject to change without notice. Printed in Canada on recycled paper. 3112 Oct 11

CHRISTIE®