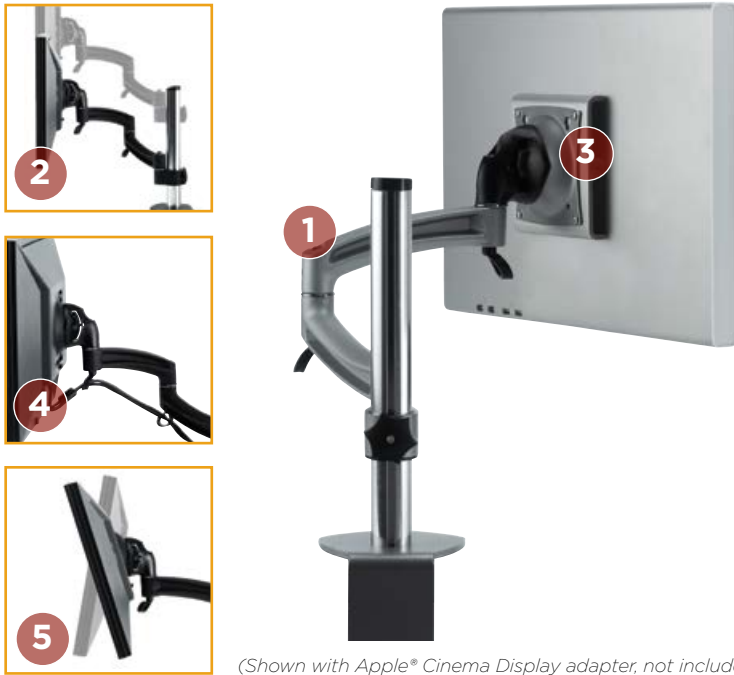




COLUMN CLAMP MOUNTS K2C100 ■ SWIVEL, SINGLE MONITOR

KONTOUR™ SERIES



FEATURES

- 1 HEAVY DUTY DESIGN**
Sleek, solidly constructed forged aluminum arms.
- 2 HEIGHT ADJUSTMENT**
Mounting arm slides vertically along column for ideal positioning.
- 3 FAST INSTALLATION**
Tear-drop hole pattern for easy mounting and maintenance.
- 4 CABLE MANAGEMENT**
Tool-free cable management guide clips for a clean, professional look.
- 5 CENTRIS™ TURN-TILT TILT PATENTED FEATURE**
Tilts ±15° for a flexible ergonomic solution.

WHAT YOU NEED TO KNOW

INSTALLING THE MONITOR MOUNT

The mounting surface thickness must be between 0.5 – 3.25" (12 – 82 mm).

MOUNTING PATTERNS

Compatible with 75 x 75 mm and 100 x 100 mm VESA® patterns.

OTHER PRODUCT OPTION



K2C200
Swivel Column Mount, Dual Monitor

SPECIFICATIONS

Depth from Back of Desk	2.98" (76 mm)
Max. Extension	19.2" (490 mm)
Tilt	±15°
Height Assist	9.63" (245 mm)
Weight Capacity	40 lbs (18.1 kg)
Colors	Black, Silver

RECOMMENDED ACCESSORIES

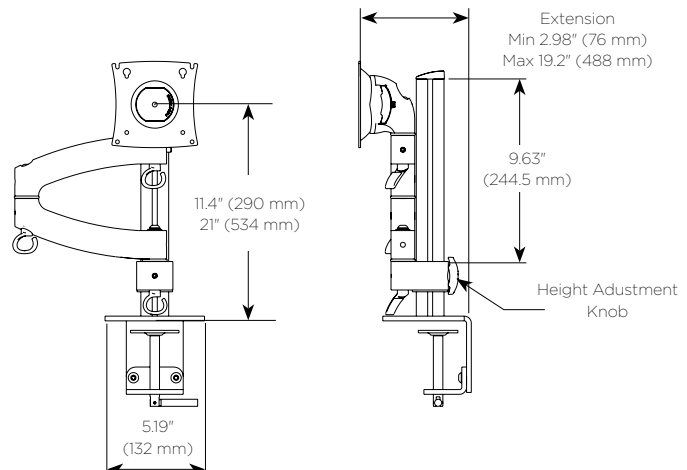


KRA204 ■ Column Clamp Grommet Accessory



FSBI2B ■ K2 Series iPad® Interface Bracket

TECHNICAL DRAWINGS



For a complete list of monitor mount accessories see page 121.